

Ficha técnica :

AGRICULTURAL MULTIFUNCTION GRAB BUCKET - FO



Customer benefits

- Robust and versatile bucket suitable for dairy use and different agricultural applications.
- Complete opening >90° and powerful jaw allows working flush with walls.
- Perfect for handling wet manure, silage...
- Must-have tool for livestock farm.

Technical characteristics

- Forged teeth -FO.
- Handling materials with a density $\leq 1000 \text{ kg/m}^3$ / 62 lb/ft³.
- Dismountable sides, spill guard and 500 HB bolt-on cutting edge standard.
- Reinforced structure (base, blade and grab).
- Nitritized cylinders, all pins with "construction type" mounting.

[The 3D picture at the top of this page is the reference BG 2450 / 1700 FO - 52549810].

| Technical characteristics | | BG 1500 / 850 FO | BG 1850 / 1050 FO | BG 2100 / 1200 FO | BG 2300 / 1350 FO | BG 2450 / 1400 FO | BG 2450 / 1700 FO |
|------------------------------------|-----|------------------|-------------------|-------------------|-------------------|-------------------|-------------------|
| Distance to center of gravity (mm) | | 421 | 435 | 396 | 408 | 407 | - |
| Capacities | | | | | | | |
| Capacity (kg) | | 850 | 1059 | 1200 | 1335 | 1426 | 1695 |
| Heaped capacity (l) | | 850 | 1059 | 1200 | 1335 | 1426 | 1695 |
| Struck capacity (l) | | 521 | 650 | 740 | 813 | 868 | 1150 |
| Weight | | | | | | | |
| Overall weight (kg) | | 560 | 636 | 720 | 763 | 803 | 870 |
| Weight and dimensions | | | | | | | |
| Overall length (mm) | l1 | 1238 | 1263 | 1256 | 1256 | 1256 | 1367 |
| Width (mm) | | 1500 | 1850 | 2100 | 2300 | 2450 | 2450 |
| Closed grab height (mm) | h33 | 1039 | 1033 | 1033 | 1031 | 1033 | 1124 |
| Opened grab height (mm) | h34 | 1675 | 1675 | 1675 | 1675 | 1675 | 1886 |
| Working Parameters | | | | | | | |
| Machine Equipment | | | | | | | |
| Teeth | | 6 | 7 | 8 | 9 | 10 | 11 |
| Fork spread minimum (mm) | b5 | 265 | 265 | 263 | 255 | 242 | 219 |
| Fork spread maximum (mm) | b5 | 266 | 265 | 263 | 255 | 244 | 219 |
| Other Data for Attachments | | | | | | | |
| Bolted wearplate (LDR) | | Standard | Standard | Standard | Standard | Standard | Standard |
| Wear plate hardness | | 500 | 500 | 500 | 500 | 500 | 500 |

| Compatibilidad de la máquina | BG 1500 / 850 FO | BG 1850 / 1050 FO | BG 2100 / 1200 FO | BG 2300 / 1350 FO | BG 2450 / 1400 FO | BG 2450 / 1700 FO |
|---------------------------------|------------------|-------------------|-------------------|-------------------|-------------------|-------------------|
| Reference number | 52651958 | 52647327 | 52647329 | 52647331 | 52647333 | 52549810 |
| Skid Steer Camage reference | 52651957 | - | - | - | - | - |
| ALT950 | - | - | - | X | X | X |
| MLA-T 533-145 V+ - ST5 | - | - | - | X | X | X |
| MLT 420-60 H | X | - | - | - | - | - |
| MLT 625-75 H | - | X | - | - | - | - |
| MLT 630-115 | - | - | X | X | X | X |
| MLT 630-115 V | - | - | X | X | X | X |
| MLT 630-115 V CP | - | - | X | X | X | X |
| MLT 635-130 PS+ | - | - | - | - | X | X |
| MLT 635-140 V+ | - | - | - | - | X | X |
| MLT 730-115 V | - | - | X | X | X | X |
| MLT 730-115 V CP | - | - | X | X | X | X |
| MLT 733-115 LSU | - | - | - | - | X | X |
| MLT 737-130 PS+ | - | - | - | - | X | X |
| MLT 741-130 PS+ | - | - | - | - | X | X |
| MLT 741-140 V+ | - | - | - | - | X | X |
| MLT 841-145 PS+ | - | - | - | - | X | X |
| MLT 850-145 V+ | - | - | - | - | - | X |
| MLT 940-140 V+ | - | - | - | - | X | X |
| MLT 1041-145 PS+L | - | - | - | - | X | X |
| MLFX 625-75 H | - | X | - | - | - | - |
| MLFX 732 | - | - | - | - | X | - |
| MLFX 735 T LSU | - | - | - | - | X | X |
| MLFX 737-130 PS+ | - | - | - | - | X | X |
| MLFX 741 T LSU | - | - | - | - | X | X |
| MLFX 841 - 145 PS+ | - | - | - | - | X | X |
| MLFX 850-145 V+ | - | - | - | - | - | X |
| MLFX 1041-145 PS+L | - | - | - | - | X | X |
| MLT 630-105 ST4 OLD | - | - | X | X | X | X |
| MLT 630-105 V CP ST4 OLD | - | - | X | X | X | X |
| MLT 630-105 V ST4 OLD | - | - | X | X | X | X |
| MLT 635-130 PS+ ST4 OLD | - | - | - | - | X | X |
| MLT 635-140 V+ ST4 OLD | - | - | - | - | X | X |
| MLT 730-115 V CP ST4 OLD | - | - | X | X | X | X |
| MLT 730-115 V ST4 OLD | - | - | X | X | X | X |
| MLT 733-115 OLD | - | - | - | - | X | X |
| MLT 733-115 LSU ST4 OLD | - | - | - | - | X | X |
| MLT 733-115 ST4 OLD | - | - | - | - | X | X |
| MLT 737-130 PS+ ST4 OLD | - | - | - | - | X | X |
| MLT 741-140 V+ ST4 OLD | - | - | - | - | X | X |
| MLT 840-145 PS+ OLD | - | - | - | - | X | X |
| MLT 845-100 H OLD | - | - | - | - | X | X |
| MLT 845-120 OLD | - | - | - | - | X | X |
| MLT 940-140 V+ ST4 OLD | - | - | - | - | X | X |
| MLT 1040-145 PS+ L OLD | - | - | - | - | X | X |
| MLFX 737-130 PS+ OLD | - | - | - | - | X | X |
| MLFX 741-140 V+ S1 OLD | - | - | - | - | X | X |
| MLFX 840-140 PS+ OLD | - | - | - | - | X | X |
| MLFX 1040-140 PS+ L OLD | - | - | - | - | X | X |

| TABLA DE SÍMBOLOS | | | | | |
|-------------------|-------------------------------|--|------------------|--|--|
| | No se requiere predisposición | | Línea hidráulica | | Retorno al depósito de aceite hidráulico |



Predisposición eléctrica

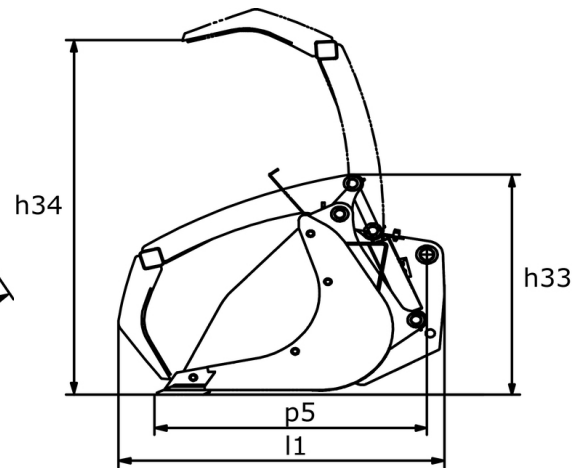
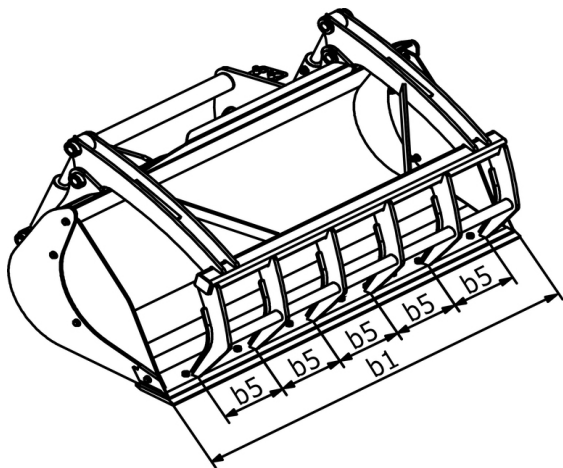


Predisposición de la plataforma



Predisposición manipulador de neumáticos, de cilindros

Agricultural Multifunction Grab Bucket - F0 - Diagrama dimensional





Oficina Central

B.P. 249 - 430 rue de l'Aubinière

44150 Ancenis Cedex - Francia

Tel.: 00 33 (0)2 40 09 10 11 - Fax: 00 33 (0)2 40 09 10 97

www.manitou.com



Esta publicación describe las versiones y posibilidades de configuración de los productos Manitou que puedan diferir en equipamiento. Los equipamientos presentados en este folleto pueden ser de serie, opcionales o no estar disponibles en algunas versiones. Manitou se reserva el derecho, en cualquier momento y sin previo aviso, de modificar las especificaciones descritas y representadas. Las especificaciones aportadas no comprometen al fabricante. Para más información, póngase en contacto con su concesionario Manitou. Documento no contractual. Presentación de los productos no contractual. Lista de especificaciones no exhaustiva. Los logos y la identidad visual de la empresa son propiedad de Manitou y no pueden ser utilizados sin autorización. Todos los derechos reservados. Las fotos y los esquemas contenidos en este folleto se ofrecen para consulta y a título indicativo solamente.

Manitou BF SA - Sociedad anónima con Consejo de Administración - Capital social: 39 668 399 euros - 857 802 508 RCS Nantes