

Ficha técnica :

120 SE S3



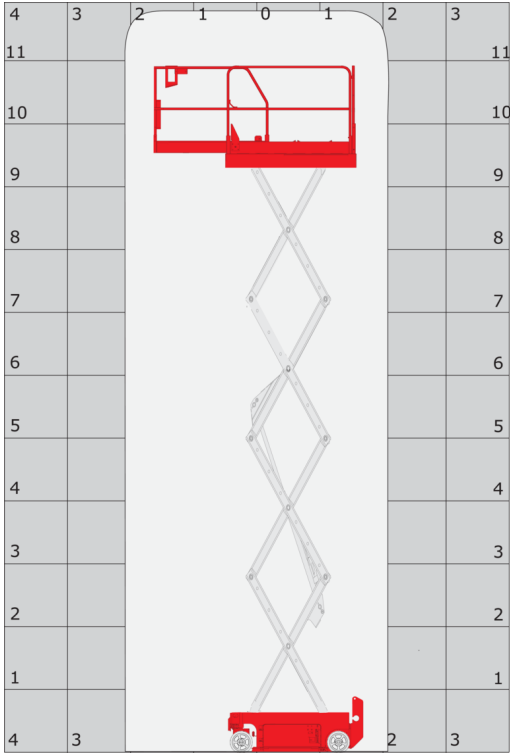
 **MANITOU**
HANDLING YOUR WORLD

| Capacities | | Métrico |
|--|---------|--|
| Working height | h21 | 11.78 m |
| Working height maximum (indoor) | h21 | 11.78 m |
| Working height maximum (outdoor) | h21' | 8.71 m |
| Platform height maximum (indoor) | h7 | 9.78 m |
| Platform height maximum (outdoor) | h7' | 6.71 m |
| Platform capacity | Q | 318 kg |
| Max. capacity on the extension deck | | 113 kg |
| Number of people (indoor / outdoor) | | 2 / 1 |
| Weight and dimensions | | |
| Platform weight* | | 2367 kg |
| Platform dimensions (length x width) | lp / ep | 2.26 m x 1.16 m |
| Platform dimensions with extension (length x width) | | 3.18 m x 1.16 m |
| Overall length | l1 | 2.44 m |
| Overall width | b1 | 1.18 m |
| Overall height | h17 | 2.43 m |
| Overall height (stowed) | h18 *** | 1.82 m |
| Internal turning radius / External turning radius | Wa3 | 0 mm/2.29 m |
| Ground clearance with pothole guards deployed | m6 | 0.02 m |
| Ground clearance with pothole guards folded | m2 | 0.12 m |
| Ground clearance at centre of wheelbase | m2 | 0.12 m |
| Wheelbase | y | 1.85 m |
| Performances | | |
| Drive speed - stowed | | 4 km/h |
| Drive speed - raised | | 0.80 km/h |
| Raise speed (laden) / Lower speed (laden) | | 53 s / 34 s |
| Gradeability | | 25 % |
| Indoor and outdoor max Tilt Rating (Fore and Aft / Side-to-Side) | | 3 ° / 1.50 ° |
| Wheels | | |
| Tires type | | Non marking |
| Standard tires | | 380 x 130 mm |
| Drive wheels (front / rear) | | 2 / 0 |
| Steering wheels (front / rear) | | 2 / 0 |
| Braking wheels (front / rear) | | 2 / 0 |
| Engine/Battery | | |
| Battery voltage | | 6 V |
| Battery capacity | | 225 Ah |
| Battery energy | | 5 kWh |
| On-board charger (V / A) | | 24 V / 20 A |
| Miscellaneous | | |
| Ground Pressure | | 10.26 dan/cm2 |
| Hydraulic tank capacity | | 15.10 l |
| Noise to environment (LwA) | | < 70 dB |
| Vibration on hands/arms | | < 0.50 m/s ² |
| Standards compliance | | |
| This machine is in compliance with: | | European directives: 2006/42/EC- Machinery (revised EN280:2013) - 2004/108/EC (EMC) - 2006/95/EC (Low voltage) |

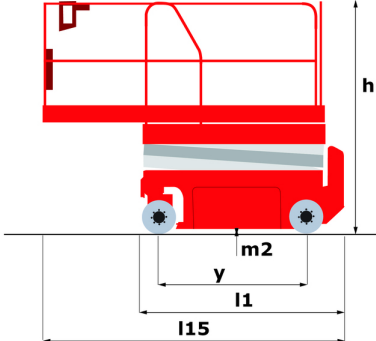
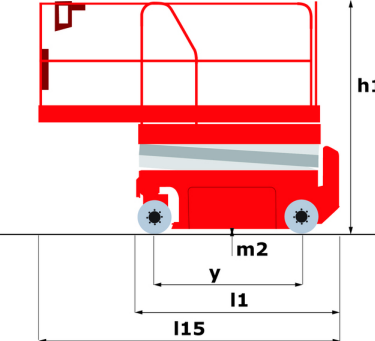
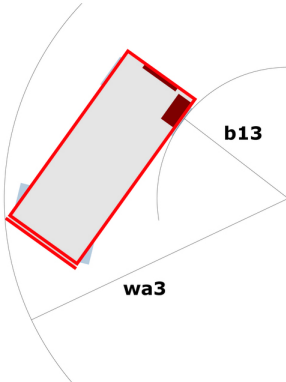
*Varies according to options and standards of the country to which the machine is delivered

120 SE S3 - Diagramas de carga

Load Chart metric



120 SE S3 - Diagrama dimensional



Equipamiento

Estándar

2 flashing LED beacons
2 swing out component trays (hydraulic/electric)
220V predisposition in the platform
Anti-slip platform surface
Audible alarm and illuminated indicator lamp (leveling, overload, lowering)
Battery charge indicator lamp
CAN bus technology
Descent alarm
Emergency stop
Emergency stop button in platform and on frame
Folding rails
Hom in the platform
Hour meter
Integrated diagnostic assistance
Load management according to environment (indoor/outdoor)
Manual emergency lowering
Multi-voltage integrated charger
Non-marking rubber tyres
Platform access gate
Pothole protection with automatic operation
Side and rear forklift pockets

Opcional

Biodegradable oil
Cold weather protection oil
Safety harness



Oficina Central

B.P. 249 - 430 rue de l'Aubinière

44150 Ancenis Cedex - Francia

Tel.: 00 33 (0)2 40 09 10 11 - Fax: 00 33 (0)2 40 09 10 97

www.manitou.com



Esta publicación describe las versiones y posibilidades de configuración de los productos Manitou que puedan diferir en equipamiento. Los equipamientos presentados en este folleto pueden ser de serie, opcionales o no estar disponibles en algunas versiones. Manitou se reserva el derecho, en cualquier momento y sin previo aviso, de modificar las especificaciones descritas y representadas. Las especificaciones aportadas no comprometen al fabricante. Para más información, póngase en contacto con su concesionario Manitou. Documento no contractual. Presentación de los productos no contractual. Lista de especificaciones no exhaustiva. Los logos y la identidad visual de la empresa son propiedad de Manitou y no pueden ser utilizados sin autorización. Todos los derechos reservados. Las fotos y los esquemas contenidos en este folleto se ofrecen para consulta y a título indicativo solamente.

Manitou BF SA - Sociedad anónima con Consejo de Administración - Capital social: 39 668 399 euros - 857 802 508 RCS Nantes