

Technical sheet :

# 1350R NXT2

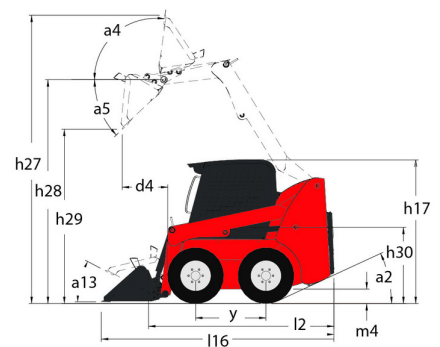
---



 **MANITOU**  
HANDLING YOUR WORLD

Capacities		Metric
Rated Operating Capacity		612 kg
Rated Operating Capacity with Optional Counterweight		680 kg
Unladen weight		2384 kg
Weight and dimensions		
Overall Operating Height - Fully Raised	h27	3670 mm
Height to Hinge Pin "Fully Raised	h28	2794 mm
Overall Height to top of ROPS	h17	1930 mm
Dump angle at full height	a5	40 °
Dump height	h29	2123 mm
Overall length with bucket	l16	3076 mm
Dump reach - Full height	r6	584 mm
Rollback at ground	a13	28 °
Seat to ground height	h30	871 mm
Wheelbase	y	950 mm
Overall width less bucket	b1	1364 mm
Bucket Width	e1	1372 mm
Ground clearance	m4	203 mm
Overall length - Less Bucket	l2	2360 mm
Departure angle	a2	25 °
Clearance Radius - Front with Bucket	b18	1842 mm
Clearance Circle - Front without Bucket	b19	1120 mm
Clearance Circle - Rear	wa1	1372 mm
Performances		
Travel speed (unladen)		12.90 km/h
Wheels		
Standard tires		10 x 16.5 - 10 PR HD
Engine		
Engine brand		Yanmar
Engine model		4TNV88C-KMS
Engine norm		Stage V, Tier 4
Gross Power		34.30 kW
Max. torque / Engine rotation		146.20 Nm / 2800 rpm
Power source		Diesel
I.C. Engine power rating		46 Hp
Battery voltage		12 V
Alternator		100 kW
Starter		2.30 kW
Hydraulics		
Standard flow - Auxiliary hydraulics		63.60 l/min
Auxiliary Hydraulic Pressure		207 bar
Tank capacities		
Fuel tank		59.40 l
Hydraulic tank capacity		34.80 l
Displacement		2.20 l
Liquid cooling tank volume		7.90 l
Noise and vibration		
Noise to environment (LwA)		82 dB
Noise at driving position (LpA)		100 dB
Whole-Body Vibration (ISO 2631-1)		0.81 m/s <sup>2</sup>
Vibration on hands/arms		< 1.90 m/s <sup>2</sup>

### 1350R NXT2 - Dimensional drawing





**Head Office**

B.P. 249 - 430 rue de l'Aubinière

44150 Ancenis Cedex - France

Tel: +33 (0)2 40 09 10 11 - Fax: +33 (0)2 40 09 10 97

[www.manitou.com](http://www.manitou.com)



This publication provides a description of the configuration versions and options for Manitou products, which may differ for equipment. The equipment presented in this brochure may be part of a series, as an option, or it may not be available, depending on the versions. Manitou reserves the right, at any time and without notice, to amend the specifications described and represented. The specifications provided do not bind the manufacturer. For more details, please contact your Manitou agent. This is not a contractually binding document. The presentation of the products is not contractually binding. List of specifications non-exhaustive. The logos as well as the visual identity of the company are owned by Manitou and cannot be used without authorisation. All rights reserved. The photos and diagrams contained in this brochure are only provided for consultation and information purposes.

MANITOU BF SA - Limited company with board of directors - Share capital: 39,668,399 euros - 857 802 508 RCS Nantes