

Technical sheet :

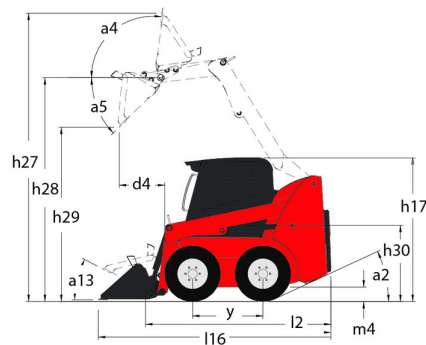
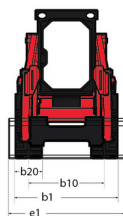
1350R NXT2



 **MANITOU**
HANDLING YOUR WORLD

Capacities		Imperial
Rated Operating Capacity		1349 lb
Rated Operating Capacity with Optional Counterweight		1499 lb
Unladen weight		5256 lb
Weight and dimensions		
Overall Operating Height - Fully Raised	h27	144 in
Height to Hinge Pin - Fully Raised	h28	110 in
Overall Height to top of ROPS	h17	76 in
Dump angle at full height	a5	40 °
Dump height	h29	84 in
Overall length with bucket	l16	121 in
Dump reach - Full height	r6	23 in
Rollback at ground	a13	28 °
Seat to ground height	h30	34 in
Wheelbase	y	37 in
Overall width less bucket	b1	54 in
Bucket Width	e1	54 in
Ground clearance	m4	8 in
Overall length - Less Bucket	l2	93 in
Departure angle	a2	25 °
Clearance Radius - Front with Bucket	b18	73 in
Clearance Circle - Front without Bucket	b19	44 in
Clearance Circle - Rear	wa1	54 in
Performances		
Travel speed (unladen)		8 mph
Wheels		
Standard tires		10.00x16.5 HD
Engine		
Engine brand		Yanmar
Engine model		4TNV88C-KMS
Engine norm		Stage V, Tier 4
Gross Power		34.30 kW
Max. torque / Engine rotation		108 ft/lbs / 2800 rpm
Power source		Diesel
I.C. Engine power rating		46 Hp
Battery voltage		12 V
Alternator		100 kW
Starter		2.30 kW
Hydraulics		
Standard flow - Auxiliary hydraulics		17 US gpm
Auxiliary Hydraulic Pressure		3002 PSI
Tank capacities		
Fuel tank		16 US gal
Reservoir Capacity Hydraulics		9 US gal
Displacement		0.58 US gal
Coolant system capacity		2 US gal
Noise and vibration		
Noise to environment (LwA)		82 dB
Noise at driving position (LpA)		100 dB
Whole-Body Vibration (ISO 2631-1)		0.81 m/s ²
Vibration to whole hand/arm		< 1.90 m/s ²

1350R NXT2 - Dimensional drawing





Head Office

B.P. 249 - 430 rue de l'Aubinière

44150 Ancenis Cedex - France

Tel: +33 (0)2 40 09 10 11 - Fax: +33 (0)2 40 09 10 97

www.manitou.com



This publication provides a description of the configuration versions and options for Manitou products, which may differ for equipment. The equipment presented in this brochure may be part of a series, as an option, or it may not be available, depending on the versions. Manitou reserves the right, at any time and without notice, to amend the specifications described and represented. The specifications provided do not bind the manufacturer. For more details, please contact your Manitou agent. This is not a contractually binding document. The presentation of the products is not contractually binding. List of specifications non-exhaustive. The logos as well as the visual identity of the company are owned by Manitou and cannot be used without authorisation. All rights reserved. The photos and diagrams contained in this brochure are only provided for consultation and information purposes.

MANITOU BF SA - Limited company with board of directors - Share capital: 39,668,399 euros - 857 802 508 RCS Nantes