

Technical sheet :

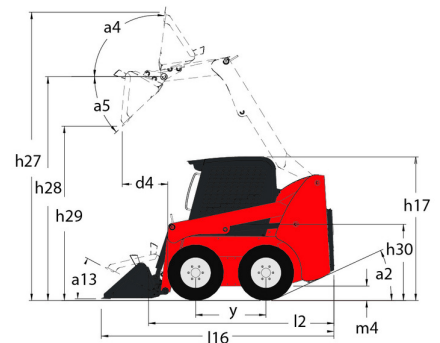
1800R



 **MANITOU**
HANDLING YOUR WORLD

| Capacities | | Metric |
|---|-----|----------------------|
| Rated Operating Capacity | | 817 kg |
| Unladen weight | | 2892 kg |
| Tipping capacity | | 1633 kg |
| Weight and dimensions | | |
| Wheelbase | y | 988 mm |
| Overall Operating Height - Fully Raised | h27 | 3876 mm |
| Height to Hinge Pin - Fully Raised | h28 | 3023 mm |
| Overall Height to top of ROPS | h17 | 1948 mm |
| Dump angle at full height | a5 | 38 ° |
| Dump height | h29 | 2379 mm |
| Overall length with bucket | l16 | 3139 mm |
| Dump reach - Full height | r6 | 579 mm |
| Rollback at ground | a13 | 28 ° |
| Rollback Angle at Full Height | a4 | 99 ° |
| Seat to ground height | h30 | 930 mm |
| Overall width less bucket | b1 | 1582 mm |
| Bucket Width | e1 | 1562 mm |
| Ground clearance | m4 | 160 mm |
| Overall length - Less Bucket | l2 | 2425 mm |
| Departure angle | a2 | 19 ° |
| Clearance Radius - Front with Bucket | b18 | 1869 mm |
| Rear departure angle | | 19 ° |
| Performances | | |
| Travel speed (unladen) | | 12.60 km/h |
| Wheels | | |
| Standard tires | | 10 x 16.5 - 10 PR HD |
| Engine | | |
| Engine brand | | Yanmar |
| Engine model | | 4TNV98-ZNMS3R1 |
| Engine norm | | iT4 |
| Gross Power | | 52.10 kW |
| Net Power | | 51.20 kW |
| Max. torque / Engine rotation | | 241 Nm / 2500 rpm |
| Power source | | Diesel |
| Number of cylinders | | 4 |
| Battery voltage | | 12 V |
| Accessory plug | | 12 V |
| Alternator - Ampere | | 100 A |
| Starter | | 3 kW |
| Hydraulics | | |
| Standard flow - Auxiliary hydraulics | | 71.40 l/min |
| Auxiliary Hydraulic Pressure | | 207 bar |
| Tank capacities | | |
| Fuel tank | | 62.50 l |
| Hydraulic tank capacity | | 41.60 l |
| Displacement | | 3319 mm ³ |
| LH Chain case | | 8.50 l |
| RH Chain case | | 8.50 l |

1800R - Dimensional drawing





Head Office

B.P. 249 - 430 rue de l'Aubinière

44150 Ancenis Cedex - France

Tel: +33 (0)2 40 09 10 11 - Fax: +33 (0)2 40 09 10 97

www.manitou.com



This publication provides a description of the configuration versions and options for Manitou products, which may differ for equipment. The equipment presented in this brochure may be part of a series, as an option, or it may not be available, depending on the versions. Manitou reserves the right, at any time and without notice, to amend the specifications described and represented. The specifications provided do not bind the manufacturer. For more details, please contact your Manitou agent. This is not a contractually binding document. The presentation of the products is not contractually binding. List of specifications non-exhaustive. The logos as well as the visual identity of the company are owned by Manitou and cannot be used without authorisation. All rights reserved. The photos and diagrams contained in this brochure are only provided for consultation and information purposes.

MANITOU BF SA - Limited company with board of directors - Share capital: 39,668,399 euros - 857 802 508 RCS Nantes