

Technical sheet :

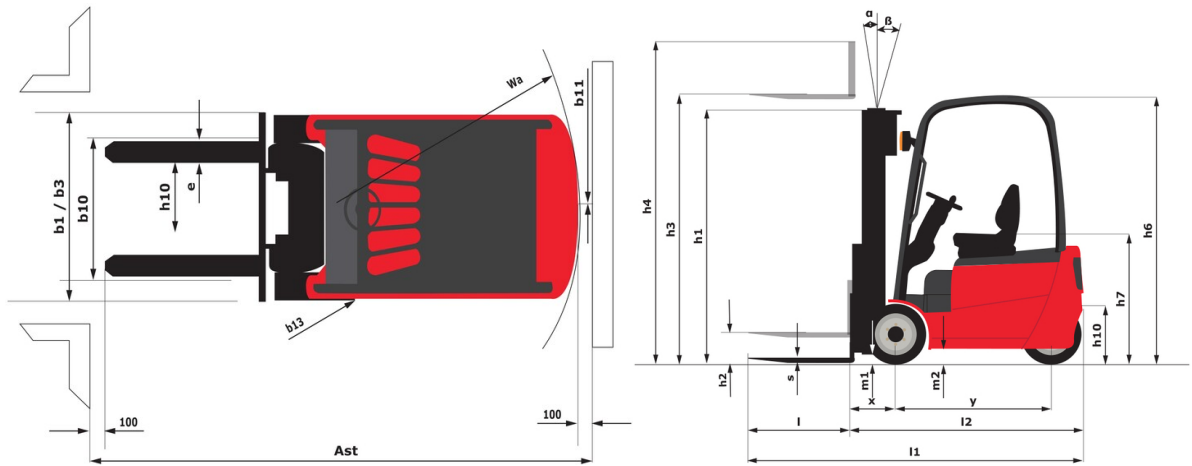
ME 315 C FOB



 **MANITOU**
HANDLING YOUR WORLD

| Technical characteristics | | Metric | |
|---------------------------|---|-----------|--------------------------|
| 1.1 | Manufacturer | | Manitou |
| 1.2 | Model Name | | ME 315 C FOB |
| 1.3 | Power source | | Electrical - Lead |
| 1.4 | Operator type | | Seated |
| 1.5 | Max. capacity | Q | 1500 kg |
| 1.6 | Load center of gravity | c | 500 mm |
| 1.8 | Load distance, centre of drive axle to fork | x | 365 mm |
| 1.9 | Wheelbase | y | 1220 mm |
| Weight | | | |
| 2.1 | Service weight | | 3000 kg |
| 2.2 | Weight on front axle (laden) / rear axle (laden) | | 3930 kg / 570 kg |
| 2.3 | Weight on front axle (Unladen) / rear axle (Unladen) | | 1370 kg / 1630 kg |
| Wheels | | | |
| 3.1 | Tires type | | Solid tires |
| 3.2 | Dimensions of front wheels | | 18x7-8 |
| 3.3 | Dimensions of rear wheels | | 200/50-10 |
| 3.5 | Number of front wheels / rear wheels | | 2 / 1 |
| 3.5.2 | Number of drive wheels | | 1 |
| 3.6 | Front wheel gauge | b10 | 835 mm |
| Dimensions | | | |
| 4.8 | Seat height/stand height | h7 | 1020 mm |
| 4.7 | Height of overhead guard (cabin) | h6 | 2105 mm |
| 4.12 | Height of towing bar (coupling height) | h10 | 500 mm |
| 4.19 | Overall length | l1 | 3015 mm |
| 4.20 | Length to face of forks | l2 | 1865 mm |
| 4.21 | Overall width | b1 | 990 mm |
| 4.22 | Forks section / width / length | s / e / l | 35 mm x 100 mm x 1150 mm |
| 4.23 | Fork carriage ISO 2328 (class/form) A/B | | 2A |
| 4.24 | Fork carriage width | b3 | 1000 mm |
| 4.31 | Ground clearance below mast | m1 | 100 mm |
| 4.32 | Ground clearance at centre of wheelbase | m2 | 100 mm |
| 4.33 | Aisle Width for pallets 1000 x 1200 crossways | Ast | 3201 mm |
| 4.34 | Aisle width for 800 x 1200 pallet lengthways | Ast | 3325 mm |
| 4.35 | Turning radius | Wa | 1510 mm |
| Performances | | | |
| 5.1 | Travel speed (laden / unladen) | | 9.50 km/h/10.50 km/h |
| 5.2 | Lifting speed (laden / unladen) | | 0.22 m/s-0.34 m/s |
| 5.3 | Lowering speed (laden / unladen) | | 0.58 m/s-0.48 m/s |
| 5.5 | Drawbar pull (Laden / Unladen) | | 500 daN / 530 daN |
| 5.7 | Gradeability (laden / unladen) | | 7 % / 9 % |
| 5.10 | Service brake | | Hydraulic |
| Engine | | | |
| 6.1 | Drive motor rating S2 60 min | | 4 kW |
| 6.3 | Battery according to DIN 43531/35/36 A, B, C | | DIN43535 A |
| 6.4 | Battery voltage / capacity | | 24 V / 840 Ah |
| 7.2 | Engine power (Hp / kW) | | 12 Hp/8.60 kW |
| 6.6 | Energy consumption according to VDI cycle (kWh/h) | | 3.50 kWh/h |
| Miscellaneous | | | |
| 8.1 | Type of drive control | | Electric |
| 8.2 | Working hydraulic pressure for attachments | | 145 bar |
| 8.3 | Oil flow rate for attachments | | 16 l/min |
| 8.4 | Measured/guaranteed mean noise level at the ear of the operator | | < 70 dB |
| 8.4 | Sound level at the driver's ear according to DIN 12 053 | | 40 dB |

ME 315 C FOB - Dimensional drawing





Head Office

B.P. 249 - 430 rue de l'Aubinière
44150 Ancenis Cedex - France

Tel: +33 (0)2 40 09 10 11 - Fax: +33 (0)2 40 09 10 97

www.manitou.com



This publication provides a description of the configuration versions and options for Manitou products, which may differ for equipment. The equipment presented in this brochure may be part of a series, as an option, or it may not be available, depending on the versions. Manitou reserves the right, at any time and without notice, to amend the specifications described and represented. The specifications provided do not bind the manufacturer. For more details, please contact your Manitou agent. This is not a contractually binding document. The presentation of the products is not contractually binding. List of specifications non-exhaustive. The logos as well as the visual identity of the company are owned by Manitou and cannot be used without authorisation. All rights reserved. The photos and diagrams contained in this brochure are only provided for consultation and information purposes.

MANITOU BF SA - Limited company with board of directors - Share capital: 39,668,399 euros - 857 802 508 RCS Nantes