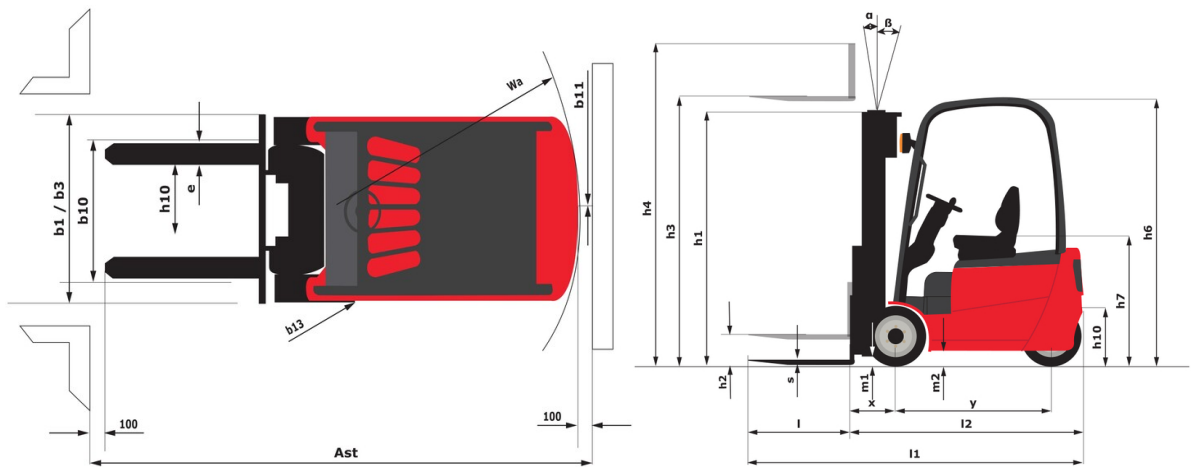
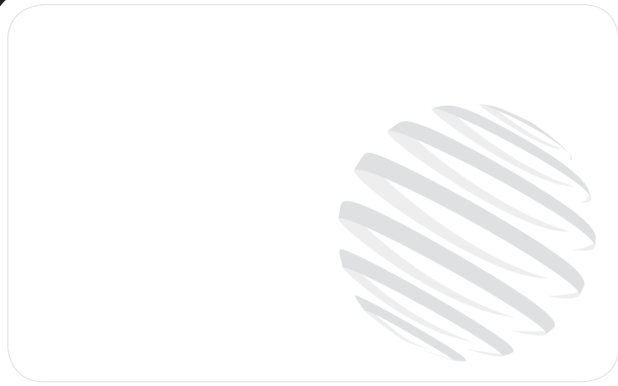




 **MANITOU**  
HANDLING YOUR WORLD







 **MANITOU**  
**HANDLING YOUR WORLD**

