

Technical sheet :

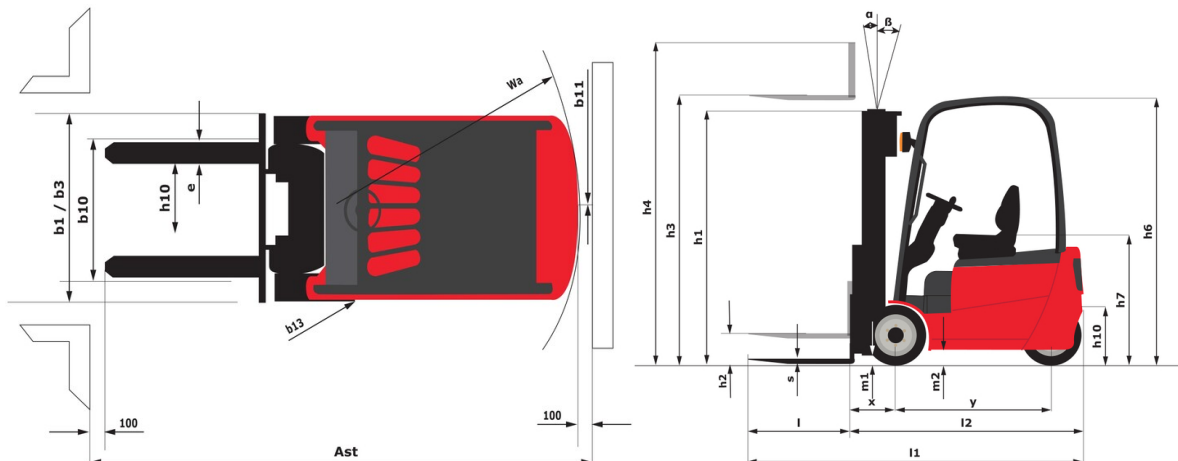
ME 316 FOB



 **MANITOU**
HANDLING YOUR WORLD

| Technical characteristics | | Metric | |
|---------------------------|---|-----------|--------------------------|
| 1.1 | Manufacturer | | Manitou |
| 1.2 | Model Name | | ME 316 FOB |
| 1.3 | Power source | | Electrical |
| 1.4 | Operator type | | Seated |
| 1.5 | Max. capacity | Q | 1600 kg |
| 1.6 | Load center of gravity | c | 500 mm |
| 1.8 | Load distance, centre of drive axle to fork | x | 355 mm |
| 1.9 | Wheelbase | y | 1358 mm |
| Weight | | | |
| 2.1 | Service weight | | 3120 kg |
| 2.2 | Weight on front axle (laden) / rear axle (laden) | | 4100 kg / 620 kg |
| 2.3 | Weight on front axle (Unladen) / rear axle (Unladen) | | 1440 kg / 1680 kg |
| Wheels | | | |
| 3.1 | Tires type | | Solid tires |
| 3.2 | Dimensions of front wheels | | 18x7-8 |
| 3.3 | Dimensions of rear wheels | | 15x4,5-8 |
| 3.5 | Number of front wheels / rear wheels | | 2 / 1 |
| 3.5.2 | Number of drive wheels | | 2 |
| 3.6 | Front wheel gauge | b10 | 910 mm |
| 3.7 | Rear wheel gauge | b11 | 175 mm |
| Dimensions | | | |
| 4.7 | Height of overhead guard (cabin) | h6 | 2040 mm |
| 4.8 | Seat height/stand height | h7 | 1000 mm |
| 4.12 | Height of towing bar (coupling height) | h10 | 500 mm |
| 4.19 | Overall length | l1 | 2968 mm |
| 4.20 | Length to face of forks | l2 | 1898 mm |
| 4.21 | Overall width | b1 | 1086 mm |
| 4.22 | Forks section / width / length | s / e / l | 35 mm x 100 mm x 1070 mm |
| 4.23 | Fork carriage ISO 2328 (class/form) A/B | | 2A |
| 4.24 | Fork carriage width | b3 | 1000 mm |
| 4.31 | Ground clearance below mast | m1 | 100 mm |
| 4.32 | Ground clearance at centre of wheelbase | m2 | 110 mm |
| 4.33 | Aisle Width for pallets 1000 x 1200 crossways | Ast | 3237 mm |
| 4.34 | Aisle width for 800 x 1200 pallet lengthways | Ast | 3365 mm |
| 4.35 | Turning radius | Wa | 1555 mm |
| Performances | | | |
| 5.1 | Travel speed (laden / unladen) | | 16 km/h-18 km/h |
| 5.2 | Lifting speed (laden / unladen) | | 0.40 m/s-0.47 m/s |
| 5.3 | Lowering speed (laden / unladen) | | 0.46 m/s-0.44 m/s |
| 5.5 | Drawbar pull (Laden / Unladen) | | 750 daN / 772 daN |
| 5.7 | Gradeability (laden / unladen) | | 16 % / 18 % |
| 5.10 | Service brake | | Oil bath |
| Engine | | | |
| 6.1 | Number of drive motor / Drive motor rating S2 60 min | | 2 / 4.50 kW |
| 6.2 | Lift motor rating at S3 15% | | 8.60 kW |
| 6.3 | Battery according to DIN 43531/35/36 A, B, C | | DIN43531 A |
| 6.4 | Battery voltage / capacity | | 48 V / 575 Ah |
| 6.6 | Energy consumption according to VDI cycle (kWh/h) | | 4.30 kWh/h |
| Miscellaneous | | | |
| 8.1 | Type of drive control | | Electronic |
| 8.2 | Working hydraulic pressure for attachments | | 180 bar |
| 8.3 | Oil flow rate for attachments | | 35 l/min |
| 8.4 | Measured/guaranteed mean noise level at the ear of the operator | | < 70 dB |
| 8.4 | Sound level at the driver's ear according to DIN 12 053 | | 70 dB |

ME 316 FOB - Dimensional drawing



Characteristics of masts and residual capacities

| Full Visibility Duplex (FVD) | | FVD 27 | FVD 30 | FVD 33 | FVD 36 | FVD 40 | FVD 43 | FVD 45 |
|--|----|--------|--------|--------|--------|--------|--------|--------|
| α - Mast/fork carriage tilt, forward | ° | 5.50 | 5.50 | 5.50 | 5.50 | 3.50 | 3.50 | 3.50 |
| β - Mast/fork carriage tilt, backward | ° | 6 | 6 | 6 | 6 | 5 | 5 | 5 |
| h1 - Mast lowered height | mm | 1845 | 1995 | 2145 | 2295 | 2545 | 2710 | 2820 |
| h2 - Mast free lift | mm | 145 | 145 | 145 | 145 | 145 | 145 | 145 |
| h3 - Mast lifting height | mm | 2700 | 3000 | 3300 | 3600 | 4000 | 4300 | 4500 |
| h4 - Mast extended height | mm | 3265 | 3565 | 3865 | 4165 | 4565 | 4865 | 5065 |
| Residual capacity at max height | kg | 1600 | 1600 | 1600 | 1600 | 1600 | 1600 | 1500 |
| Residual capacity with integrated side shift at max height | kg | 1600 | 1600 | 1600 | 1600 | 1600 | 1600 | 1500 |
| Residual capacity with hooked-on side shift at max height | kg | 1600 | 1600 | 1600 | 1600 | 1550 | 1500 | 1400 |
| Height at max capacity | mm | 2700 | 3000 | 3300 | 3600 | 4000 | 4300 | 4500 |
| Height at max capacity with integrated sideshift | mm | 2700 | 3000 | 3300 | 3600 | 4000 | 4300 | 4500 |

| Free Lift Duplex (FLD) | | FLD 27 | FLD 30 | FLD 33 | FLD 36 | FLD 40 |
|--|----|--------|--------|--------|--------|--------|
| α - Mast/fork carriage tilt, forward | ° | 5.50 | 5.50 | 5.50 | 5.50 | 3.50 |
| β - Mast/fork carriage tilt, backward | ° | 6 | 6 | 6 | 6 | 5 |
| h1 - Mast lowered height | mm | 1845 | 1995 | 2145 | 2295 | 2545 |
| h2 - Mast free lift | mm | 1260 | 1410 | 1560 | 1710 | 1960 |
| h3 - Mast lifting height | mm | 2700 | 3000 | 3300 | 3600 | 4000 |
| h4 - Mast extended height | mm | 3295 | 3595 | 3895 | 4195 | 4595 |
| Residual capacity at max height | kg | 1600 | 1600 | 1600 | 1600 | 1600 |
| Residual capacity with integrated side shift at max height | kg | 1600 | 1600 | 1600 | 1600 | 1600 |
| Residual capacity with hooked-on side shift at max height | kg | 1600 | 1600 | 1600 | 1600 | 1550 |
| Height at max capacity | mm | 2700 | 3000 | 3300 | 3600 | 4000 |
| Height at max capacity with integrated sideshift | mm | 2700 | 3000 | 3300 | 3600 | 4000 |

| Free Lift Triplex (FLT) | | FLT 40 | FLT 43 | FLT 45 | FLT 48 | FLT 50 | FLT 55 | FLT 60 | FLT 65 |
|--|----|--------|--------|--------|--------|--------|--------|--------|--------|
| α - Mast/fork carriage tilt, forward | ° | 3.50 | 3.50 | 3.50 | 3.50 | 3.50 | 3.50 | 3.50 | 3.50 |
| β - Mast/fork carriage tilt, backward | ° | 5 | 5 | 5 | 5 | 5 | 5 | 5 | 5 |
| h1 - Mast lowered height | mm | 1910 | 2010 | 2075 | 2175 | 2240 | 2410 | 2625 | 2840 |
| h2 - Mast free lift | mm | 1325 | 1425 | 1490 | 1590 | 1655 | 1825 | 2010 | 2010 |
| h3 - Mast lifting height | mm | 4000 | 4300 | 4500 | 4800 | 5000 | 5500 | 6000 | 6500 |
| h4 - Mast extended height | mm | 4595 | 4895 | 5095 | 5395 | 5595 | 6095 | 6625 | 7170 |
| Residual capacity at max height | kg | 1600 | 1550 | 1500 | 1450 | 1400 | 1250 | 1100 | 900 |
| Residual capacity with integrated side shift at max height | kg | 1600 | 1550 | 1500 | 1450 | 1400 | 1250 | 1100 | 900 |
| Residual capacity with hooked-on side shift at max height | kg | 1500 | 1450 | 1400 | 1350 | 1300 | 1150 | 1000 | 800 |
| Height at max capacity | mm | 4000 | 4300 | 4500 | 4800 | 5000 | 5500 | 6000 | 6500 |



Head Office

B.P. 249 - 430 rue de l'Aubinière

44150 Ancenis Cedex - France

Tel: +33 (0)2 40 09 10 11 - Fax: +33 (0)2 40 09 10 97

www.manitou.com



This publication provides a description of the configuration versions and options for Manitou products, which may differ for equipment. The equipment presented in this brochure may be part of a series, as an option, or it may not be available, depending on the versions. Manitou reserves the right, at any time and without notice, to amend the specifications described and represented. The specifications provided do not bind the manufacturer. For more details, please contact your Manitou agent. This is not a contractually binding document. The presentation of the products is not contractually binding. List of specifications non-exhaustive. The logos as well as the visual identity of the company are owned by Manitou and cannot be used without authorisation. All rights reserved. The photos and diagrams contained in this brochure are only provided for consultation and information purposes.

MANITOU BF SA - Limited company with board of directors - Share capital: 39,668,399 euros - 857 802 508 RCS Nantes