

Технический паспорт ТЕХНИЧЕСКОЕ ОПИСАНИЕ :

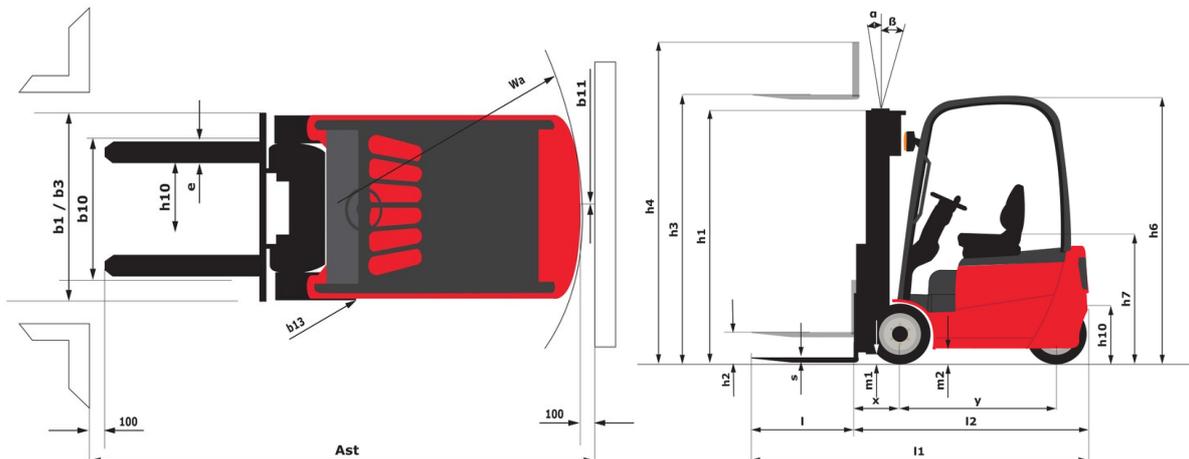
# ME 316 FOB



 **MANITOU**  
HANDLING YOUR WORLD

| Technical characteristics |   | Метрический |                          |
|---------------------------|---|-------------|--------------------------|
| 1.1                       | Manufacturer  |             | Manitou                  |
| 1.2                       | Model Name  |             | ME 316 FOB               |
| 1.3                       | Power source  |             | Electrical               |
| 1.4                       | Operator type   |             | Seated                   |
| 1.5                       | Max. capacity   | Q           | 1600 kg                  |
| 1.6                       | Load center of gravity  | c           | 500 mm                   |
| 1.8                       | Load distance, centre of drive axle to fork                     | x           | 355 mm                   |
| 1.9                       | Wheelbase   | y           | 1358 mm                  |
| Weight                    |   |             |                          |
| 2.1                       | Service weight  |             | 3120 kg                  |
| 2.2                       | Weight on front axle (laden) / rear axle (laden)                |             | 4100 kg / 620 kg         |
| 2.3                       | Weight on front axle (Unladen) / rear axle (Unladen)            |             | 1440 kg / 1680 kg        |
| Wheels                    |   |             |                          |
| 3.1                       | Tires type  |             | Solid tires              |
| 3.2                       | Dimensions of front wheels                                      |             | 18x7-8                   |
| 3.3                       | Dimensions of rear wheels                                       |             | 15x4,5-8                 |
| 3.5                       | Number of front wheels / rear wheels                            |             | 2 / 1                    |
| 3.5.2                     | Number of drive wheels  |             | 2                        |
| 3.6                       | Front wheel gauge   | b10         | 910 mm                   |
| 3.7                       | Rear wheel gauge  | b11         | 175 mm                   |
| Dimensions                |   |             |                          |
| 4.7                       | Height of overhead guard (cabin)                                | h6          | 2040 mm                  |
| 4.8                       | Seat height/stand height  | h7          | 1000 mm                  |
| 4.12                      | Height of towing bar (coupling height)                          | h10         | 500 mm                   |
| 4.19                      | Overall length  | l1          | 2968 mm                  |
| 4.20                      | Length to face of forks   | l2          | 1898 mm                  |
| 4.21                      | Overall width   | b1          | 1086 mm                  |
| 4.22                      | Forks section / width / length                                  | s / e / l   | 35 mm x 100 mm x 1070 mm |
| 4.23                      | Fork carriage ISO 2328 (class/form) A/B                         |             | 2A                       |
| 4.24                      | Fork carriage width   | b3          | 1000 mm                  |
| 4.31                      | Ground clearance below mast                                     | m1          | 100 mm                   |
| 4.32                      | Ground clearance at centre of wheelbase                         | m2          | 110 mm                   |
| 4.33                      | Aisle Width for pallets 1000 x 1200 crossways                   | Ast         | 3237 mm                  |
| 4.34                      | Aisle width for 800 x 1200 pallet lengthways                    | Ast         | 3365 mm                  |
| 4.35                      | Turning radius  | Wa          | 1555 mm                  |
| Performances              |   |             |                          |
| 5.1                       | Travel speed (laden / unladen)                                  |             | 16 km/h-18 km/h          |
| 5.2                       | Lifting speed (laden / unladen)                                 |             | 0.40 m/s-0.47 m/s        |
| 5.3                       | Lowering speed (laden / unladen)                                |             | 0.46 m/s-0.44 m/s        |
| 5.5                       | Drawbar pull (Laden / Unladen)                                  |             | 750 daN / 772 daN        |
| 5.7                       | Gradeability (laden / unladen)                                  |             | 16 % / 18 %              |
| 5.10                      | Service brake   |             | Oil bath                 |
| Engine                    |   |             |                          |
| 6.1                       | Number of drive motor / Drive motor rating S2 60 min            |             | 2 / 4.50 kW              |
| 6.2                       | Lift motor rating at S3 15%                                     |             | 8.60 kW                  |
| 6.3                       | Battery according to DIN 43531/35/36 A, B, C                    |             | DIN43531 A               |
| 6.4                       | Battery voltage / capacity                                      |             | 48 V / 575 Ah            |
| 6.6                       | Energy consumption according to VDI cycle (kWh/h)               |             | 4.30 kWh/h               |
| Miscellaneous             |   |             |                          |
| 8.1                       | Type of drive control   |             | Electronic               |
| 8.2                       | Working hydraulic pressure for attachments                      |             | 180 bar                  |
| 8.3                       | Oil flow rate for attachments                                   |             | 35 l/min                 |
| 8.4                       | Measured/guaranteed mean noise level at the ear of the operator |             | < 70 dB                  |
| 8.4                       | Sound level at the driver's ear according to DIN 12 053         |             | 70 dB                    |

ME 316 FOB - габаритный чертеж

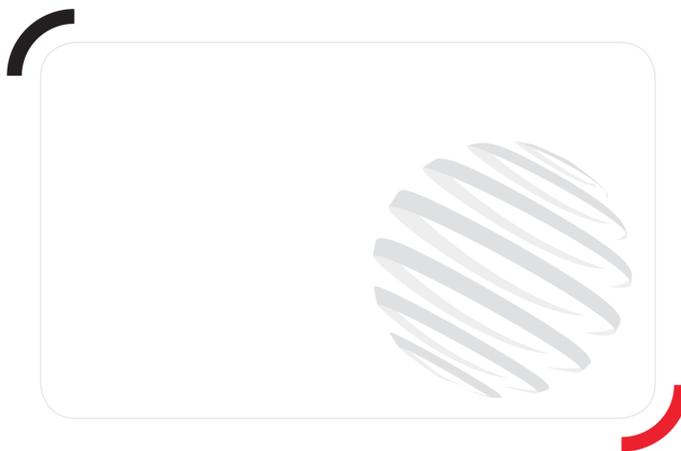


## Характеристики мачт и начальная емкость

| Full Visibility Duplex (FVD)                               |    | FVD 27 | FVD 30 | FVD 33 | FVD 36 | FVD 40 | FVD 43 | FVD 45 |
|--|----|--------|--------|--------|--------|--------|--------|--------|
| α - Mast/fork carriage tilt, forward                       | °  | 5.50   | 5.50   | 5.50   | 5.50   | 3.50   | 3.50   | 3.50   |
| β - Mast/fork carriage tilt, backward                      | °  | 6      | 6      | 6      | 6      | 5      | 5      | 5      |
| h1 - Mast lowered height                                   | mm | 1845   | 1995   | 2145   | 2295   | 2545   | 2710   | 2820   |
| h2 - Mast free lift  | mm | 145    | 145    | 145    | 145    | 145    | 145    | 145    |
| h3 - Mast lifting height                                   | mm | 2700   | 3000   | 3300   | 3600   | 4000   | 4300   | 4500   |
| h4 - Mast extended height                                  | mm | 3265   | 3565   | 3865   | 4165   | 4565   | 4865   | 5065   |
| Residual capacity at max height                            | kg | 1600   | 1600   | 1600   | 1600   | 1600   | 1600   | 1500   |
| Residual capacity with integrated side shift at max height | kg | 1600   | 1600   | 1600   | 1600   | 1600   | 1600   | 1500   |
| Residual capacity with hooked-on side shift at max height  | kg | 1600   | 1600   | 1600   | 1600   | 1550   | 1500   | 1400   |
| Height at max capacity                                     | mm | 2700   | 3000   | 3300   | 3600   | 4000   | 4300   | 4500   |
| Height at max capacity with integrated sideshift           | mm | 2700   | 3000   | 3300   | 3600   | 4000   | 4300   | 4500   |

| Free Lift Duplex (FLD)                                     |    | FLD 27 | FLD 30 | FLD 33 | FLD 36 | FLD 40 |
|--|----|--------|--------|--------|--------|--------|
| α - Mast/fork carriage tilt, forward                       | °  | 5.50   | 5.50   | 5.50   | 5.50   | 3.50   |
| β - Mast/fork carriage tilt, backward                      | °  | 6      | 6      | 6      | 6      | 5      |
| h1 - Mast lowered height                                   | mm | 1845   | 1995   | 2145   | 2295   | 2545   |
| h2 - Mast free lift  | mm | 1260   | 1410   | 1560   | 1710   | 1960   |
| h3 - Mast lifting height                                   | mm | 2700   | 3000   | 3300   | 3600   | 4000   |
| h4 - Mast extended height                                  | mm | 3295   | 3595   | 3895   | 4195   | 4595   |
| Residual capacity at max height                            | kg | 1600   | 1600   | 1600   | 1600   | 1600   |
| Residual capacity with integrated side shift at max height | kg | 1600   | 1600   | 1600   | 1600   | 1600   |
| Residual capacity with hooked-on side shift at max height  | kg | 1600   | 1600   | 1600   | 1600   | 1550   |
| Height at max capacity                                     | mm | 2700   | 3000   | 3300   | 3600   | 4000   |
| Height at max capacity with integrated sideshift           | mm | 2700   | 3000   | 3300   | 3600   | 4000   |

| Free Lift Triplex (FLT)                                    |    | FLT 40 | FLT 43 | FLT 45 | FLT 48 | FLT 50 | FLT 55 | FLT 60 | FLT 65 |
|--|----|--------|--------|--------|--------|--------|--------|--------|--------|
| α - Mast/fork carriage tilt, forward                       | °  | 3.50   | 3.50   | 3.50   | 3.50   | 3.50   | 3.50   | 3.50   | 3.50   |
| β - Mast/fork carriage tilt, backward                      | °  | 5      | 5      | 5      | 5      | 5      | 5      | 5      | 5      |
| h1 - Mast lowered height                                   | mm | 1910   | 2010   | 2075   | 2175   | 2240   | 2410   | 2625   | 2840   |
| h2 - Mast free lift  | mm | 1325   | 1425   | 1490   | 1590   | 1655   | 1825   | 2010   | 2010   |
| h3 - Mast lifting height                                   | mm | 4000   | 4300   | 4500   | 4800   | 5000   | 5500   | 6000   | 6500   |
| h4 - Mast extended height                                  | mm | 4595   | 4895   | 5095   | 5395   | 5595   | 6095   | 6625   | 7170   |
| Residual capacity at max height                            | kg | 1600   | 1550   | 1500   | 1450   | 1400   | 1250   | 1100   | 900    |
| Residual capacity with integrated side shift at max height | kg | 1600   | 1550   | 1500   | 1450   | 1400   | 1250   | 1100   | 900    |
| Residual capacity with hooked-on side shift at max height  | kg | 1500   | 1450   | 1400   | 1350   | 1300   | 1150   | 1000   | 800    |
| Height at max capacity                                     | mm | 4000   | 4300   | 4500   | 4800   | 5000   | 5500   | 6000   | 6500   |

**Головной офис**

В.Р. 249 - 430 rue de l'Aubinière

44150 Ancenis Cedex - France (Франция)

Телефон: 00 33 (0)2 40 09 10 11 - Факс: 00 33 (0)2 40 09 10 97

[www.manitou.com](http://www.manitou.com)

В данной брошюре описываются версии конфигурации и опции продуктов Manitou, которые могут отличаться в зависимости от оборудования. Описанное в данной брошюре оборудование может, в зависимости от версии, быть стандартным, опциональным или недоступным. Компания Manitou оставляет за собой право в любое время изменять приведенные и описанные характеристики без предварительного уведомления. Указанные технические характеристики не являются обязательными для производителя. Для получения дополнительной информации обратитесь к своему дилеру Manitou. Этот документ не имеет обязывающего, договорного характера. Описание продукции не имеет обязывающего, договорного характера. Список технических характеристик не является исчерпывающим. Логотипы и средства визуальной идентификации являются собственностью Manitou, их несанкционированное использование запрещено. Все права защищены. Фотографии и схемы в этой брошюре предоставлены только для ознакомления и в качестве справочной информации.

Manitou BF SA – Компания с ограниченной ответственностью и советом директоров – Акционерный капитал: 39 668 399 евро – Номер 857 802 508 в Реестре коммерсантов и предприятий Нанта