

Fiche technique :

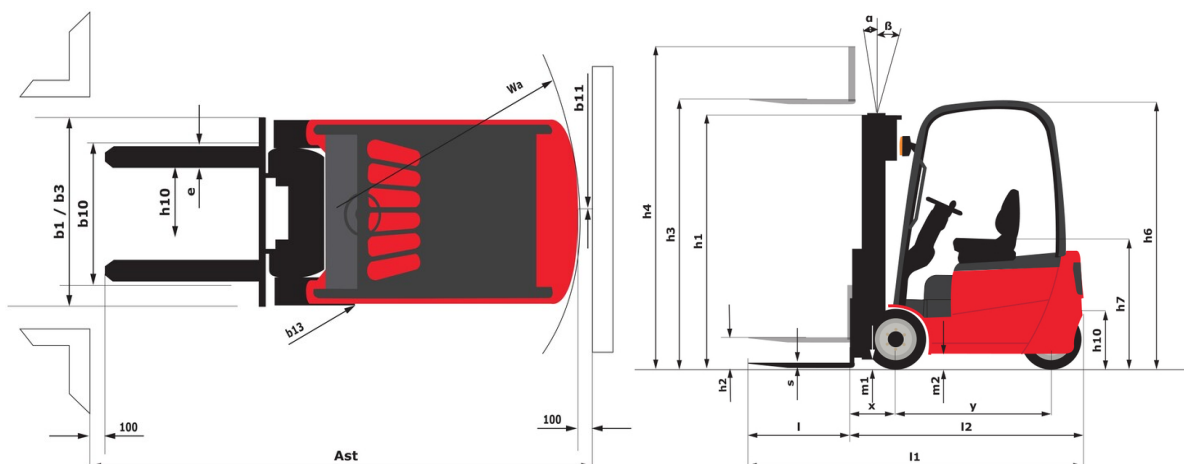
ME 420 FOB



 **MANITOU**
HANDLING YOUR WORLD

| Technical characteristics | | Métrique | |
|---------------------------|---|-----------|--------------------------|
| 1.1 | Manufacturer | | Manitou |
| 1.2 | Model Name | | ME 420 FOB |
| 1.3 | Power source | | Electrical |
| 1.4 | Operator type | | Seated |
| 1.5 | Max. capacity | Q | 2000 kg |
| 1.6 | Load center of gravity | c | 500 mm |
| 1.8 | Load distance, centre of drive axle to fork | x | 448 mm |
| 1.9 | Wheelbase | y | 1485 mm |
| Weight | | | |
| 2.1 | Service weight | | 4000 kg |
| 2.2 | Weight on front axle (laden) / rear axle (laden) | | 5360 kg / 640 kg |
| 2.3 | Weight on front axle (Unladen) / rear axle (Unladen) | | 1910 kg / 2090 kg |
| Wheels | | | |
| 3.1 | Tires type | | Solid tires |
| 3.2 | Dimensions of front wheels | | 23 x 9-10 |
| 3.3 | Dimensions of rear wheels | | 18 x 7-8 |
| 3.5 | Number of front wheels / rear wheels | | 2 / 2 |
| 3.5.2 | Number of drive wheels | | 2 |
| 3.6 | Front wheel gauge | b10 | 1058 mm |
| 3.7 | Rear wheel gauge | b11 | 960 mm |
| Dimensions | | | |
| 4.7 | Height of overhead guard (cabin) | h6 | 2155 mm |
| 4.8 | Seat height/stand height | h7 | 1070 mm |
| 4.12 | Height of towing bar (coupling height) | h10 | 303 mm |
| 4.19 | Overall length | l1 | 3492 mm |
| 4.20 | Length to face of forks | l2 | 2342 mm |
| 4.21 | Overall width | b1 | 1265 mm |
| 4.22 | Forks section / width / length | s / e / l | 122 mm x 1150 mm x 40 mm |
| 4.23 | Fork carriage ISO 2328 (class/form) A/B | | 2A |
| 4.24 | Fork carriage width | b3 | 1038 mm |
| 4.31 | Ground clearance below mast | m1 | 112 mm |
| 4.32 | Ground clearance at centre of wheelbase | m2 | 120 mm |
| 4.33 | Aisle Width for pallets 1000 x 1200 crossways | Ast | 3738 mm |
| 4.34 | Aisle width for 800 x 1200 pallet lengthways | Ast | 3938 mm |
| 4.35 | Turning radius | Wa | 2090 mm |
| 4.36 | Internal turning radius (over tyres) | b13 | 730 mm |
| Performances | | | |
| 5.1 | Travel speed (laden / unladen) | | 14 km/h-14 km/h |
| 5.2 | Lifting speed (laden / unladen) | | 0.28 m/s-0.40 m/s |
| 5.3 | Lowering speed (laden / unladen) | | 0.42 m/s-0.29 m/s |
| 5.5 | Drawbar pull (Laden / Unladen) | | 1400 daN / 1250 daN |
| 5.7 | Gradeability (laden / unladen) | | 11 % / 12 % |
| 5.10 | Service brake | | Hydraulic |
| Engine | | | |
| 6.1 | Drive motor rating S2 60 min | | 11 kW |
| 6.2 | Lift motor rating at S3 15% | | 8.60 kW |
| 6.3 | Battery according to DIN 43531/35/36 A, B, C | | DIN43531 B |
| 6.4 | Battery voltage / capacity | | 48 V / 700 Ah |
| 6.6 | Energy consumption according to VDI cycle (kWh/h) | | 5 kWh/h |
| Miscellaneous | | | |
| 8.1 | Type of drive control | | Electronic |
| 8.2 | Working hydraulic pressure for attachments | | 175 bar |
| 8.3 | Oil flow rate for attachments | | 35 l/min |
| 8.4 | Measured/guaranteed mean noise level at the ear of the operator | | < 71 dB |
| 8.4 | Sound level at the driver's ear according to DIN 12 053 | | 71 dB |

ME 420 FOB - Schémas d'encombrement



Caractéristiques des mâts et capacités résiduelles

| Full Visibility Duplex (FVD) | | FVD 27 | FVD 30 | FVD 33 | FVD 36 | FVD 40 | FVD 43 | FVD 45 |
|--|----|--------|--------|--------|--------|--------|--------|--------|
| α - Mast/fork carriage tilt, forward | ° | 5 | 5 | 5 | 5 | 5 | 5 | 5 |
| β - Mast/fork carriage tilt, backward | ° | 6 | 10 | 10 | 10 | 10 | 6 | 6 |
| h1 - Mast lowered height | mm | 1855 | 2005 | 2170 | 2305 | 2555 | 2730 | 2830 |
| h2 - Mast free lift | mm | 140 | 140 | 140 | 140 | 140 | 140 | 140 |
| h3 - Mast lifting height | mm | 2700 | 3000 | 3300 | 3600 | 4000 | 4300 | 4500 |
| h4 - Mast extended height | mm | 3350 | 3650 | 3980 | 4250 | 4650 | 4970 | 5150 |
| Residual capacity at max height | kg | 2000 | 2000 | 2000 | 2000 | 2000 | 2000 | 2000 |
| Residual capacity with integrated side shift at max height | kg | 2000 | 2000 | 2000 | 2000 | 2000 | 2000 | 2000 |
| Residual capacity with hooked-on side shift at max height | kg | 2000 | 2000 | 2000 | 2000 | 2000 | 1950 | 1900 |
| Height at max capacity | mm | 2700 | 3000 | 3300 | 3600 | 4000 | 4300 | 4500 |
| Height at max capacity with integrated sideshift | mm | 2700 | 3000 | 3300 | 3600 | 4000 | 4300 | 4500 |

| Free Lift Duplex (FLD) | | FLD 27 | FLD 30 | FLD 33 | FLD 36 | FLD 40 |
|--|----|--------|--------|--------|--------|--------|
| α - Mast/fork carriage tilt, forward | ° | 5 | 5 | 5 | 5 | 5 |
| β - Mast/fork carriage tilt, backward | ° | 6 | 10 | 10 | 10 | 10 |
| h1 - Mast lowered height | mm | 1866 | 1980 | 2130 | 2280 | 2530 |
| h2 - Mast free lift | mm | 1250 | 1350 | 1500 | 1650 | 1900 |
| h3 - Mast lifting height | mm | 2700 | 3000 | 3300 | 3600 | 4000 |
| h4 - Mast extended height | mm | 3370 | 3635 | 3970 | 4270 | 4635 |
| Residual capacity at max height | kg | 2000 | 2000 | 2000 | 2000 | 2000 |
| Residual capacity with integrated side shift at max height | kg | 2000 | 2000 | 2000 | 2000 | 2000 |
| Residual capacity with hooked-on side shift at max height | kg | 2000 | 2000 | 2000 | 2000 | 2000 |
| Height at max capacity | mm | 2700 | 3000 | 3300 | 3600 | 4000 |
| Height at max capacity with integrated sideshift | mm | 2700 | 3000 | 3300 | 3600 | 4000 |

| Free Lift Triplex (FLT) | | FLT 40 | FLT 43 | FLT 45 | FLT 48 | FLT 50 | FLT 55 | FLT 60 | FLT 65 |
|--|----|--------|--------|--------|--------|--------|--------|--------|--------|
| α - Mast/fork carriage tilt, forward | ° | 5 | 5 | 5 | 5 | 5 | 3 | 3 | 3 |
| β - Mast/fork carriage tilt, backward | ° | 6 | 6 | 6 | 6 | 6 | 6 | 6 | 6 |
| h1 - Mast lowered height | mm | 1925 | 2025 | 2095 | 2195 | 2260 | 2425 | 2645 | 2820 |
| h2 - Mast free lift | mm | 1255 | 1355 | 1425 | 1525 | 1590 | 1755 | 1975 | 2150 |
| h3 - Mast lifting height | mm | 4000 | 4300 | 4500 | 4800 | 5000 | 5500 | 6000 | 6500 |
| h4 - Mast extended height | mm | 4680 | 4980 | 5230 | 5480 | 5680 | 5180 | 6690 | 7180 |
| Residual capacity at max height | kg | 2000 | 2000 | 2000 | 1950 | 1850 | 1800 | 1650 | 1550 |
| Residual capacity with integrated side shift at max height | kg | 2000 | 2000 | 1950 | 1900 | 1800 | 1750 | 1600 | 1500 |
| Residual capacity with hooked-on side shift at max height | kg | 1900 | 1900 | 1850 | 1800 | 1700 | 1650 | 1500 | 1400 |
| Height at max capacity | mm | 4000 | 4300 | 4500 | 4000 | 4000 | 4000 | 4000 | 4000 |
| Height at max capacity with integrated sideshift | mm | 4000 | 4300 | 4500 | 4000 | 4000 | 4000 | 4000 | 4000 |



Siège Social

B.P. 249 - 430 rue de l'Aubinière

44150 Ancenis Cedex - France

Tel: +33 (0)2 40 09 10 11 - Fax: +33 (0)2 40 09 10 97

www.manitou.com



Cette publication présente le descriptif des versions et possibilités de configuration des produits Manitou qui peuvent différer en équipement. Les équipements présentés dans cette brochure peuvent être de série, en option, ou non disponibles suivant les versions. Manitou se réserve le droit, à tout moment et sans préavis, de modifier les spécifications décrites et représentées. Les spécifications portées n'engagent pas le constructeur. Pour plus de détails, contactez votre concessionnaire Manitou. Document non contractuel. Présentation des produits non contractuelle. Liste des spécifications non exhaustive. Les logos ainsi que l'identité visuelle de l'entreprise sont la propriété de Manitou et ne peuvent être utilisés sans autorisation. Tous droits réservés. Les photos et schémas contenus dans la présente brochure ne sont fournis qu'à des fins de consultation et à titre indicatif.

Manitou BF SA - Société anonyme à conseil d'administration - Capital social : 39 668 399 euros - 857 802 508 RCS Nantes