

Fiche technique :

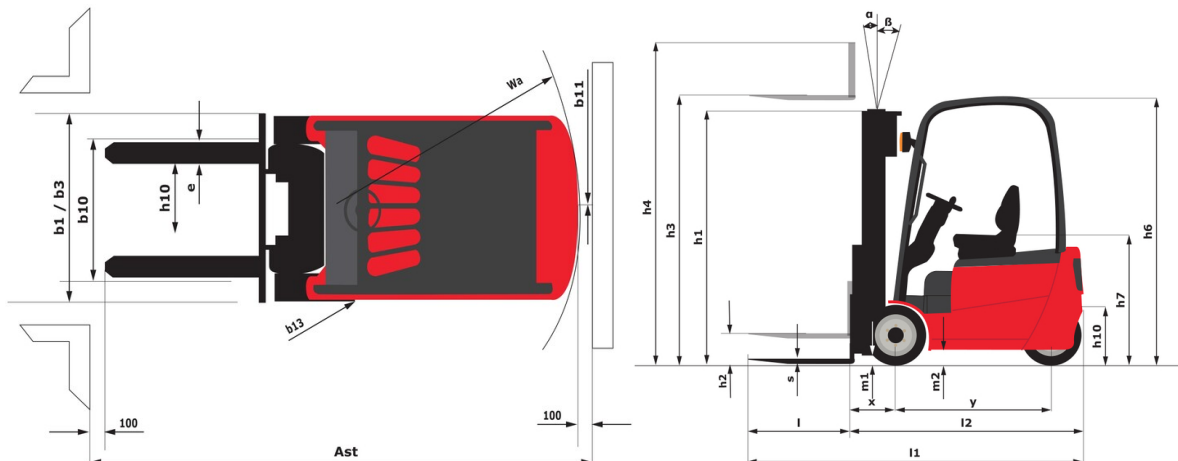
ME 445 FOB



 **MANITOU**
HANDLING YOUR WORLD

| Technical characteristics | | Métrique | |
|---------------------------|---|-----------|--------------------------|
| 1.1 | Manufacturer | | Manitou |
| 1.2 | Model Name | | ME 445 FOB |
| 1.3 | Power source | | Electrical |
| 1.4 | Operator type | | Seated |
| 1.5 | Max. capacity | Q | 4500 kg |
| 1.6 | Load center of gravity | c | 500 mm |
| 1.8 | Load distance, centre of drive axle to fork | x | 550 mm |
| 1.9 | Wheelbase | y | 2000 mm |
| Weight | | | |
| 2.1 | Service weight | | 6800 kg |
| 2.2 | Weight on front axle (laden) / rear axle (laden) | | 9950 kg / 1350 kg |
| 2.3 | Weight on front axle (Unladen) / rear axle (Unladen) | | 3950 kg / 2850 kg |
| Wheels | | | |
| 3.1 | Tires type | | Solid tires |
| 3.2 | Dimensions of front wheels | | 250/15 |
| 3.3 | Dimensions of rear wheels | | 7.00-12 |
| 3.5 | Number of front wheels / rear wheels | | 2 / 2 |
| 3.5.2 | Number of drive wheels | | 2 |
| 3.6 | Front wheel gauge | b10 | 1130 mm |
| 3.7 | Rear wheel gauge | b11 | 1100 mm |
| Dimensions | | | |
| 4.7 | Height of overhead guard (cabin) | h6 | 2300 mm |
| 4.8 | Seat height/stand height | h7 | 1235 mm |
| 4.12 | Height of towing bar (coupling height) | h10 | 460 mm |
| 4.19 | Overall length | l1 | 4165 mm |
| 4.20 | Length to face of forks | l2 | 3015 mm |
| 4.21 | Overall width | b1 | 1380 mm |
| 4.22 | Forks section / width / length | s / e / l | 150 mm x 1150 mm x 50 mm |
| 4.23 | Fork carriage ISO 2328 (class/form) A/B | | 3A |
| 4.24 | Fork carriage width | b3 | 1100 mm |
| 4.31 | Ground clearance below mast | m1 | 110 mm |
| 4.32 | Ground clearance at centre of wheelbase | m2 | 219 mm |
| 4.33 | Aisle Width for pallets 1000 x 1200 crossways | Ast | 4470 mm |
| 4.34 | Aisle width for 800 x 1200 pallet lengthways | Ast | 4670 mm |
| 4.35 | Turning radius | Wa | 2720 mm |
| 4.36 | Internal turning radius (over tyres) | b13 | 805 mm |
| Performances | | | |
| 5.1 | Travel speed (laden / unladen) | | 13.50 km/h-14 km/h |
| 5.2 | Lifting speed (laden / unladen) | | 0.26 m/s-0.40 m/s |
| 5.3 | Lowering speed (laden / unladen) | | 0.50 m/s-0.30 m/s |
| 5.5 | Drawbar pull (Laden) | | 2600 daN |
| 5.7 | Gradeability (laden / unladen) | | 15 % / 16 % |
| 5.10 | Service brake | | Hydraulic |
| Engine | | | |
| 6.1 | Drive motor rating S2 60 min | | 16.60 kW |
| 6.2 | Lift motor rating at S3 15% | | 25.40 kW |
| 6.3 | Battery according to DIN 43531/35/36 A, B, C | | DIN43536 A |
| 6.4 | Battery voltage / capacity | | 80 V / 700 Ah |
| 6.6 | Energy consumption according to VDI cycle (kWh/h) | | 13.10 kWh/h |
| Miscellaneous | | | |
| 8.1 | Type of drive control | | Electronic |
| 8.2 | Working hydraulic pressure for attachments | | 210 bar |
| 8.3 | Oil flow rate for attachments | | 65 l/min |
| 8.4 | Measured/guaranteed mean noise level at the ear of the operator | | < 78 dB |

ME 445 FOB - Schémas d'encombrement



Caractéristiques des mâts et capacités résiduelles

| Full Visibility Duplex (FVD) | FVD 30 | FVD 33 | FVD 35 | FVD 40 | FVD 43 | FVD 45 | FVD 48 | FVD 50 |
|---|--------|--------|--------|--------|--------|--------|--------|--------|
| α - Mast/fork carriage tilt, forward ° | 6 | 6 | 6 | 6 | 6 | 6 | 6 | 6 |
| β - Mast/fork carriage tilt, backward ° | 12 | 12 | 12 | 12 | 6 | 6 | 6 | 6 |
| h1 - Mast lowered height mm | 2185 | 2335 | 2435 | 2735 | 2900 | 3010 | 3175 | 3285 |
| h2 - Mast free lift mm | 150 | 150 | 150 | 150 | 150 | 150 | 150 | 150 |
| h3 - Mast lifting height mm | 3000 | 3300 | 3500 | 4000 | 4300 | 4500 | 4800 | 5000 |
| h4 - Mast extended height mm | 3770 | 4070 | 4270 | 4770 | 5070 | 5270 | 5570 | 5770 |
| Residual capacity at max height kg | 4500 | 4500 | 4500 | 4500 | 4500 | 4500 | 4450 | 4400 |
| Residual capacity with integrated side shift at max height kg | 4500 | 4500 | 4500 | 4500 | 4500 | 4500 | 4400 | 4350 |
| Residual capacity with hooked-on side shift at max height kg | 4300 | 4300 | 4300 | 4300 | 4300 | 4300 | 4200 | 4100 |
| Height at max capacity mm | 3000 | 3300 | 3500 | 4000 | 4300 | 4500 | 4800 | 4000 |
| Height at max capacity with integrated sideshift mm | 3000 | 3300 | 3500 | 4000 | 4300 | 4500 | 4000 | 4000 |

| Free Lift Duplex (FLD) | FLD 30 | FLD 33 | FLD 40 |
|---|--------|--------|--------|
| α - Mast/fork carriage tilt, forward ° | 6 | 6 | 6 |
| β - Mast/fork carriage tilt, backward ° | 12 | 12 | 12 |
| h1 - Mast lowered height mm | 2166 | 2316 | 2666 |
| h2 - Mast free lift mm | 1365 | 1515 | 1865 |
| h3 - Mast lifting height mm | 3000 | 3300 | 4000 |
| h4 - Mast extended height mm | 3805 | 4105 | 4805 |
| Residual capacity at max height kg | 4500 | 4500 | 4500 |
| Residual capacity with integrated side shift at max height kg | 4500 | 4500 | 4500 |
| Residual capacity with hooked-on side shift at max height kg | 4300 | 4300 | 4300 |
| Height at max capacity mm | 3000 | 3300 | 4000 |
| Height at max capacity with integrated sideshift mm | 3000 | 3300 | 4000 |

| Free Lift Triplex (FLT) | FLT 43 | FLT 48 | FLT 50 | FLT 55 | FLT 60 |
|---|--------|--------|--------|--------|--------|
| α - Mast/fork carriage tilt, forward ° | 6 | 6 | 6 | 3 | 3 |
| β - Mast/fork carriage tilt, backward ° | 6 | 6 | 6 | 6 | 6 |
| h1 - Mast lowered height mm | 2120 | 2280 | 2350 | 2515 | 2730 |
| h2 - Mast free lift mm | 1318 | 1478 | 1548 | 1710 | 1928 |
| h3 - Mast lifting height mm | 4300 | 4800 | 5000 | 5500 | 6000 |
| h4 - Mast extended height mm | 5105 | 5605 | 5805 | 6305 | 6805 |
| Residual capacity at max height kg | 4250 | 4200 | 4100 | 3800 | 3700 |
| Residual capacity with integrated side shift at max height kg | 4200 | 4100 | 3800 | 3700 | 3600 |
| Residual capacity with hooked-on side shift at max height kg | 4000 | 3900 | 3600 | 3500 | 3400 |
| Height at max capacity mm | 2500 | 2500 | 2500 | 2500 | 2500 |



Siège Social

B.P. 249 - 430 rue de l'Aubinière

44150 Ancenis Cedex - France

Tel: +33 (0)2 40 09 10 11 - Fax: +33 (0)2 40 09 10 97

www.manitou.com



Cette publication présente le descriptif des versions et possibilités de configuration des produits Manitou qui peuvent différer en équipement. Les équipements présentés dans cette brochure peuvent être de série, en option, ou non disponibles suivant les versions. Manitou se réserve le droit, à tout moment et sans préavis, de modifier les spécifications décrites et représentées. Les spécifications portées n'engagent pas le constructeur. Pour plus de détails, contactez votre concessionnaire Manitou. Document non contractuel. Présentation des produits non contractuelle. Liste des spécifications non exhaustive. Les logos ainsi que l'identité visuelle de l'entreprise sont la propriété de Manitou et ne peuvent être utilisés sans autorisation. Tous droits réservés. Les photos et schémas contenus dans la présente brochure ne sont fournis qu'à des fins de consultation et à titre indicatif.

Manitou BF SA - Société anonyme à conseil d'administration - Capital social : 39 668 399 euros - 857 802 508 RCS Nantes