

Ficha técnica :

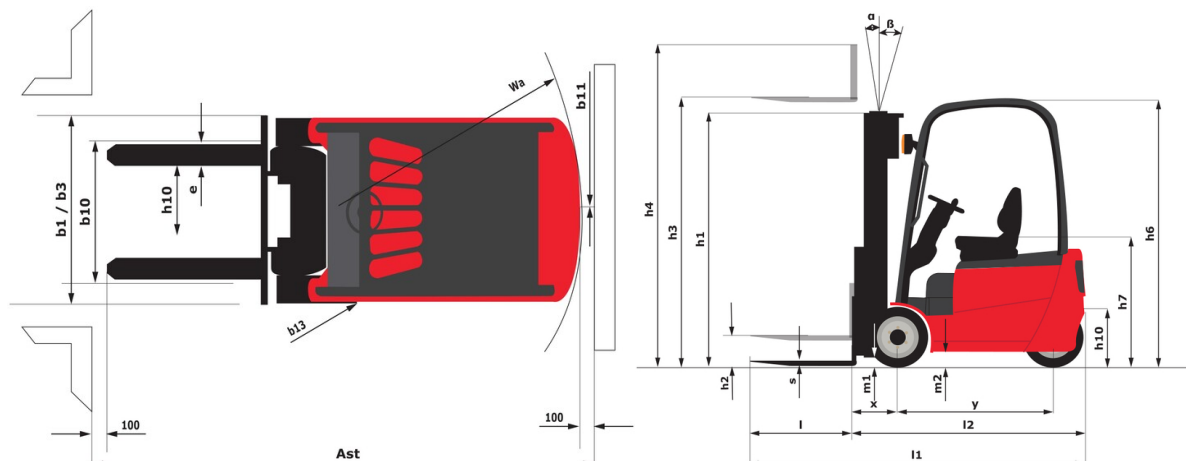
ME 450 FOB



 **MANITOU**
HANDLING YOUR WORLD

Technical characteristics		Métrico	
1.1	Manufacturer		Manitou
1.2	Model Name		ME 450 FOB
1.3	Power source		Electrical
1.4	Operator type		Seated
1.5	Max. capacity	Q	5000 kg
1.6	Load center of gravity	c	500 mm
1.8	Load distance, centre of drive axle to fork	x	500 mm
1.9	Wheelbase	y	2000 mm
Weight			
2.1	Service weight		7100 kg
2.2	Weight on front axle (laden) / rear axle (laden)		10635 kg / 1465 kg
2.3	Weight on front axle (Unladen) / rear axle (Unladen)		3625 kg / 3475 kg
Wheels			
3.1	Tires type		Solid tires
3.2	Dimensions of front wheels		250/15
3.3	Dimensions of rear wheels		7.00-12
3.5	Number of front wheels / rear wheels		2 / 2
3.5.2	Number of drive wheels		2
3.6	Front wheel gauge	b10	1130 mm
3.7	Rear wheel gauge	b11	1100 mm
Dimensions			
4.7	Height of overhead guard (cabin)	h6	2300 mm
4.8	Seat height/stand height	h7	1235 mm
4.12	Height of towing bar (coupling height)	h10	460 mm
4.19	Overall length	l1	4165 mm
4.20	Length to face of forks	l2	3015 mm
4.21	Overall width	b1	1380 mm
4.22	Forks section / width / length	s / e / l	150 mm x 1150 mm x 50 mm
4.23	Fork carriage ISO 2328 (class/form) A/B		3A
4.24	Fork carriage width	b3	1100 mm
4.31	Ground clearance below mast	m1	110 mm
4.32	Ground clearance at centre of wheelbase	m2	219 mm
4.33	Aisle Width for pallets 1000 x 1200 crossways	Ast	4475 mm
4.34	Aisle width for 800 x 1200 pallet lengthways	Ast	4675 mm
4.35	Turning radius	Wa	2720 mm
4.36	Internal turning radius (over tyres)	b13	805 mm
Performances			
5.1	Travel speed (laden / unladen)		13 km/h-13.50 km/h
5.2	Lifting speed (laden / unladen)		0.26 m/s-0.40 m/s
5.3	Lowering speed (laden / unladen)		0.50 m/s-0.30 m/s
5.5	Drawbar pull (Laden)		2700 daN
5.7	Gradeability (laden / unladen)		15 % / 16 %
5.10	Service brake		Hydraulic
Engine			
6.1	Drive motor rating S2 60 min		16.60 kW
6.2	Lift motor rating at S3 15%		25.40 kW
6.3	Battery according to DIN 43531/35/36 A, B, C		DIN43536 A
6.4	Battery voltage / capacity		80 V / 700 Ah
6.6	Energy consumption according to VDI cycle (kWh/h)		15.30 kWh/h
Miscellaneous			
8.1	Type of drive control		Electronic
8.2	Working hydraulic pressure for attachments		210 bar
8.3	Oil flow rate for attachments		65 l/min
8.4	Measured/guaranteed mean noise level at the ear of the operator		< 78 dB

ME 450 FOB - Diagrama dimensional



Características de los mástiles y capacidad residual

Full Visibility Duplex (FVD)	FVD 30	FVD 33	FVD 35	FVD 40	FVD 43	FVD 45	FVD 48	FVD 50
α - Mast/fork carriage tilt, forward °	6	6	6	6	6	6	6	6
β - Mast/fork carriage tilt, backward °	12	12	12	12	6	6	6	6
h1 - Mast lowered height mm	2185	2335	2435	2735	2900	3010	3175	3285
h2 - Mast free lift mm	150	150	150	150	150	150	150	150
h3 - Mast lifting height mm	3000	3300	3500	4000	4300	4500	4800	5000
h4 - Mast extended height mm	3770	4070	4270	4770	5070	5270	5570	5770
Residual capacity at max height kg	5000	5000	5000	5000	4950	4900	4800	4700
Residual capacity with integrated side shift at max height kg	5000	5000	5000	5000	4900	4850	4750	4650
Residual capacity with hooked-on side shift at max height kg	4800	4800	4800	4800	4700	4600	4500	4400
Height at max capacity mm	3000	3300	3500	4000	4000	4000	4000	4000
Height at max capacity with integrated sideshift mm	3000	3300	3500	4000	4000	4000	4000	4000

Free Lift Duplex (FLD)	FLD 30	FLD 33	FLD 40
α - Mast/fork carriage tilt, forward °	6	6	6
β - Mast/fork carriage tilt, backward °	12	12	12
h1 - Mast lowered height mm	2166	2316	2666
h2 - Mast free lift mm	1365	1515	1865
h3 - Mast lifting height mm	3000	3300	4000
h4 - Mast extended height mm	3805	4105	4805
Residual capacity at max height kg	5000	5000	5000
Residual capacity with integrated side shift at max height kg	5000	5000	5000
Residual capacity with hooked-on side shift at max height kg	4800	4800	4800
Height at max capacity mm	3000	3300	4000
Height at max capacity with integrated sideshift mm	3000	3300	4000

Free Lift Triplex (FLT)	FLT 43	FLT 48	FLT 50	FLT 55	FLT 60
α - Mast/fork carriage tilt, forward °	6	6	6	3	3
β - Mast/fork carriage tilt, backward °	6	6	6	6	6
h1 - Mast lowered height mm	2120	2280	2350	2515	2730
h2 - Mast free lift mm	1318	1478	1548	1710	1928
h3 - Mast lifting height mm	4300	4800	5000	5500	6000
h4 - Mast extended height mm	5105	5605	5805	6305	6805
Residual capacity at max height kg	4800	4650	4450	4250	4100
Residual capacity with integrated side shift at max height kg	4700	4600	4400	4200	4050
Residual capacity with hooked-on side shift at max height kg	4500	4350	4150	3950	3800
Height at max capacity mm	2500	2500	2500	2500	2500



Oficina Central

B.P. 249 - 430 rue de l'Aubinière

44150 Ancenis Cedex - Francia

Tel.: 00 33 (0)2 40 09 10 11 - Fax: 00 33 (0)2 40 09 10 97

www.manitou.com



Esta publicación describe las versiones y posibilidades de configuración de los productos Manitou que puedan diferir en equipamiento. Los equipamientos presentados en este folleto pueden ser de serie, opcionales o no estar disponibles en algunas versiones. Manitou se reserva el derecho, en cualquier momento y sin previo aviso, de modificar las especificaciones descritas y representadas. Las especificaciones aportadas no comprometen al fabricante. Para más información, póngase en contacto con su concesionario Manitou. Documento no contractual. Presentación de los productos no contractual. Lista de especificaciones no exhaustiva. Los logos y la identidad visual de la empresa son propiedad de Manitou y no pueden ser utilizados sin autorización. Todos los derechos reservados. Las fotos y los esquemas contenidos en este folleto se ofrecen para consulta y a título indicativo solamente.

Manitou BF SA - Sociedad anónima con Consejo de Administración - Capital social: 39 668 399 euros - 857 802 508 RCS Nantes