

Technical sheet :

MT 625 H



 **MANITOU**
HANDLING YOUR WORLD

| Capacities | | Metric |
|--|-----------|---|
| Max. capacity | Q | 2500 kg |
| Max. lifting height | | 5.85 m |
| Max. outreach | | 3.40 m |
| Breakout force with bucket | | 3427 daN |
| Weight and dimensions | | |
| Overall length to carriage | l11 | 3.83 m |
| Length to face of forks | l2 | 3.90 m |
| Overall width | b1 | 1.81 m |
| Overall height | h17 | 1.92 m |
| Wheelbase | y | 2.30 m |
| Ground clearance | m4 | 0.33 m |
| Overall cab width | b4 | 0.79 m |
| Tilt-up angle | a4 | 12 ° |
| Tilt-down angle | a5 | 117 ° |
| External turning radius (over tyres) | Wa1 | 3.31 m |
| Overall weight | | 4800 kg |
| Tires type | | Inflatable |
| Standard tires | | CAMSO SKS532 12-16.5 |
| Forks length / width / section | l / e / s | 1200 mm x 125 mm x 45 mm |
| Performances | | |
| Lifting | | 8 s |
| Lowering | | 5.40 s |
| Extension | | 5.60 s |
| Retraction | | 4.30 s |
| Crowd | | 3.50 s |
| Dump | | 3.60 s |
| Engine | | |
| Engine brand | | Kubota |
| Engine norm | | Stage V |
| Engine model | | V3307-CR-TE5B |
| Number of cylinders / Capacity of cylinders | | 4 - 3331 cm³ |
| Engine power (Hp/kW) | | 75 Hp / 55.40 kW |
| Max. torque / Engine rotation | | 265 Nm @ 1400 rpm |
| Drawbar pull (Laden) | | 3550 daN |
| Transmission | | |
| Transmission type | | Hydrostatic |
| Number of gears (forward / reverse) | | 2 / 2 |
| Max. travel speed | | 24.90 km/h |
| Max. travel speed (may vary according to applicable regulations) | | 25 km/h |
| Parking brake | | Automatic negative parking brake |
| Service brake | | Oil-Immersed multi-discs braking on front axles |
| Hydraulics | | |
| Hydraulic pump type | | Gear pump |
| Hydraulic Pressure | | 235 bar |
| Tank capacities | | |
| Engine oil | | 11.20 l |
| Hydraulic oil | | 115 l |
| Fuel tank capacity | | 63 l |
| Noise and vibration | | |
| Noise at driving position (LpA) | | 76 dB |
| Noise to environment (LWA) | | 104 dB |
| Vibration on hands/arms | | < 2.50 m/s² |
| Miscellaneous | | |
| Steering wheels (front / rear) | | 2 / 2 |
| Drive wheels (front / rear) | | 2 / 2 |
| Safety / Cab certification | | Standard EN 15000 / ROPS - FOPS cab (level 1) |
| Controls | | JSM |

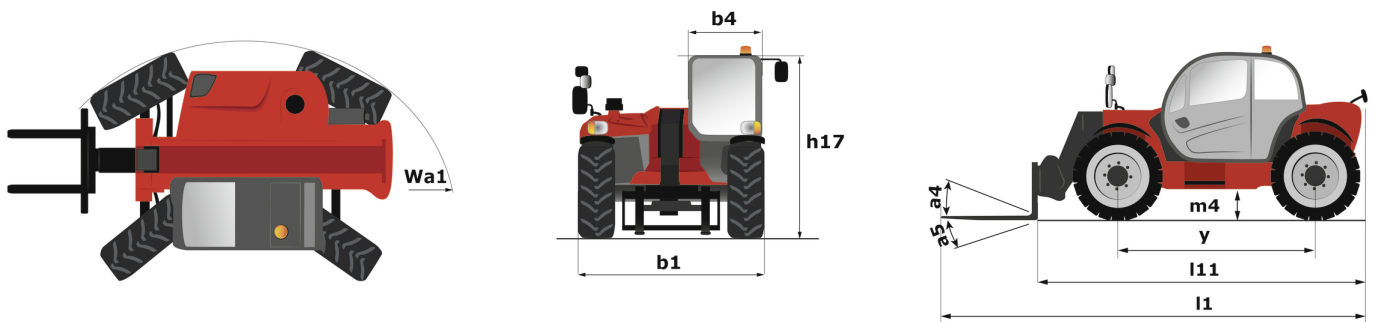
Options / Finishing

S : Standard / O : Optional / - : Not available

| |
|---|
| Lifting function |
| Hydraulic line for quick-release attachments |
| Operator station |
| 12V plug cigarette lighter type |
| Air suspension fabric seat - GRAMMER |
| Bluetooth USB radio - With extra microphone - 100W |
| Bluetooth USB radio - With integrated microphone - 100W |
| Car radio antenna |
| Document holder |
| Floor mat |
| Inner rear view mirror |
| Mirror on rear of the machine |
| Phone support |
| Rear wiper |
| Tuner car radio - 50W |
| Lighting |
| Beacon |
| Complete road lighting |
| Front and rear work lights |
| Rear electric plug |
| Security |
| Aggravating movements cut off EN 15000 |
| Battery cut-off |
| Emergency stop button outside the cab |
| Sun visor - On roof |
| Pneumatics |
| CAMSO SKS HAULER 12-16.5 |

| |
|----------|
| Standard |
| 0 |
| S |
| 0 |
| 0 |
| S/O** |
| 0 |
| 0 |
| S |
| 0 |
| S |
| 0 |
| S |
| 0 |
| S |
| S |
| 0 |
| S |
| S |
| S |
| 0 |
| S |

MT 625 H - Dimensional drawing



MT 625 H - Load chart

Machine on tires with forks Metric



**Head Office**

B.P. 249 - 430 rue de l'Aubinière
44150 Ancenis Cedex - France

Tel: +33 (0)2 40 09 10 11 - Fax: +33 (0)2 40 09 10 97

www.manitou.com



This publication provides a description of the configuration versions and options for Manitou products, which may differ for equipment. The equipment presented in this brochure may be part of a series, as an option, or it may not be available, depending on the versions. Manitou reserves the right, at any time and without notice, to amend the specifications described and represented. The specifications provided do not bind the manufacturer. For more details, please contact your Manitou agent. This is not a contractually binding document. The presentation of the products is not contractually binding. List of specifications non-exhaustive. The logos as well as the visual identity of the company are owned by Manitou and cannot be used without authorisation. All rights reserved. The photos and diagrams contained in this brochure are only provided for consultation and information purposes.

MANITOU BF SA - Limited company with board of directors - Share capital: 39,668,399 euros - 857 802 508 RCS Nantes