

Technical sheet :

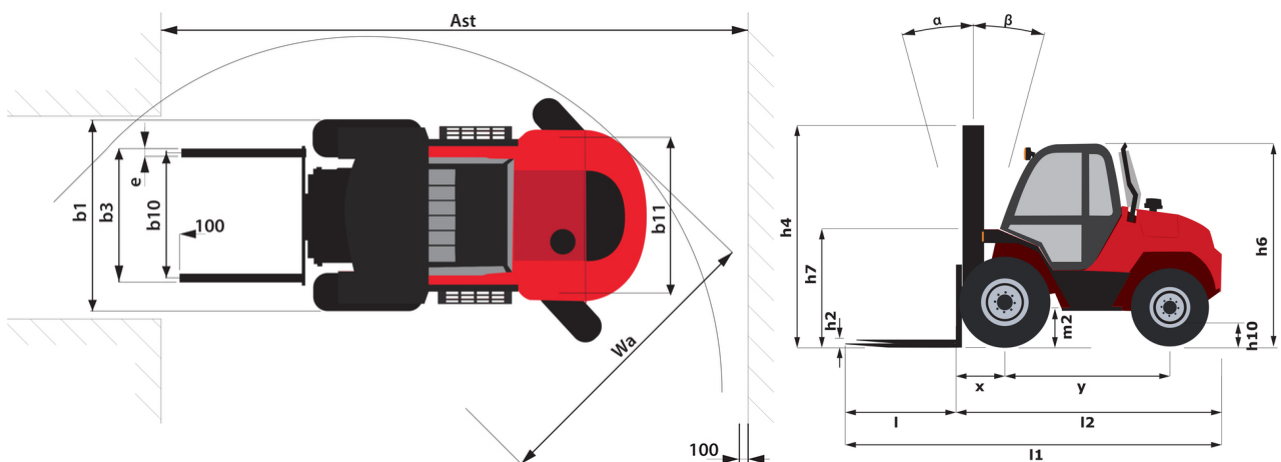
M 30-4 D ST5



 **MANITOU**
HANDLING YOUR WORLD

| Technical characteristics | | | Metric |
|---------------------------|--|-----------|---------------------------|
| 1.1 | Manufacturer | | MANITOU |
| 1.2 | Model Name | | M 30-4 D ST5 |
| 1.3 | Power source | | Diesel |
| 1.4 | Operator type | | Seated |
| 1.5 | Max. capacity | Q | 3000 kg |
| 1.6 | Load center of gravity | c | 500 mm |
| 1.8 | Load distance, centre of drive axle to fork | x | 747 mm |
| 1.9 | Wheelbase | y | 1995 mm |
| Weight | | | |
| 2.1 | Service weight | | 5965 kg |
| 2.2 | Weight on front axle (laden) / rear axle (laden) | | 7490 kg / 1475 kg |
| 2.3 | Weight on front axle (Unladen) / rear axle (Unladen) | | 2155 kg / 3810 kg |
| Wheels | | | |
| 3.1 | Tires type | | Pneumatic |
| 3.2 | Dimensions of front wheels | | 405/70-20 149B 1323 |
| 3.3 | Dimensions of rear wheels | | 10,5-18 12PR 1317 |
| 3.5 | Number of front wheels / rear wheels | | 2 / 2 |
| 3.5.2 | Number of drive wheels | | 4 |
| 3.6 | Front wheel gauge | b10 | 1520 mm |
| 3.7 | Rear wheel gauge | b11 | 1630 mm |
| Dimensions | | | |
| 4.7 | Height of overhead guard (cabin) / Overall height of low overhead guard (Buggie version) | h6 / h6* | 2458 mm / 2458 mm |
| 4.8 | Seat height/stand height | h7 | 1426 mm |
| 4.19 | Overall length | l1 | 4701 mm |
| 4.20 | Length to face of forks | l2 | 3501 mm |
| 4.21 | Overall width | b1 | 1927 mm |
| 4.22 | Forks section x width x length | s / e / l | 40 mm x 125 mm / 1200 mm |
| 4.23 | Fork carriage ISO 2328 (class/form) A/B | | 3A |
| 4.24 | Fork carriage width | b3 | 1470 mm |
| 4.31 | Ground clearance below mast | m1 | 399 mm |
| 4.32 | Ground clearance at centre of wheelbase | m2 | 395 mm |
| 4.33 | Aisle width for 1000 x 1200 pallet widthways | Ast | 6180 mm |
| 4.34 | Aisle width for 800 x 1200 pallet lengthways | Ast | 6180 mm |
| 4.35 | Turning radius | Wa | 4030 mm |
| Performances | | | |
| 5.1 | Travel speed (laden / unladen) | | 10 km/h / 22 km/h |
| 5.2 | Lifting speed (laden / unladen) | | 0.60 m/s / 0.60 m/s |
| 5.3 | Lowering speed (laden / unladen) | | 0.40 m/s / 0.40 m/s |
| 5.5 | Drawbar pull (Laden / Unladen) | | 6290 daN / 4250 daN |
| 5.10 | Service brake | | Hydraulic |
| Engine | | | |
| 7.2 | I.C. Engine power rating | | 55 kW |
| 7.1 | Engine brand / model / norm | | Deutz / TCD 2,9 / Stage V |
| 7.3 | Rated speed | | 2300 rpm |
| 7.4 | Number of cylinders / Capacity of cylinders | | 4 - 2925 cm ³ |
| Miscellaneous | | | |
| 8.2 | Working hydraulic pressure for attachments | | 185 bar |
| 8.3 | Oil flow rate for attachments | | 97 l/min |
| 8.4 | Sound level at the driver's ear according to DIN 12 053 | | 78 dB |

M 30-4 D ST5 - Dimensional drawing



Characteristics of masts and residual capacities

| Full Visibility Duplex (FVD) | | FVD 37 | FVD 45 |
|---|----|--------|--------|
| α - Mast/fork carriage tilt, forward | ° | 6 | 6 |
| β - Mast/fork carriage tilt, backward | ° | 12 | 12 |
| h1 - Mast lowered height | mm | 2689 | 3129 |
| h3 - Mast lifting height | mm | 3700 | 4500 |
| Residual capacity at max height | kg | 3000 | 3000 |
| Residual capacity with hooked-on side shift at max height | kg | 3000 | 3000 |
| Height at max capacity | mm | 3700 | 4500 |
| Height at max capacity with hooked-on sideshift | mm | 3700 | 4500 |

| Free Lift Triplex (FLT) | | FLT 43 | FLT 50 | FLT 65 |
|---|----|--------|--------|--------|
| α - Mast/fork carriage tilt, forward | ° | 6 | 6 | 6 |
| β - Mast/fork carriage tilt, backward | ° | 12 | 12 | 12 |
| h1 - Mast lowered height | mm | 2429 | 2689 | 3379 |
| h2 - Mast free lift | mm | 1573 | 1833 | 2523 |
| h3 - Mast lifting height | mm | 4300 | 5000 | 6500 |
| Residual capacity at max height | kg | 3000 | | |
| Residual capacity with hooked-on side shift at max height | kg | 3000 | 1600 | 500 |
| Height at max capacity | mm | 4300 | 2500 | 2500 |
| Height at max capacity with hooked-on sideshift | mm | 3000 | 4100 | 4300 |

| Full Visibility Triplex (FVT) | | FVT 55 | FVT 70 |
|---|----|--------|--------|
| α - Mast/fork carriage tilt, forward | ° | 6 | 6 |
| β - Mast/fork carriage tilt, backward | ° | 10 | 10 |
| h1 - Mast lowered height | mm | 2959 | 3629 |
| h3 - Mast lifting height | mm | 5500 | 7000 |
| Residual capacity at max height | kg | 2000 | |
| Residual capacity with hooked-on side shift at max height | kg | 1500 | |
| Height at max capacity | mm | 4200 | |
| Height at max capacity with hooked-on sideshift | mm | 4200 | |



Head Office

B.P. 249 - 430 rue de l'Aubinière

44150 Ancenis Cedex - France

Tel: +33 (0)2 40 09 10 11 - Fax: +33 (0)2 40 09 10 97

www.manitou.com



This publication provides a description of the configuration versions and options for Manitou products, which may differ for equipment. The equipment presented in this brochure may be part of a series, as an option, or it may not be available, depending on the versions. Manitou reserves the right, at any time and without notice, to amend the specifications described and represented. The specifications provided do not bind the manufacturer. For more details, please contact your Manitou agent. This is not a contractually binding document. The presentation of the products is not contractually binding. List of specifications non-exhaustive. The logos as well as the visual identity of the company are owned by Manitou and cannot be used without authorisation. All rights reserved. The photos and diagrams contained in this brochure are only provided for consultation and information purposes.

MANITOU BF SA - Limited company with board of directors - Share capital: 39,668,399 euros - 857 802 508 RCS Nantes