

Technical sheet :

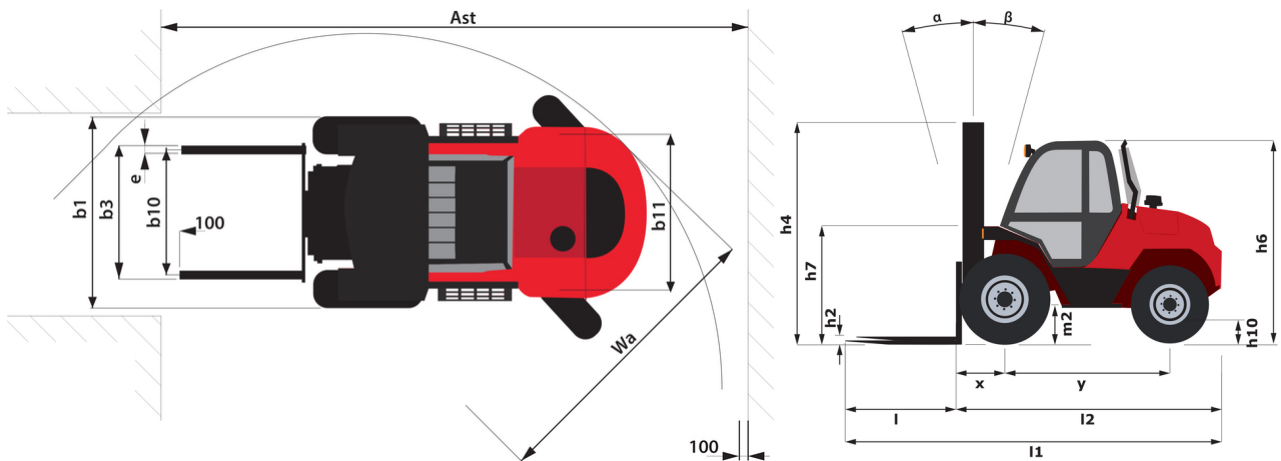
M 30-4 D ST5



 **MANITOU**
HANDLING YOUR WORLD

Technical characteristics		Imperial	
1.1	Manufacturer		MANITOU
1.2	Model Name		M 30-4 D ST5
1.3	Power source		Diesel
1.4	Operator type		Seated
1.5	Max. capacity	Q	6614 lb
1.6	Load center of gravity	c	20 in
1.8	Load distance, centre of drive axle to fork	x	29 in
1.9	Wheelbase	y	79 in
Weight			
	Standard mast reference of the machine		FVD 37
2.1	Service weight		13151 lb
2.2	Weight on front axle (laden) / rear axle (laden)		16513 lb / 3252 lb
2.3	Weight on front axle (Unladen) / rear axle (Unladen)		4751 lb / 8400 lb
Wheels			
3.1	Tires type		Pneumatic
3.2	Dimensions of front wheels		405/70-20 149B 1323
3.3	Dimensions of rear wheels		10,5-18 12PR 1317
3.5	Number of front wheels / rear wheels		2 / 2
3.5.2	Number of drive wheels		4
3.6	Front wheel gauge	b10	60 in
3.7	Rear wheel gauge	b11	64 in
Dimensions			
4.7	Height of overhead guard (cabin) / Overall height of low overhead guard (Buggie version)	h6 / h6*	97 in / 97 in
4.8	Seat height/stand height	h7	56 in
4.19	Overall length	l1	185 in
4.20	Length to face of forks	l2	138 in
4.21	Overall width	b1	76 in
4.22	Forks section x width x length	s / e / l	2 in x 5 in / 47 in
4.23	Fork carriage ISO 2328 (class/form) A/B		3A
4.24	Fork carriage width	b3	58 in
4.31	Ground clearance below mast	m1	16 in
4.32	Ground clearance at centre of wheelbase	m2	16 in
4.33	Aisle width for 1000 x 1200 pallet widthways	Ast	243 in
4.34	Aisle width for 800 x 1200 pallet lengthways	Ast	243 in
4.35	Turning radius	Wa	159 in
Performances			
5.1	Travel speed (laden / unladen)		6 mph / 14 mph
5.2	Lifting speed (laden / unladen)		2 ft/s / 2 ft/s
5.3	Lowering speed (laden / unladen)		1 ft/s / 1 ft/s
5.5	Drawbar pull (Laden / Unladen)		6290 daN / 4250 daN
5.10	Service brake		Hydraulic
	Transmission type		Torque converter
Engine			
7.2	I.C. Engine power rating		55 kW
7.1	Engine brand / model / norm		Deutz / TCD 2,9 / Stage V
7.3	Rated speed		2300 rpm
7.4	Number of cylinders / Capacity of cylinders		4 - 178 in³
Miscellaneous			
8.2	Working hydraulic pressure for attachments		2683 PSI
8.3	Oil flow rate for attachments		26 US gpm
8.4	Sound level at the driver's ear according to DIN 12 053		78 dB

M 30-4 D ST5 - Dimensional drawing



Characteristics of masts and residual capacities

Full Visibility Duplex (FVD)	FVD 37	FVD 45
α - Mast/fork carriage tilt, forward	6	6
β - Mast/fork carriage tilt, backward	12	12
h1 - Mast lowered height	105.9	123.2
h3 - Mast lifting height	145.7	177.2
Residual capacity at max height	6614	6614
Residual capacity with hooked-on side shift at max height	6614	6614
Height at max capacity	145.7	177.2
Height at max capacity with hooked-on sideshift	145.7	177.2

Free Lift Triplex (FLT)	FLT 43	FLT 50	FLT 65
α - Mast/fork carriage tilt, forward	6	6	6
β - Mast/fork carriage tilt, backward	12	12	12
h1 - Mast lowered height	95.6	105.9	133
h2 - Mast free lift	61.9	72.2	99.3
h3 - Mast lifting height	169.3	196.9	255.9
Residual capacity at max height	6614		
Residual capacity with hooked-on side shift at max height	6614	3527	1102
Height at max capacity	169.3	98.4	98.4
Height at max capacity with hooked-on sideshift	118.1	161.4	169.3

Full Visibility Triplex (FVT)	FVT 55	FVT 70
α - Mast/fork carriage tilt, forward	6	6
β - Mast/fork carriage tilt, backward	10	10
h1 - Mast lowered height	116.5	142.9
h3 - Mast lifting height	216.5	275.6
Residual capacity at max height	4409	
Residual capacity with hooked-on side shift at max height	3307	
Height at max capacity	165.4	
Height at max capacity with hooked-on sideshift	165.4	

Equipment

Optional
Audio warning on reverse
Enclosed Cab with Heat and A/C
Front and Rear - Work Lights
Joystick Switch and Move (JSM)
Load backrest
Open cab



Head Office

B.P. 249 - 430 rue de l'Aubinière

44150 Ancenis Cedex - France

Tel: +33 (0)2 40 09 10 11 - Fax: +33 (0)2 40 09 10 97

www.manitou.com



This publication provides a description of the configuration versions and options for Manitou products, which may differ for equipment. The equipment presented in this brochure may be part of a series, as an option, or it may not be available, depending on the versions. Manitou reserves the right, at any time and without notice, to amend the specifications described and represented. The specifications provided do not bind the manufacturer. For more details, please contact your Manitou agent. This is not a contractually binding document. The presentation of the products is not contractually binding. List of specifications non-exhaustive. The logos as well as the visual identity of the company are owned by Manitou and cannot be used without authorisation. All rights reserved. The photos and diagrams contained in this brochure are only provided for consultation and information purposes.

MANITOU BF SA - Limited company with board of directors - Share capital: 39,668,399 euros - 857 802 508 RCS Nantes