

Technical sheet :

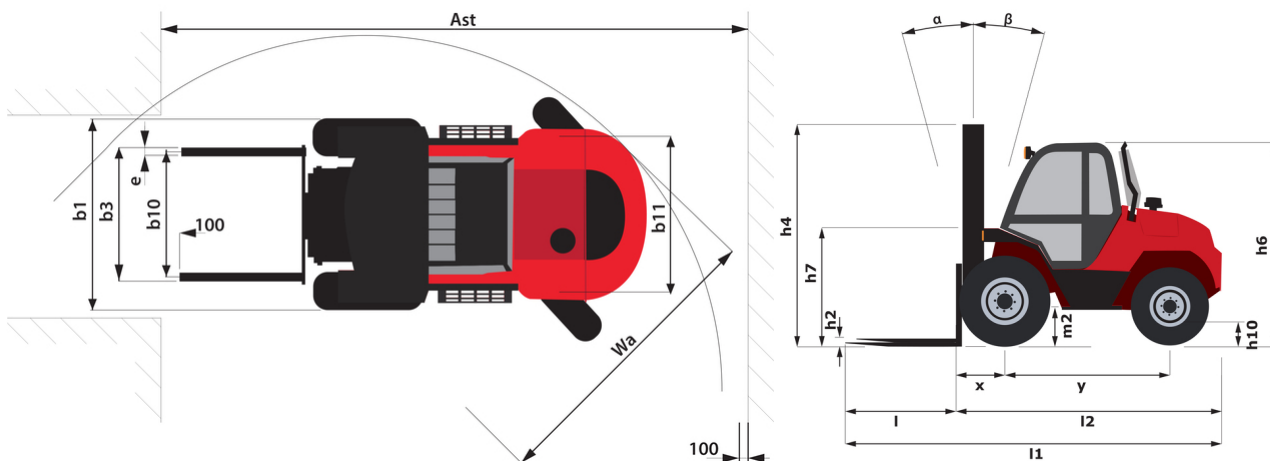
M 50-2 D ST5



 **MANITOU**
HANDLING YOUR WORLD

Technical characteristics		Metric	
1.1	Manufacturer		MANITOU
1.2	Model Name		M 50-2 D ST5
1.3	Power source		Diesel
1.4	Operator type		Seated
1.5	Max. capacity	Q	5000 kg
1.6	Load center of gravity	c	600 mm
1.8	Load distance, centre of drive axle to fork	x	773 mm
1.9	Wheelbase	y	2060 mm
Weight			
	Standard mast reference of the machine		FVD 37
2.1	Service weight		8275 kg
2.2	Weight on front axle (laden) / rear axle (laden)		11615 kg / 1660 kg
2.3	Weight on front axle (Unladen) / rear axle (Unladen)		3285 kg / 4990 kg
Wheels			
3.1	Tires type		Pneumatic
3.2	Dimensions of front wheels		18-19,5 18PR A224
3.3	Dimensions of rear wheels		10R17,5 G291 GY
3.5	Number of front wheels / rear wheels		2 / 2
3.5.2	Number of drive wheels		2
3.6	Front wheel gauge	b10	1600 mm
3.7	Rear wheel gauge	b11	1640 mm
Dimensions			
4.7	Height of overhead guard (cabin) / Overall height of low overhead guard (Buggie version)	h6	2440 mm / 2440 mm
4.8	Seat height/stand height	h7	1407 mm
4.19	Overall length	l1	4948 mm
4.20	Length to face of forks	l2	3748 mm
4.21	Overall width	b1	2057 mm
4.22	Forks section x width x length	s / e / l	60 mm x 150 mm / 1200 mm
4.23	Fork carriage ISO 2328 (class/form) A/B		4A
4.24	Fork carriage width	b3	1670 mm
4.31	Ground clearance below mast	m1	250 mm
4.32	Ground clearance at centre of wheelbase	m2	377 mm
4.33	Aisle width for 1000 x 1200 pallet widthways	Ast	5640 mm
4.34	Aisle width for 800 x 1200 pallet lengthways	Ast	5640 mm
4.35	Turning radius	Wa	3465 mm
Performances			
5.1	Travel speed (laden / unladen)		22 km/h / 22 km/h
5.2	Lifting speed (laden / unladen)		0.40 m/s / 0.40 m/s
5.3	Lowering speed (laden / unladen)		0.50 m/s / 0.40 m/s
5.5	Drawbar pull (Laden)		6900 daN
5.7	Gradeability (laden)		51 %
5.10	Service brake		Hydraulic
	Transmission type		Torque converter
Engine			
7.1	Engine brand / model / norm		Deutz / TCD 2,9 / Stage V
7.2	Engine power (Hp / kW)		75 Hp/55 kW
7.3	Rated speed		2300 rpm
7.4	Number of cylinders / Capacity of cylinders		4 - 2925 cm³
Miscellaneous			
8.2	Working hydraulic pressure for attachments		230 bar
8.3	Oil flow rate for attachments		52 l/min
8.4	Sound level at the driver's ear according to DIN 12 053		78 dB

M 50-2 D ST5 - Dimensional drawing



Characteristics of masts and residual capacities

Full Visibility Duplex (FVD)	FVD 33	FVD 35	FVD 37	FVD 40	FVD 45	FVD 50
α - Mast/fork carriage tilt, forward	15	15	15	15	15	10
β - Mast/fork carriage tilt, backward	15	15	15	15	15	15
h1 - Mast lowered height	2625	2725	2825	2975	3225	3475
h3 - Mast lifting height	3300	3700	3700	4000	4500	5000
Residual capacity at max height	5000	5000	5000	5000	4750	3500
Residual capacity with hooked-on side shift at max height	4700	4700	4700	4700	4400	
Height at max capacity	3300	3500	3700	4000	4000	4000
Height at max capacity with hooked-on sideshift	3300	3500	3700	4000	4000	

Free Lift Triplex (FLT)	FLT 43	FLT 45	FLT 47	FLT 50	FLT 55	FLT 60
α - Mast/fork carriage tilt, forward	15	15	15	10	10	10
β - Mast/fork carriage tilt, backward	15	15	15	15	15	15
h1 - Mast lowered height	2425	2500	2560	2675	2825	3000
h2 - Mast free lift	1455	1530	1590	1705	1855	2030
h3 - Mast lifting height	4300	4500	4700	5000	5500	6000
Residual capacity at max height		4500	3500	2000	2000	
Residual capacity with hooked-on side shift at max height	4400			3000	1600	250
Height at max capacity	2500	4000	4000	3700	5500	2500
Height at max capacity with hooked-on sideshift	3500			3700	3700	3200



Head Office

B.P. 249 - 430 rue de l'Aubinière
44150 Ancenis Cedex - France

Tel: +33 (0)2 40 09 10 11 - Fax: +33 (0)2 40 09 10 97

www.manitou.com



This publication provides a description of the configuration versions and options for Manitou products, which may differ for equipment. The equipment presented in this brochure may be part of a series, as an option, or it may not be available, depending on the versions. Manitou reserves the right, at any time and without notice, to amend the specifications described and represented. The specifications provided do not bind the manufacturer. For more details, please contact your Manitou agent. This is not a contractually binding document. The presentation of the products is not contractually binding. List of specifications non-exhaustive. The logos as well as the visual identity of the company are owned by Manitou and cannot be used without authorisation. All rights reserved. The photos and diagrams contained in this brochure are only provided for consultation and information purposes.

MANITOU BF SA - Limited company with board of directors - Share capital: 39,668,399 euros - 857 802 508 RCS Nantes