

Technical sheet :

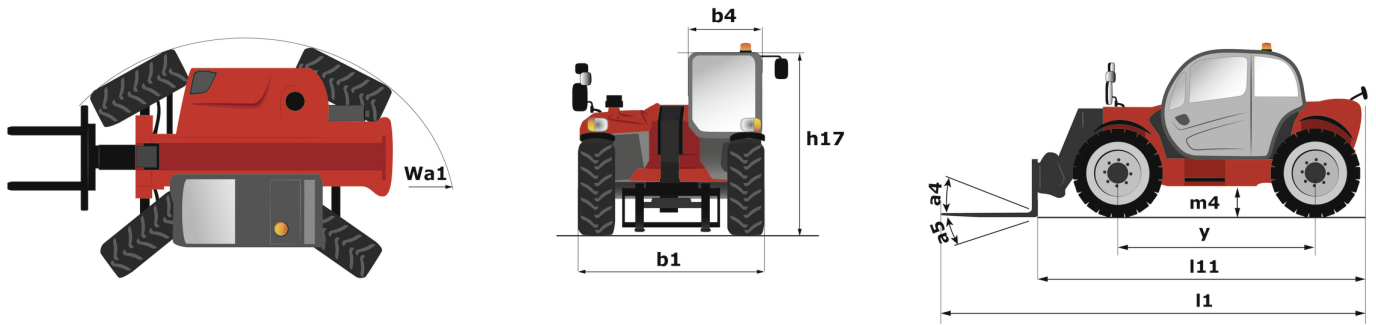
MT-X 625 HA COMFORT



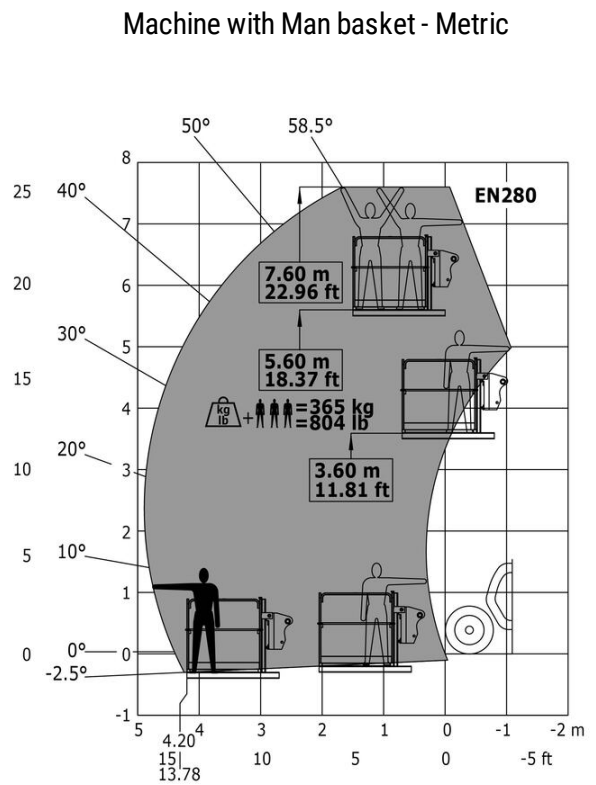
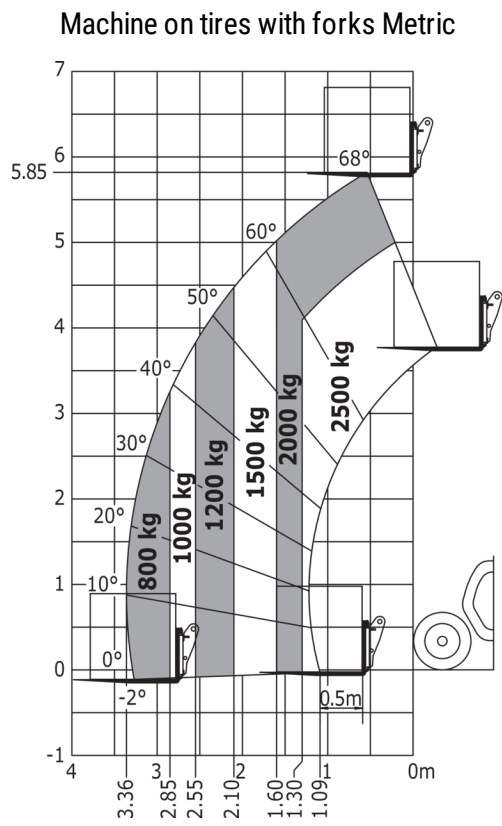
| Capacities | | Metric |
|--|-----------|---|
| Max. capacity | | 2500 kg |
| Max. lifting height | | 5.85 m |
| Max. outreach | | 3.40 m |
| Breakout force with bucket | | 3427 daN |
| Weight and dimensions | | |
| Overall length to carriage | l11 | 3.90 m |
| Length to face of forks | l2 | 3.90 m |
| Overall width | b1 | 1.81 m |
| Overall height | h17 | 1.92 m |
| Wheelbase | y | 2.30 m |
| Ground clearance | m4 | 0.33 m |
| Overall cab width | b4 | 0.79 m |
| Tilt-up angle | a4 | 12 ° |
| Tilt-down angle | a5 | 117 ° |
| External turning radius (over tyres) | Wa1 | 3.31 m |
| Unladen weight | | 5130 kg |
| Overall weight | | 4800 kg |
| Tires type | | Pneumatic |
| Standard tires | | Solideal 12-16,5 12PR SKS XT TL |
| Forks length / width / section | l / e / s | 1200 mm x 125 mm x 45 mm |
| Performances | | |
| Lifting | | 7.80 s |
| Lowering | | 5.50 s |
| Extension | | 5.40 s |
| Retraction | | 3.50 s |
| Crowd | | 3 s |
| Dump | | 3 s |
| Engine | | |
| Engine brand | | Kubota |
| Engine norm | | Stage IIIA |
| Number of cylinders / Capacity of cylinders | | 4 - 3331 cm³ |
| I.C. Engine power rating - Power | | 75 Hp / 55.40 kW |
| Max. torque / Engine rotation | | 265 Nm @ 1400 rpm |
| Drawbar pull (Laden) | | 3550 daN |
| Electric circuit | | |
| 12V Battery capacity | | 110 Ah |
| Transmission | | |
| Transmission type | | Hydrostatic |
| Number of gears (forward / reverse) | | 2 / 2 |
| Max. travel speed | | 24.90 km/h |
| Max. travel speed (may vary according to applicable regulations) | | 25 km/h |
| Parking brake | | Automatic negative parking brake |
| Service brake | | Oil-Immersed multi-discs braking on front axles |
| Axle Manufacturer | | Dana |
| Hydraulics | | |
| Hydraulic pump type | | Gear pump |
| Hydraulic flow / Pressure | | 90 l/min-235 bar |
| Tank capacities | | |
| Engine oil | | 11.20 l |
| Hydraulic oil | | 115 l |
| Hydraulic tank capacity | | 11.20 l |
| Fuel tank | | 63 l |
| Noise and vibration | | |
| Noise at driving position (LpA) | | 76 dB |
| Noise to environment (LwA) | | 104 dB |
| Vibration on hands/arms | | < 2.50 m/s² |
| Compatible platform | | |
| Platform capacity | Q | 365 kg |
| Number of people | | 3 |
| Platform dimensions (length x width) | lp / ep | 2000 m x 1200 m |
| Platform weight* | | 410 kg |
| Miscellaneous | | |
| Steering wheels (front / rear) | | 2 / 2 |
| Drive wheels (front / rear) | | 2 / 2 |
| Cab certification | | ROPS - FOPS cab (level 1) |
| Controls | | JSM |
| Additional information | | Data indicated with basket basket, except max. capacity, lifting height and offset. |

Data indicated with basket basket, except max. capacity, lifting height and offset.

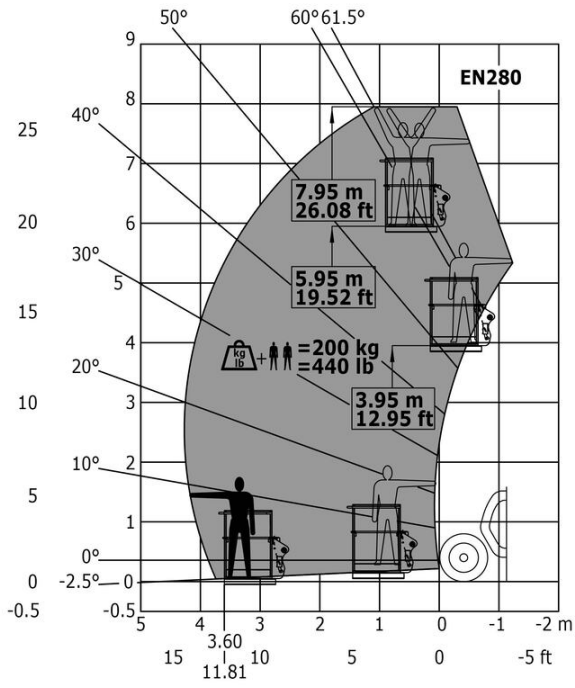
MT-X 625 HA Comfort - Dimensional drawing



MT-X 625 HA Comfort - Load chart



Load Chart metric





Head Office

B.P. 249 - 430 rue de l'Aubinière

44150 Ancenis Cedex - France

Tel: +33 (0)2 40 09 10 11 - Fax: +33 (0)2 40 09 10 97

www.manitou.com



This publication provides a description of the configuration versions and options for Manitou products, which may differ for equipment. The equipment presented in this brochure may be part of a series, as an option, or it may not be available, depending on the versions. Manitou reserves the right, at any time and without notice, to amend the specifications described and represented. The specifications provided do not bind the manufacturer. For more details, please contact your Manitou agent. This is not a contractually binding document. The presentation of the products is not contractually binding. List of specifications non-exhaustive. The logos as well as the visual identity of the company are owned by Manitou and cannot be used without authorisation. All rights reserved. The photos and diagrams contained in this brochure are only provided for consultation and information purposes.

MANITOU BF SA - Limited company with board of directors - Share capital: 39,668,399 euros - 857 802 508 RCS Nantes