

Technical sheet :

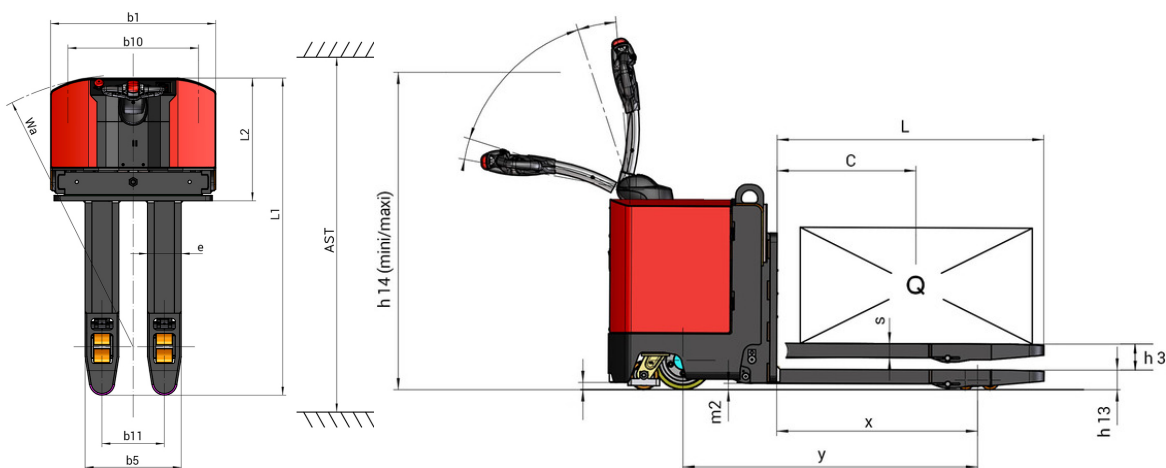
EP 730



 **MANITOU**
HANDLING YOUR WORLD

Technical characteristics			Metric	
1.1	Manufacturer			Manitou
1.2	Model Name			EP 730 S1
1.3	Power source			Electrical
1.4	Operator type			Pedestrian
1.5	Max. capacity	Q		3000 kg
1.6	Load center of gravity	c		600 mm
1.8	Load distance, centre of drive axle to fork	x		865 mm
1.9	Wheelbase	y		1269 mm
Weight				
2.1	Service weight			1340 kg
Wheels				
3.1	Tires type			Bandage
3.2	Dimensions of front wheels			254 x 100
3.3	Dimensions of rear wheels			82 x 100
3.4	Size of the stabilizer wheels			125 x 50
3.5.2	Number of drive wheels / front wheels / rear wheels			1 / 3 / 4
3.6	Front wheel gauge	b10		775 mm
3.7	Rear wheel gauge	b11		370 mm
Dimensions				
4.15	Fork height in low position	h13		85 mm
4.19	Overall length	l1		1880 mm
4.20	Length to face of forks	l2		725 mm
4.21	Overall width	b1		980 mm
4.22	Forks section / width / length	s / e / l		60 mm x 200 mm x 1150 mm
4.25	Forks spread	b5		570 mm
4.32	Ground clearance at centre of wheelbase	m2		25 mm
4.34	Aisle width for 800 x 1200 pallet lengthways	Ast		2150 mm
4.35	Turning radius	Wa		1615 mm
4.4	Mast lifting height	h3		112 mm
4.9	Height tiller min.	h14		1030 mm
4.9	Height tiller max.	h14		1490 mm
Performances				
5.1	Travel speed (laden / unladen)			5 km/h / 5 km/h
5.7	Gradeability (laden / unladen)			5% / 10%
5.10	Service brake			Electro magnetic
5.11	Parking brake			Handle Release
Engine				
6.1	Drive motor rating S2 60 min			2 kW
6.2	Lift motor rating at S3 15%			2 kW
6.3	Battery according to DIN 43531/35/36 A, B, C			DIN 43535-B
6.4	Battery voltage / capacity			24 V / 315 Ah
6.5	Battery weight (+/- 5%)			280 kg
Miscellaneous				
8.1	Type of drive control			DC
8.4	Measured/guaranteed mean noise level at the ear of the operator			< 75 dB

EP 730 - Dimensional drawing



**Head Office**

B.P. 249 - 430 rue de l'Aubinière

44150 Ancenis Cedex - France

Tel: +33 (0)2 40 09 10 11 - Fax: +33 (0)2 40 09 10 97

www.manitou.com

This publication provides a description of the configuration versions and options for Manitou products, which may differ for equipment. The equipment presented in this brochure may be part of a series, as an option, or it may not be available, depending on the versions. Manitou reserves the right, at any time and without notice, to amend the specifications described and represented. The specifications provided do not bind the manufacturer. For more details, please contact your Manitou agent. This is not a contractually binding document. The presentation of the products is not contractually binding. List of specifications non-exhaustive. The logos as well as the visual identity of the company are owned by Manitou and cannot be used without authorisation. All rights reserved. The photos and diagrams contained in this brochure are only provided for consultation and information purposes.

MANITOU BF SA - Limited company with board of directors - Share capital: 39,668,399 euros - 857 802 508 RCS Nantes