

Technical sheet :

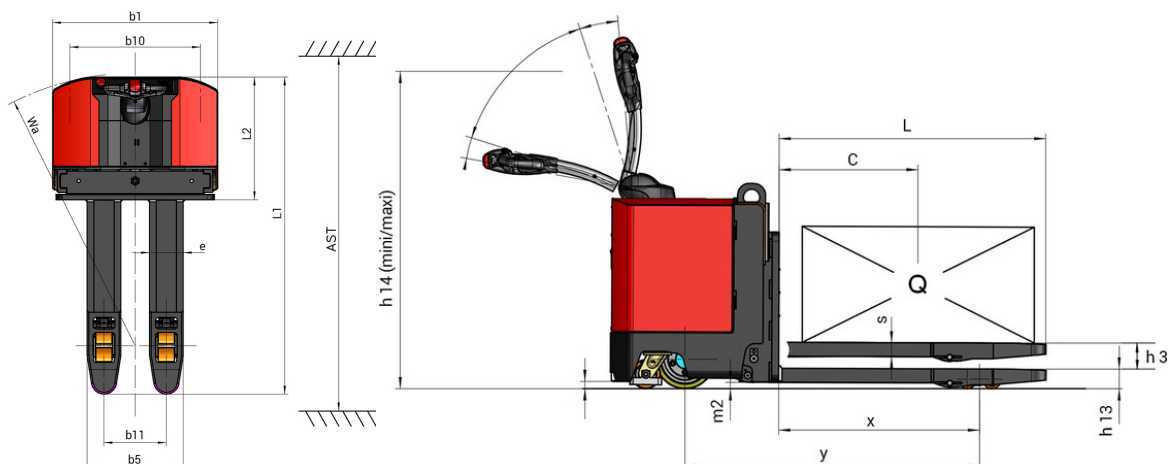
EP 740



 **MANITOU**
HANDLING YOUR WORLD

| Technical characteristics | | | Metric |
|---------------------------|---|-----------|--------------------------|
| 1.1 | Manufacturer | | Manitou |
| 1.2 | Model Name | | EP 740 |
| 1.3 | Power source | | Electrical - Lead |
| 1.4 | Operator type | | Pedestrian |
| 1.5 | Max. capacity | Q | 4000 kg |
| 1.6 | Load center of gravity | c | 600 mm |
| 1.8 | Load distance, centre of drive axle to fork | x | 865 mm |
| 1.9 | Wheelbase | y | 1269 mm |
| Weight | | | |
| 2.1 | Service weight | | 1340 kg |
| 2.2 | Weight on front axle (laden) / rear axle (laden) | | 2565 kg / 2775 kg |
| 2.3 | Weight on front axle (Unladen) / rear axle (Unladen) | | 1115 kg / 225 kg |
| Wheels | | | |
| 3.1 | Tires type | | Polyurethane cushion |
| 3.2 | Dimensions of front wheels | | 254 x 100 |
| 3.3 | Dimensions of rear wheels | | 82 x 100 |
| 3.4 | Size of the stabilizer wheels | | 125 x 50 |
| 3.5.2 | Number of drive wheels / front wheels / rear wheels | | 1 / 2 / 4 |
| 3.6 | Front wheel gauge | b10 | 775 mm |
| 3.7 | Rear wheel gauge | b11 | 370 mm |
| Dimensions | | | |
| 4.15 | Fork height in low position | h13 | 85 mm |
| 4.19 | Overall length | l1 | 1880 mm |
| 4.20 | Length to face of forks | l2 | 725 mm |
| 4.21 | Overall width | b1 | 980 mm |
| 4.22 | Forks section / width / length | s / e / l | 60 mm x 200 mm x 1150 mm |
| 4.25 | Forks spread | b5 | 570 mm |
| 4.32 | Ground clearance at centre of wheelbase | m2 | 25 mm |
| 4.33 | Aisle Width for pallets 1000 x 1200 crossways | Ast | 2100 mm |
| 4.34 | Aisle width for 800 x 1200 pallet lengthways | Ast | 2150 mm |
| 4.35 | Turning radius | Wa | 1615 mm |
| 4.4 | Mast lifting height | h3 | 112 mm |
| 4.9 | Height tiller min. | h14 | 1030 mm |
| 4.9 | Height tiller max. | h14 | 1490 mm |
| Performances | | | |
| 5.1 | Travel speed (laden / unladen) | | 5 km/h / 5 km/h |
| 5.7 | Gradeability (laden / unladen) | | 5 % / 10 % |
| 5.10 | Service brake | | Electro magnetic |
| 5.11 | Parking brake | | Handle Release |
| Engine | | | |
| 6.1 | Drive motor rating S2 60 min | | 2 kW |
| 6.2 | Lift motor rating at S3 15% | | 2 kW |
| 6.3 | Battery according to DIN 43531/35/36 A, B, C | | DIN 43535-B |
| 6.4 | Battery voltage / capacity | | 24 V / 315 Ah |
| 6.5 | Battery weight (+/- 5%) | | 280 kg |
| Miscellaneous | | | |
| 8.1 | Type of drive control | | AC |
| 8.4 | Measured/guaranteed mean noise level at the ear of the operator | | < 75 dB |

EP 740 - Dimensional drawing



**Head Office**

B.P. 249 - 430 rue de l'Aubinière
44150 Ancenis Cedex - France

Tel: +33 (0)2 40 09 10 11 - Fax: +33 (0)2 40 09 10 97

www.manitou.com



This publication provides a description of the configuration versions and options for Manitou products, which may differ for equipment. The equipment presented in this brochure may be part of a series, as an option, or it may not be available, depending on the versions. Manitou reserves the right, at any time and without notice, to amend the specifications described and represented. The specifications provided do not bind the manufacturer. For more details, please contact your Manitou agent. This is not a contractually binding document. The presentation of the products is not contractually binding. List of specifications non-exhaustive. The logos as well as the visual identity of the company are owned by Manitou and cannot be used without authorisation. All rights reserved. The photos and diagrams contained in this brochure are only provided for consultation and information purposes.

MANITOU BF SA - Limited company with board of directors - Share capital: 39,668,399 euros - 857 802 508 RCS Nantes