

Technical sheet :

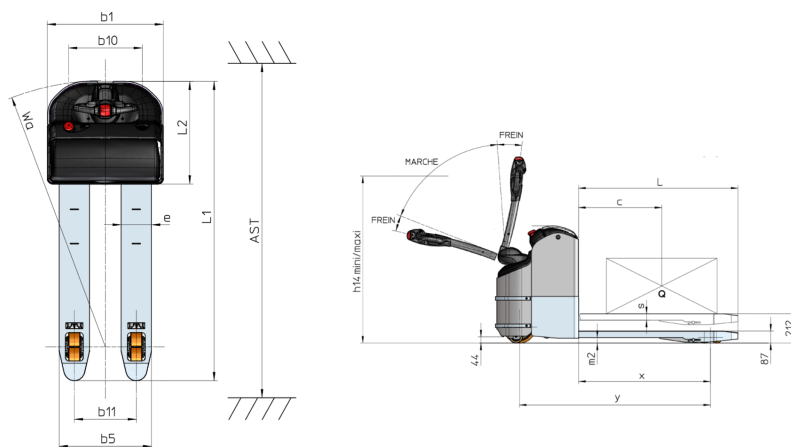
EP 20 INOX



 **MANITOU**
HANDLING YOUR WORLD

| Technical characteristics | | | Metric |
|---------------------------|---|-----------|--------------------------|
| 1.1 | Manufacturer | | Manitou |
| 1.2 | Model Name | | EP 20 Inox |
| 1.3 | Power source | | Electrical |
| 1.4 | Operator type | | Pedestrian |
| 1.5 | Max. capacity | Q | 2000 kg |
| 1.6 | Load center of gravity | c | 600 mm |
| 1.8 | Load distance, centre of drive axle to fork | x | 952 mm |
| 1.9 | Wheelbase | y | 1379 mm |
| Weight | | | |
| 2.1 | Service weight | | 482 kg |
| 2.2 | Weight on front axle (laden) / rear axle (laden) | | 1077 kg / 1405 kg |
| 2.3 | Weight on front axle (Unladen) / rear axle (Unladen) | | 337 kg / 145 kg |
| Wheels | | | |
| 3.1 | Tires type | | Bandage |
| 3.2 | Dimensions of front wheels | | 230 x 70 |
| 3.3 | Dimensions of rear wheels | | 82 x 68 |
| 3.5.2 | Number of drive wheels / front wheels / rear wheels | | 1 / 2 / 4 |
| 3.6 | Front wheel gauge | b10 | 435 mm |
| 3.7 | Rear wheel gauge | b11 | 365 mm |
| Dimensions | | | |
| 4.15 | Fork height in low position | h13 | 87 mm |
| 4.19 | Overall length | l1 | 1752 mm |
| 4.20 | Length to face of forks | l2 | 601 mm |
| 4.21 | Overall width | b1 | 684 mm |
| 4.22 | Forks section / width / length | s / e / l | 45 mm x 179 mm x 1150 mm |
| 4.25 | Fork spread | b5 | 544 mm |
| 4.32 | Ground clearance at centre of wheelbase | m2 | 40 mm |
| 4.34 | Aisle width for 800 x 1200 pallet lengthways | Ast | 2007 mm |
| 4.35 | Turning radius | Wa | 1560 mm |
| 4.4 | Mast lifting height | h3 | 125 mm |
| 4.9 | Height tiller min. | h14 | 870 mm |
| 4.9 | Height tiller max. | h14 | 1320 mm |
| Performances | | | |
| 5.1 | Travel speed (laden / unladen) | | 5 km/h / 5 km/h |
| 5.2 | Lifting speed (laden / unladen) | | 0.02 m/s / 0.03 m/s |
| 5.3 | Lowering speed (laden / unladen) | | 0.04 m/s / 0.02 m/s |
| 5.7 | Gradeability (laden / unladen) | | 10 % / 25 % |
| 5.10 | Service brake | | Electro magnetic |
| 5.11 | Parking brake | | Handle Release |
| Engine | | | |
| 6.1 | Drive motor rating S2 60 min | | 1.20 kW |
| 6.2 | Lift motor rating at S3 15% | | 1 kW |
| 6.3 | Battery according to DIN 43531/35/36 A, B, C | | DIN 43535-B |
| 6.4 | Battery voltage / capacity | | 24 V / 180 Ah |
| 6.5 | Battery weight (+/- 5%) | | 180 kg |
| Miscellaneous | | | |
| 8.1 | Type of drive control | | AC |
| 8.4 | Measured/guaranteed mean noise level at the ear of the operator | | < 75 dB |

EP 20 Inox - Dimensional drawing





Head Office

B.P. 249 - 430 rue de l'Aubinière

44150 Ancenis Cedex - France

Tel: +33 (0)2 40 09 10 11 - Fax: +33 (0)2 40 09 10 97

www.manitou.com



This publication provides a description of the configuration versions and options for Manitou products, which may differ for equipment. The equipment presented in this brochure may be part of a series, as an option, or it may not be available, depending on the versions. Manitou reserves the right, at any time and without notice, to amend the specifications described and represented. The specifications provided do not bind the manufacturer. For more details, please contact your Manitou agent. This is not a contractually binding document. The presentation of the products is not contractually binding. List of specifications non-exhaustive. The logos as well as the visual identity of the company are owned by Manitou and cannot be used without authorisation. All rights reserved. The photos and diagrams contained in this brochure are only provided for consultation and information purposes.

MANITOU BF SA - Limited company with board of directors - Share capital: 39,668,399 euros - 857 802 508 RCS Nantes