

Ficha técnica :

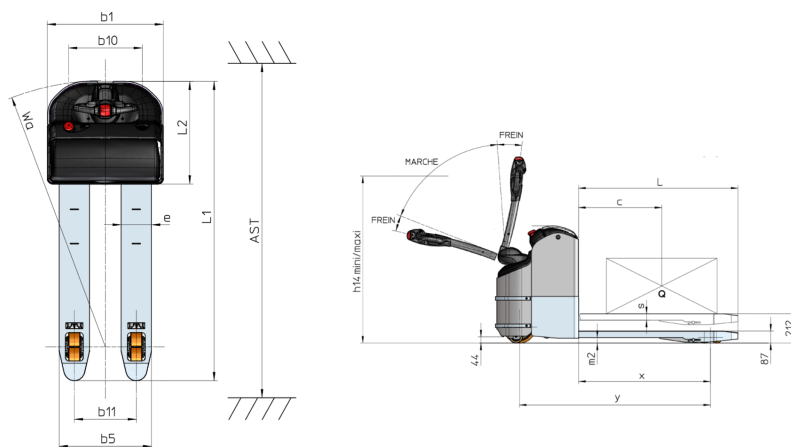
EP 20 INOX



 **MANITOU**
HANDLING YOUR WORLD

| Technical characteristics | | | Métrico | |
|---------------------------|---|-----------|---------|--------------------------|
| 1.1 | Manufacturer | | | Manitou |
| 1.2 | Model Name | | | EP 20 Inox |
| 1.3 | Power source | | | Electrical |
| 1.4 | Operator type | | | Pedestrian |
| 1.5 | Max. capacity | Q | | 2000 kg |
| 1.6 | Load center of gravity | c | | 600 mm |
| 1.8 | Load distance, centre of drive axle to fork | x | | 952 mm |
| 1.9 | Wheelbase | y | | 1379 mm |
| Weight | | | | |
| 2.1 | Service weight | | | 482 kg |
| 2.2 | Weight on front axle (laden) / rear axle (laden) | | | 1077 kg / 1405 kg |
| 2.3 | Weight on front axle (Unladen) / rear axle (Unladen) | | | 337 kg / 145 kg |
| Wheels | | | | |
| 3.1 | Tires type | | | Bandage |
| 3.2 | Dimensions of front wheels | | | 230 x 70 |
| 3.3 | Dimensions of rear wheels | | | 82 x 68 |
| 3.5.2 | Number of drive wheels / front wheels / rear wheels | | | 1 / 2 / 4 |
| 3.6 | Front wheel gauge | b10 | | 435 mm |
| 3.7 | Rear wheel gauge | b11 | | 365 mm |
| Dimensions | | | | |
| 4.15 | Fork height in low position | h13 | | 87 mm |
| 4.19 | Overall length | l1 | | 1752 mm |
| 4.20 | Length to face of forks | l2 | | 601 mm |
| 4.21 | Overall width | b1 | | 684 mm |
| 4.22 | Forks section / width / length | s / e / l | | 45 mm x 179 mm x 1150 mm |
| 4.25 | Fork spread | b5 | | 544 mm |
| 4.32 | Ground clearance at centre of wheelbase | m2 | | 40 mm |
| 4.34 | Aisle width for 800 x 1200 pallet lengthways | Ast | | 2007 mm |
| 4.35 | Turning radius | Wa | | 1560 mm |
| 4.4 | Mast lifting height | h3 | | 125 mm |
| 4.9 | Height tiller min. | h14 | | 870 mm |
| 4.9 | Height tiller max. | h14 | | 1320 mm |
| Performances | | | | |
| 5.1 | Travel speed (laden / unladen) | | | 5 km/h / 5 km/h |
| 5.2 | Lifting speed (laden / unladen) | | | 0.02 m/s / 0.03 m/s |
| 5.3 | Lowering speed (laden / unladen) | | | 0.04 m/s / 0.02 m/s |
| 5.7 | Gradeability (laden / unladen) | | | 10 % / 25 % |
| 5.10 | Service brake | | | Electro magnetic |
| 5.11 | Parking brake | | | Handle Release |
| Engine | | | | |
| 6.1 | Drive motor rating S2 60 min | | | 1.20 kW |
| 6.2 | Lift motor rating at S3 15% | | | 1 kW |
| 6.3 | Battery according to DIN 43531/35/36 A, B, C | | | DIN 43535-B |
| 6.4 | Battery voltage / capacity | | | 24 V / 180 Ah |
| 6.5 | Battery weight (+/- 5%) | | | 180 kg |
| Miscellaneous | | | | |
| 8.1 | Type of drive control | | | AC |
| 8.4 | Measured/guaranteed mean noise level at the ear of the operator | | | < 75 dB |

EP 20 Inox - Diagrama dimensional





 **MANITOU**
HANDLING YOUR WORLD

Oficina Central

B.P. 249 - 430 rue de l'Aubinière

44150 Ancenis Cedex - Francia

Tel.: 00 33 (0)2 40 09 10 11 - Fax: 00 33 (0)2 40 09 10 97

www.manitou.com



Esta publicación describe las versiones y posibilidades de configuración de los productos Manitou que puedan diferir en equipamiento. Los equipamientos presentados en este folleto pueden ser de serie, opcionales o no estar disponibles en algunas versiones. Manitou se reserva el derecho, en cualquier momento y sin previo aviso, de modificar las especificaciones descritas y representadas. Las especificaciones aportadas no comprometen al fabricante. Para más información, póngase en contacto con su concesionario Manitou. Documento no contractual. Presentación de los productos no contractual. Lista de especificaciones no exhaustiva. Los logos y la identidad visual de la empresa son propiedad de Manitou y no pueden ser utilizados sin autorización. Todos los derechos reservados. Las fotos y los esquemas contenidos en este folleto se ofrecen para consulta y a título indicativo solamente.

Manitou BF SA - Sociedad anónima con Consejo de Administración - Capital social: 39 668 399 euros - 857 802 508 RCS Nantes