

Ficha técnica :

# **MLT-X 741 T LSU**

---



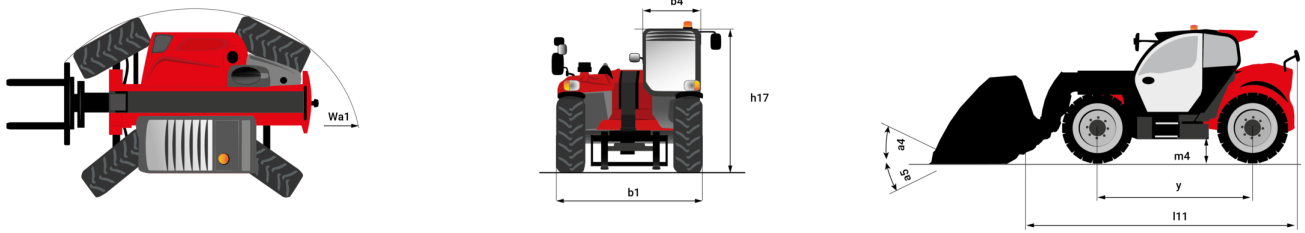
 **MANITOU**  
HANDLING YOUR WORLD

| Capacities  |     | Métrico  |
|---|-----|--|
| Max. capacity   | Q   | 4100 kg  |
| Max. lifting height   | h3  | 6.90 m   |
| Max. outreach   |     | 3.90 m   |
| Reach at max. height  |     | 1 m  |
| Breakout force with bucket  |     | 6825 daN   |
| Weight and dimensions   |     |  |
| Unladen weight (with forks)                                       |     | 7450 kg  |
| Ground clearance  | m4  | 0.44 m   |
| Wheelbase   | y   | 2.81 m   |
| Overall length to carriage (with hitch)                           | l11 | 4.99 m   |
| Front overhang  |     | 1.19 m   |
| Overall width   | b1  | 2.40 m   |
| Overall cab width   | b4  | 0.98 m   |
| Overall height  | h17 | 2.30 m   |
| Tilt-down angle   | a5  | 134 °  |
| Tilt-up angle   | a4  | 13 °   |
| External turning radius (over tyres)                              | Wa1 | 3.86 m   |
| Standard tires  |     | Firestone - R8000 UT - 460/70 R24 159A8                |
| Performances  |     |  |
| Lifting   |     | 8.10 s   |
| Lowering  |     | 6.20 s   |
| Extension   |     | 8.40 s   |
| Retraction  |     | 6.80 s   |
| Crowd   |     | 3.80 s   |
| Dump  |     | 3.20 s   |
| Engine  |     |  |
| Engine brand  |     | Perkins  |
| Engine norm   |     | Stage IIIA   |
| Engine model  |     | 1104D-44 T   |
| Number of cylinders - Capacity of cylinders                       |     | 4 - 4400 cm³   |
| I.C. Engine power rating / Power                                  |     | 101 Hp / 74.50 kW                                      |
| Max. torque / Engine rotation                                     |     | 410 Nm @1600 rpm                                       |
| Drawbar pull (Laden)  |     | 8200 daN   |
| Reversible fan  |     | Standard   |
| Engine cooling system   |     | 3 radiators water + intercooler + transmission oil     |
| Transmission  |     |  |
| Transmission type   |     | Torque converter                                       |
| Gearbox   |     | Powershuttle   |
| Number of gears (forward / reverse)                               |     | 4 / 4  |
| Max. travel speed (may vary according to applicable regulations)  |     | 35 km/h  |
| Differential lock   |     | Limited slip differential on front axle                |
| Parking brake   |     | Mechanical hand-operated parking brake                 |
| Service brake   |     | Oil-immersed multi-discs braking on front & rear axles |
| Hydraulics  |     |  |
| Hydraulic pump type   |     | Variable displacement pump                             |
| Hydraulic flow - Pressure   |     | 108 l/min - 270 bar                                    |
| Flow sharing distributor  |     | Standard   |
| Tank capacities   |     |  |
| Hydraulic tank capacity   |     | 135 l  |
| Fuel tank   |     | 142 l  |
| Noise and vibration   |     |  |
| Noise at driving position (LpA) tested following NF EN 12053 norm |     | 76 dB  |
| Noise to environment (LwA)  |     | 104 dB   |
| Vibration on hands/arms   |     | < 2.50 m/s²  |
| Miscellaneous   |     |  |
| Tractor homologation  |     | Tractor homologation                                   |
| Safety cab homologation   |     | Cabin ROPS - FOPS level 2                              |
| Controls  |     | JSM  |

## Optional tires tab

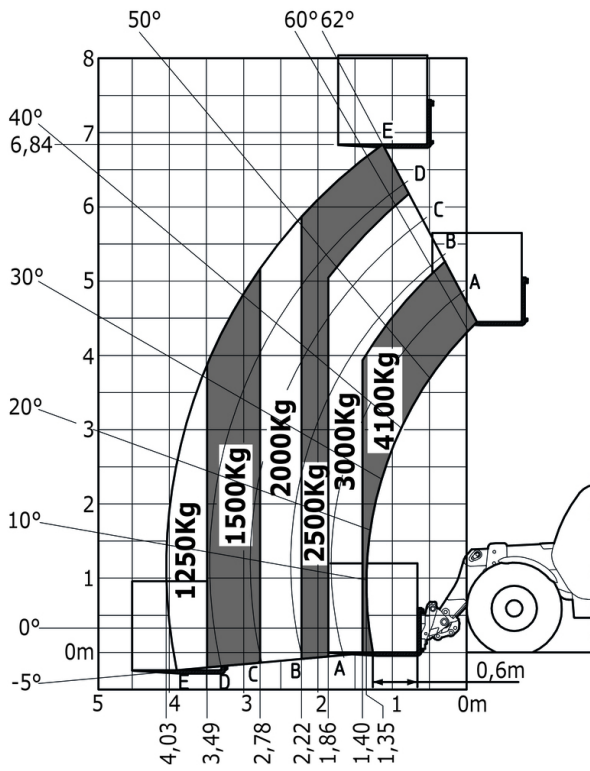
|                                       | Overall height | Overall width |
|---------------------------------------|----------------|---------------|
| ALLIANCE - A570 - 17,5 LR24           | -              | -             |
| ALLIANCE - A580 - 460/70 R24 159A8    | 2.30 m         | 2.40 m        |
| MICHELIN - XHA - 15.5 R25             | -              | -             |
| MICHELIN - XMCL - 500/70 R24 164A8    | 2.30 m         | 2.41 m        |
| NOKIAN - TRI STEEL - 460/65 R24 156A8 | 2.27 m         | 2.38 m        |

## MLT-X 741 T LSU - Diagrama dimensional



## MLT-X 741 T LSU - Diagramas de carga

Machine on tires with forks Metric





**Oficina Central**

B.P. 249 - 430 rue de l'Aubinière

44150 Ancenis Cedex - Francia

Tel.: 00 33 (0)2 40 09 10 11 - Fax: 00 33 (0)2 40 09 10 97

[www.manitou.com](http://www.manitou.com)



Esta publicación describe las versiones y posibilidades de configuración de los productos Manitou que puedan diferir en equipamiento. Los equipamientos presentados en este folleto pueden ser de serie, opcionales o no estar disponibles en algunas versiones. Manitou se reserva el derecho, en cualquier momento y sin previo aviso, de modificar las especificaciones descritas y representadas. Las especificaciones aportadas no comprometen al fabricante. Para más información, póngase en contacto con su concesionario Manitou. Documento no contractual. Presentación de los productos no contractual. Lista de especificaciones no exhaustiva. Los logos y la identidad visual de la empresa son propiedad de Manitou y no pueden ser utilizados sin autorización. Todos los derechos reservados. Las fotos y los esquemas contenidos en este folleto se ofrecen para consulta y a título indicativo solamente.

Manitou BF SA - Sociedad anónima con Consejo de Administración - Capital social: 39 668 399 euros - 857 802 508 RCS Nantes