

Technical sheet :

# **TMM 20 ST5**

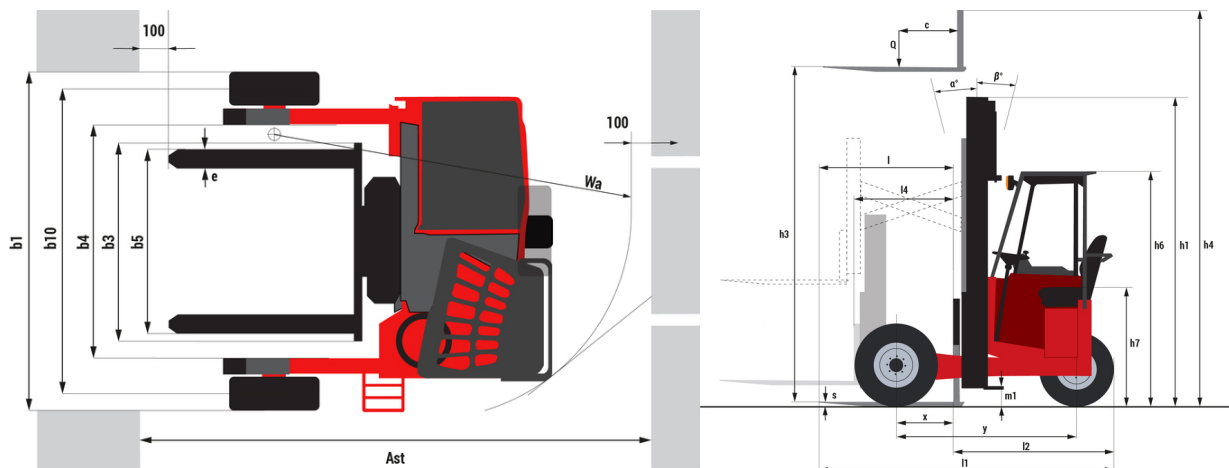
---



 **MANITOU**  
HANDLING YOUR WORLD

Technical characteristics			Metric
1.1	Manufacturer		MANITOU
1.2	Model Name		TMM 20 ST5
1.2.1	Reach out equipment		Pantograph
1.3	Power source		Diesel
1.4	Operator type		Seated
1.5	Max. capacity	Q	2000 kg
1.6	Load center of gravity	c	500 mm
1.8	Load distance, centre of drive axle to fork	x	490 mm
1.9	Wheelbase	y	1598 mm
Weight			
2.1	Service weight		2290 kg
2.2	Weight on front axle (laden) / rear axle (laden)		3050 kg / 1240 kg
2.3	Weight on front axle (Unladen) / rear axle (Unladen)		1050 kg / 1240 kg
Wheels			
3.1	Tires type		Pneumatic
3.2	Dimensions of front wheels		27x10-12 IC30
3.3	Dimensions of rear wheels		27x10-12 IC30
3.5	Number of front wheels / rear wheels		2 / 1
3.5.2	Drive wheels (front / rear)		2 / 1
3.6	Front wheel gauge	b10	2151 mm
Dimensions			
4.4	Max. lifting height	h3	4200 mm
4.7	Height of overhead guard (cabin)	h6	2120 mm
4.8	Seat height/stand height	h7	1070 mm
4.19	Overall length	l1	2650 mm
4.21	Overall width	b1	2406 mm
4.22	Forks section / width / length	s / e / l	40 mm x 122 mm x 1200 mm
4.23	Fork carriage ISO 2328 (class/form) A/B		2A
4.24	Fork carriage width	b3	1260 mm
4.26	Distance between support arms	b5	1165 mm
4.26	Distance between wheel arms/loading surfaces	b4	1600 mm
4.28	Maximum horizontal extension at COG 600	l4	1000 mm
4.32	Ground clearance at centre of wheelbase	m2	272 mm
4.34	Aisle width for 800 x 1200 pallet lengthways	Ast	3363 mm
4.35	Turning radius	Wa	2463 mm
Performances			
5.1	Travel speed (laden / unladen)		9.40 km/h - 9.50 km/h
5.2	Lifting speed (laden / unladen)		0.26 m/s / 0.24 m/s
5.3	Lowering speed (laden / unladen)		0.38 m/s / 0.24 m/s
5.7	Gradeability (laden / unladen)		56 % / 51 %
5.9	Acceleration time (laden / unladen)		4.10 s / 2.60 s
5.10	Service brake		Hydraulic brakes by loss of pressure
5.11	Transmission type		Hydrostatic
Engine			
7.1	Engine brand / norm / model		Kubota - Stage V / D1105-E4B-MNT2
7.2	I.C. Engine power rating		18.50 kW
7.3	Rated speed		3000 rpm
7.4	Number of cylinders / Capacity of cylinders		3 - 1123 cm³
Miscellaneous			
8.1	Type of drive control		Cable
8.2	Working hydraulic pressure for attachments		190 bar
8.3	Oil flow rate for attachments		43 l/min
8.4	Sound level at the driver's ear according to DIN 12 053		84 dB

### TMM 20 ST5 - Dimensional drawing



## Characteristics of masts and residual capacities

		Full Visibility Duplex (FVD)				
		FVD 30	FVD 36	FVD 42		
Residual Capacity (Maximum Height & LC = 600 mm)	Simple Reach	h1 - Mast lowered height	mm	2352	2702	3090
		h3 - Mast lifting height	mm	3000	3600	4200
		h4 - Mast extended height	mm	4455	5055	5695
		Pantograph reach in	kg	2000	2000	2500
		Pantograph reach out with stabilizers	kg	1750	1750	
		Pantograph reach out without stabilizers	kg	1050	1050	
	Double Reach	Telescopic forks reach in	kg	2000	2000	
		Telescopic Forks reach out with stabilizers	kg	1300	1300	
		Telescopic Forks reach out without stabilizers	kg	1100	1100	
		Pantograph & TF reach in	kg	2000	2000	
		Pantograph & TF reach out with stabilizers	kg	1100	1100	
		Pantograph & TF reach out without stabilizers	kg	550	550	



**Head Office**

B.P. 249 - 430 rue de l'Aubinière

44150 Ancenis Cedex - France

Tel: +33 (0)2 40 09 10 11 - Fax: +33 (0)2 40 09 10 97

[www.manitou.com](http://www.manitou.com)



This publication provides a description of the configuration versions and options for Manitou products, which may differ for equipment. The equipment presented in this brochure may be part of a series, as an option, or it may not be available, depending on the versions. Manitou reserves the right, at any time and without notice, to amend the specifications described and represented. The specifications provided do not bind the manufacturer. For more details, please contact your Manitou agent. This is not a contractually binding document. The presentation of the products is not contractually binding. List of specifications non-exhaustive. The logos as well as the visual identity of the company are owned by Manitou and cannot be used without authorisation. All rights reserved. The photos and diagrams contained in this brochure are only provided for consultation and information purposes.

MANITOU BF SA - Limited company with board of directors - Share capital: 39,668,399 euros - 857 802 508 RCS Nantes