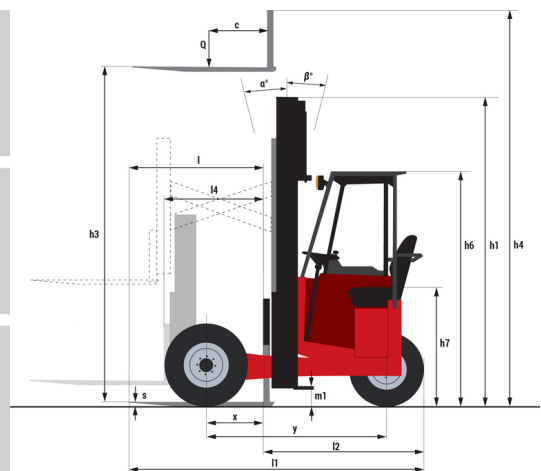
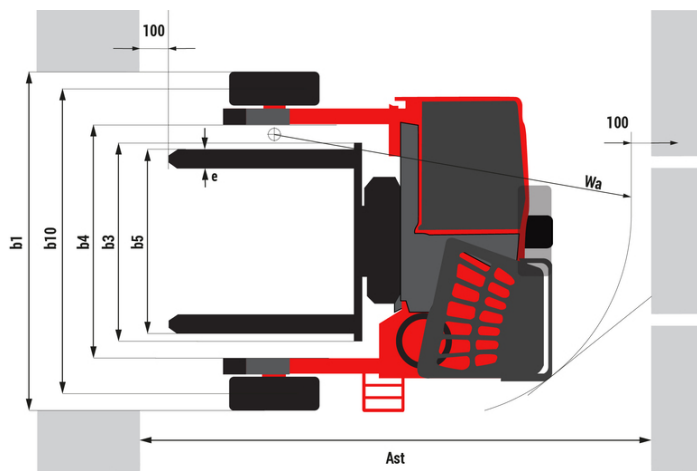
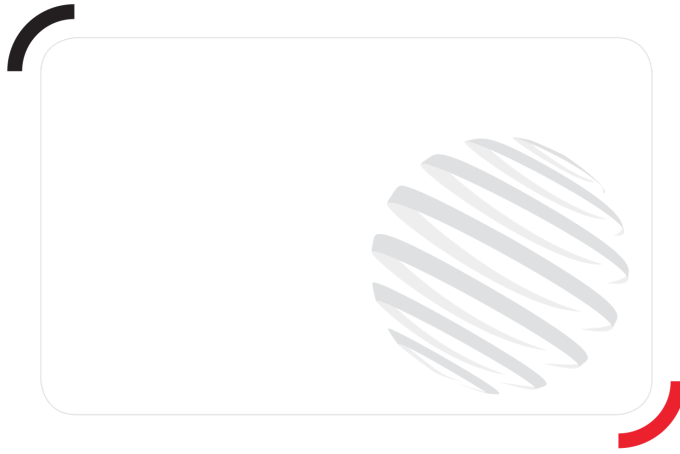


TMM 25 ST5



 **MANITOU**
HANDLING YOUR WORLD





 **MANITOU**
HANDLING YOUR WORLD

