

Technical sheet :

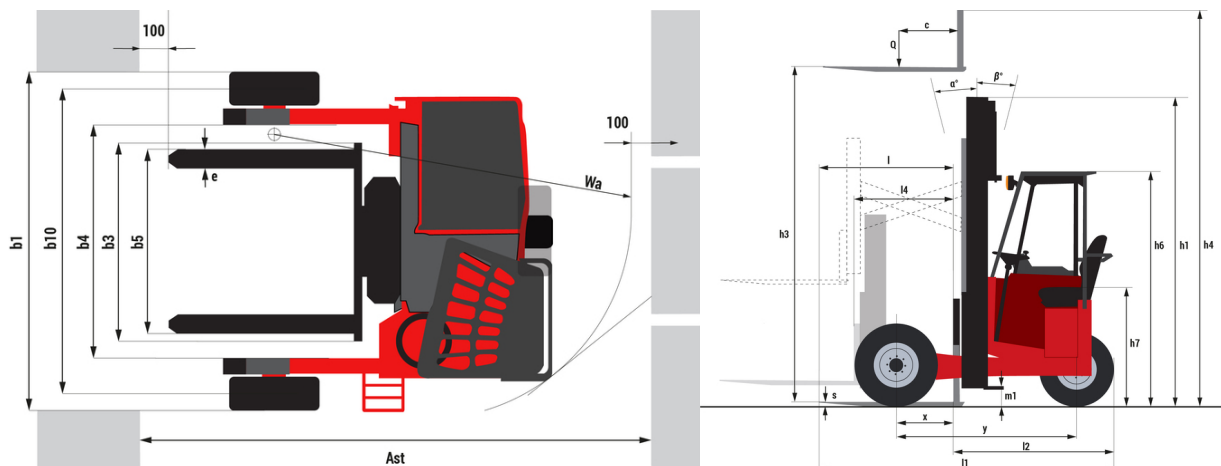
TMM 45 K ST5



 **MANITOU**
HANDLING YOUR WORLD

Technical characteristics		Imperial	
1.1	Manufacturer		MANITOU
1.2	Model Name		TMM 45 K ST5
1.2.1	Reach out equipment		Pantograph
1.3	Power source		Diesel
1.4	Operator type		Seated
1.5	Max. capacity	Q	4409 lb
1.6	Load center of gravity	c	20 in
1.8	Load distance, centre of drive axle to fork	x	19 in
1.9	Wheelbase	y	63 in
Weight			
	Standard mast reference of the machine		FVD 30
2.1	Service weight		5049 lb
2.2	Weight on front axle (laden) / rear axle (laden)		6724 lb / 2734 lb
2.3	Weight on front axle (Unladen) / rear axle (Unladen)		2315 lb / 2734 lb
Wheels			
3.1	Tires type		Pneumatic
3.2	Dimensions of front wheels		27x10-12 IC30
3.3	Dimensions of rear wheels		27x10-12 IC30
3.5	Number of front wheels / rear wheels		2 / 1
3.5.2	Drive wheels (front / rear)		2 / 1
3.6	Front wheel gauge	b10	85 in
Dimensions			
4.4	Max. lifting height	h3	118 in
4.5	Height telescopic boom extended	h4	199 in
4.7	Height of overhead guard (cabin)	h6	83 in
4.8	Seat height/stand height	h7	41 in
4.19	Overall length	l1	104 in
4.21	Overall width	b1	95 in
4.22	Forks section / width / length	s / e / l	2 in x 5 in x 47 in
4.23	Fork carriage ISO 2328 (class/form) A/B		2A
4.24	Fork carriage width	b3	50 in
4.26	Distance between support arms	b5	46 in
4.26	Distance between wheel arms/loading surfaces	b4	63 in
4.28	Maximum horizontal extension at COG 600	l4	39 in
4.32	Ground clearance at centre of wheelbase	m2	11 in
4.34	Aisle width for 800 x 1200 pallet lengthways	Ast	132 in
4.35	Turning radius	Wa	97 in
Performances			
5.1	Travel speed (laden / unladen)		7 mph - 7 mph
5.2	Lifting speed (laden / unladen)		0.85 ft/s / 0.79 ft/s
5.3	Lowering speed (laden / unladen)		1 ft/s / 0.79 ft/s
5.7	Gradeability (laden / unladen)		50 % / 51 %
5.9	Acceleration time (laden / unladen)		4.10 s / 2.60 s
5.10	Service brake		Hydraulic brakes by loss of pressure
	Transmission type		Hydrostatic
Engine			
7.1	Engine brand / norm / model		Kubota - Stage V / D1105-E4B-MNF2
7.2	I.C. Engine power rating		18.50 kW
7.3	Rated speed		3000 rpm
7.4	Number of cylinders / Capacity of cylinders		3 - 69 in³
Miscellaneous			
8.1	Type of drive control		Cable
8.2	Working hydraulic pressure for attachments		2756 PSI
8.3	Oil flow rate for attachments		11 US gpm
8.4	Sound level at the driver's ear according to DIN 12 053		84 dB

TMM 45 K ST5 - Dimensional drawing



Characteristics of masts and residual capacities

		Full Visibility Duplex (FVD)			
			FVD 30	FVD 36	
Residual Capacity (Maximum Height & LC = 600 mm)	Simple Reach	h1 - Mast lowered height	in	92.6	106.4
		h3 - Mast lifting height	in	118.1	141.7
		h4 - Mast extended height	in	175.4	199
		Pantograph reach in	lb	4409	4409
	Double Reach	Pantograph reach out with stabilizers	lb	3858	3858
		Pantograph reach out without stabilizers	lb	2315	2315
		Telescopic forks reach in	lb	4409	4409
		Telescopic Forks reach out with stabilizers	lb	2866	2866
		Telescopic Forks reach out without stabilizers	lb	2425	2535
		Pantograph & TF reach in	lb	4409	4409
	Double Reach	Pantograph & TF reach out with stabilizers	lb	2425	2425
		Pantograph & TF reach out without stabilizers	lb	1213	1213



Head Office

B.P. 249 - 430 rue de l'Aubinière

44150 Ancenis Cedex - France

Tel: +33 (0)2 40 09 10 11 - Fax: +33 (0)2 40 09 10 97

www.manitou.com



This publication provides a description of the configuration versions and options for Manitou products, which may differ for equipment. The equipment presented in this brochure may be part of a series, as an option, or it may not be available, depending on the versions. Manitou reserves the right, at any time and without notice, to amend the specifications described and represented. The specifications provided do not bind the manufacturer. For more details, please contact your Manitou agent. This is not a contractually binding document. The presentation of the products is not contractually binding. List of specifications non-exhaustive. The logos as well as the visual identity of the company are owned by Manitou and cannot be used without authorisation. All rights reserved. The photos and diagrams contained in this brochure are only provided for consultation and information purposes.

MANITOU BF SA - Limited company with board of directors - Share capital: 39,668,399 euros - 857 802 508 RCS Nantes