

Technical sheet :

# **MLT 635-130 PS+ (S2)**

---



 **MANITOU**  
HANDLING YOUR WORLD

| Capacities  |     | Metric   |
|---|-----|--|
| Max. capacity   | Q   | 3500 kg  |
| Max. lifting height   |     | 6.13 m   |
| Maximum outreach  |     | 3.26 m   |
| Reach at max. height  |     | 0.60 m   |
| Breakout force with bucket  |     | 5900 daN   |
| Weight and dimensions   |     |  |
| Unladen weight (with forks)                                       |     | 7490 kg  |
| Ground clearance  | m4  | 0.41 m   |
| Wheelbase   | y   | 2.60 m   |
| Overall length to carriage (with hitch)                           | l11 | 4.71 m   |
| Front overhang  |     | 1.16 m   |
| Overall width   | b1  | 2.39 m   |
| Overall cab width   | b4  | 0.95 m   |
| Overall height  | h17 | 2.38 m   |
| Tilt-down angle   | a5  | 133 °  |
| Tilt-up angle   | a4  | 14 °   |
| External turning radius (over tyres)                              | Wa1 | 3.77 m   |
| Standard tires  |     | Alliance - A580 - 460/70 R24 159A8                                   |
| Drive wheels (front / rear)                                       |     | 2 / 2  |
| Steering mode   |     | Manicrab, 2 wheel steer, 4 wheel steer, Crab mode                    |
| Performances  |     |  |
| Lifting   |     | 6.40 s   |
| Lowering  |     | 5.30 s   |
| Extension   |     | 5 s  |
| Retraction  |     | 4.30 s   |
| Crowd   |     | 3.70 s   |
| Dump  |     | 3 s  |
| Engine  |     |  |
| Engine brand  |     | Deutz  |
| Engine norm   |     | Stage V  |
| Engine model  |     | TCD 3.6 L4   |
| Number of cylinders - Capacity of cylinders                       |     | 4 - 3621 cm <sup>3</sup>   |
| Engine power (Hp / kW)  |     | 129 Hp / 95 kW   |
| Max. torque / Engine rotation                                     |     | 500 Nm @1600 rpm   |
| Drawbar pull (Laden)  |     | 7870 daN   |
| Reversible fan  |     | Standard   |
| Engine cooling system   |     | 4 radiators (water + intercooler + hydraulic oil + transmission oil) |
| HVO validated (according to EN 15940 standard)                    |     | Yes  |
| Transmission  |     |  |
| Transmission type   |     | Torque converter   |
| Gearbox   |     | Powershift   |
| Number of gears (forward / reverse)                               |     | 6 / 3  |
| Max. travel speed (may vary according to applicable regulations)  |     | 40 km/h  |
| Differential lock   |     | Limited slip differential on front axle                              |
| Parking brake   |     | Automatic negative parking brake                                     |
| Service brake   |     | Oil-immersed multi-discs braking on front & rear axles               |
| Hydraulics  |     |  |
| Hydraulic pump type   |     | Variable displacement pump   |
| Hydraulic flow - Pressure   |     | 150 l/min - 270 bar  |
| Flow sharing distributor  |     | Standard   |
| Tank capacities   |     |  |
| Hydraulic tank capacity   |     | 135 l  |
| Fuel  |     | 120 l  |
| Diesel Exhaust fluid (AdBlue® type)                               |     | 10 l   |
| Noise and vibration   |     |  |
| Noise at driving position (LpA) tested following NF EN 12053 norm |     | 72 dB  |
| Vibration on hands/arms   |     | < 2.50 m/s <sup>2</sup>  |
| Miscellaneous   |     |  |
| Tractor homologation  |     | Tractor homologation   |
| Cab certification   |     | Cabin ROPS - FOPS level 2  |
| Controls  |     | JSM  |

## Optional tires tab

|  | Overall height | Overall width |
|--|----------------|---------------|
| ALLIANCE - A585 - 460/70 R24 159A8       | 2.37 m         | 2.40 m        |
| NOKIAN - TRI STEEL - 460/65 R24 156A8    | 2.36 m         | 2.40 m        |
| MICHELIN - BIBLOAD - 460/70 R24 159A8    | 2.37 m         | 2.40 m        |
| MICHELIN - XHA - 15.5 R25 158A2          | 2.37 m         | 2.40 m        |
| MICHELIN - XMCL - 460/70 R24 159A8       | 2.37 m         | 2.40 m        |
| TRELLEBORG - TH400 - 460/70 R24 159A8    | 2.37 m         | 2.40 m        |
| TRELLEBORG - TH500 - 460/70 R24 159A8    | 2.37 m         | 2.40 m        |
| VREDESTEIN - ENDURION - 460/70 R24 159A8 | 2.38 m         | 2.41 m        |

## Options / Finishing

S : Standard / O : Optional / - : Not available

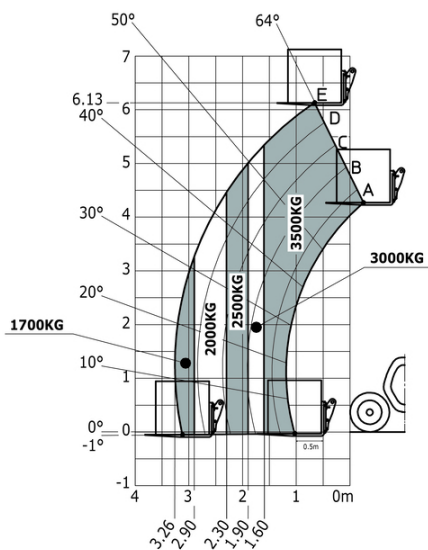
|   | Classic | Premium | Elite | Platinum |
|---|---------|---------|-------|----------|
| <b>Lifting function</b>                                   |         |         |       |          |
| Attachment hydraulic locking                              | 0       | 0       | 0     | S        |
| Intelligent hydraulics                                    | 0       | 0       | 0     | S        |
| Regenerative Hydraulics                                   | 0       | 0       | 0     | S        |
| <b>Operator station</b>                                   |         |         |       |          |
| Additional front wiper - Without washer                   | 0       | S       | S     | S        |
| Air suspension fabric seat - GRAMMER                      | 0       | S       | -     | -        |
| Automatic wheel alignment                                 | 0       | 0       | S     | S        |
| Bluetooth USB radio - With extra microphone - 100W        | 0       | 0       | S     | S        |
| Bluetooth USB radio - With integrated microphone - 100W   | 0       | S       | -     | -        |
| Boom suspension "Active CRC"                              | 0       | 0       | S     | S        |
| Enclosed cab + Heater and automatic air conditioning      | 0       | S       | S     | S        |
| Exterior right electric rear-view mirror with defroster   | 0       | 0       | S     | S        |
| HighView camera on boom head (Telescopic part)            | 0       | 0       | 0     | S        |
| Lateral wiper   | S       | S       | S     | S        |
| Low frequency air suspension fabric seat - GRAMMER        | 0       | 0       | S     | -        |
| Low frequency air suspension heated fabric seat - GRAMMER | 0       | 0       | 0     | S        |
| Mechanical suspension fabric seat - GRAMMER               | S       | -       | -     | -        |
| Right hand side and rear SafeView cameras                 | 0       | 0       | 0     | S        |
| Storage box - On the shelf                                | 0       | 0       | 0     | S        |
| Tuner car radio - 50W                                     | S       | -       | -     | -        |
| Vision screen - 7 in.                                     | S       | S       | S     | S        |
| <b>Motorization/Power</b>                                 |         |         |       |          |
| Auto reversing fan  | S       | S       | S     | S        |
| Continuous flow hydraulics                                | 0       | 0       | S     | S        |
| Hand throttle   | 0       | 0       | S     | S        |
| <b>Secondary functions</b>                                |         |         |       |          |
| Automatic greasing system (AGS) - Chassis + boom          | 0       | 0       | 0     | S        |
| <b>Lighting</b>   |         |         |       |          |
| LED front road lights                                     | 0       | 0       | 0     | S        |
| LED side work lights                                      | 0       | 0       | 0     | S        |
| LED work lights - On boom head (Telescopic part)          | 0       | 0       | 0     | S        |

## MLT 635-130 PS+ (S2) - Dimensional drawing



# MLT 635-130 PS+ (S2) - Load chart

Machine on tires with forks Metric





**Head Office**

B.P. 249 - 430 rue de l'Aubinière  
44150 Ancenis Cedex - France

Tel: +33 (0)2 40 09 10 11 - Fax: +33 (0)2 40 09 10 97

[www.manitou.com](http://www.manitou.com)



This publication provides a description of the configuration versions and options for Manitou products, which may differ for equipment. The equipment presented in this brochure may be part of a series, as an option, or it may not be available, depending on the versions. Manitou reserves the right, at any time and without notice, to amend the specifications described and represented. The specifications provided do not bind the manufacturer. For more details, please contact your Manitou agent. This is not a contractually binding document. The presentation of the products is not contractually binding. List of specifications non-exhaustive. The logos as well as the visual identity of the company are owned by Manitou and cannot be used without authorisation. All rights reserved. The photos and diagrams contained in this brochure are only provided for consultation and information purposes.

MANITOU BF SA - Limited company with board of directors - Share capital: 39,668,399 euros - 857 802 508 RCS Nantes