

Technical sheet :

MLT 625 E

OXYGEN



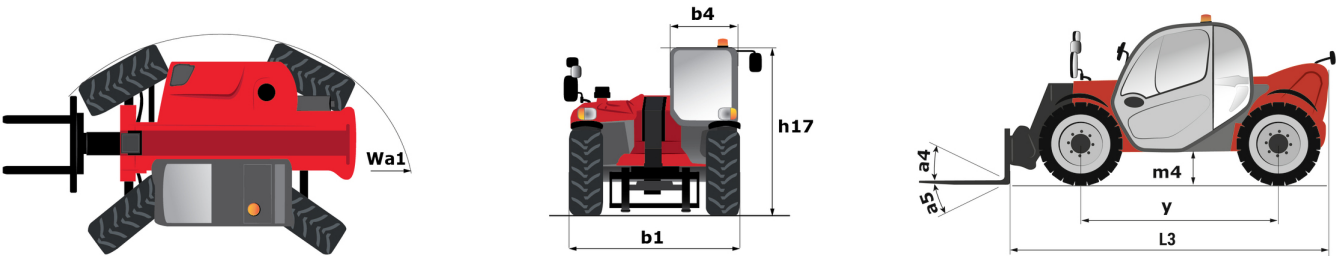
 **MANITOU**
HANDLING YOUR WORLD

| Capacities | | Metric |
|--|-----|---|
| Max. capacity | Q | 2500 kg |
| Max. lifting height | | 5.90 m |
| Max. outreach | | 3.30 m |
| Reach at max. height | | 0.50 m |
| Breakout force with bucket | | 3770 daN |
| Weight and dimensions | | |
| Unladen weight (with forks) | | 4762 kg |
| Ground clearance | m4 | 0.38 m |
| Wheelbase | y | 2.30 m |
| Overall length to carriage (with hitch) | l11 | 3.90 m |
| Overall length to carriage (without hitch) | l3 | 3.90 m |
| Overall width | b1 | 1.81 m |
| Overall cab width | b4 | 0.80 m |
| Overall height | h17 | 2 m |
| Tilt-down angle | a5 | 117 ° |
| Tilt-up angle | a4 | 12 ° |
| External turning radius (over tyres) | Wa1 | 3.31 m |
| Standard tires | | Alliance - A580 - 300/75 R18 142A8 |
| Steering mode | | Manicrab, 2 wheel steer, 4 wheel steer, Crab mode |
| Performances | | |
| Lifting | | 11.10 s |
| Lowering | | 8 s |
| Extension | | 7.70 s |
| Retraction | | 7.40 s |
| Crowd | | 4.45 s |
| Dump | | 4.30 s |
| Engine/Battery | | |
| Battery technology | | Lithium-ion |
| Battery capacity | | 348 Ah |
| Battery energy | | 34.80 kWh |
| Drive motor power rating | | 40 kW |
| Hydraulic motor power | | 30 kW |
| Charger Power | | 9 kW |
| Electric circuit | | |
| Battery nominal voltage | | 100 V |
| 12V Battery capacity | | 74 Ah |
| Transmission | | |
| Transmission type | | Electrical |
| Number of gears (forward / reverse) | | 1 / 1 |
| Max. travel speed (may vary according to applicable regulations) | | 20 km/h |
| Differential lock | | Limited slip differential on front axle |
| Parking brake | | Automatic negative parking brake |
| Service brake | | Oil-Immersed multi-discs braking on front axles |
| Hydraulics | | |
| Hydraulic pump type | | Gear pump |
| Hydraulic flow - Pressure | | 84 l/min - 235 bar |
| Flow sharing distributor | | Standard |
| Tank capacities | | |
| Hydraulic tank capacity | | 80 l |
| Noise and vibration | | |
| Noise at driving position (LpA) tested following NF EN 12053 nom | | 72 dB |
| Noise to environment (LwA) | | 92 dB |
| Vibration on hands/arms | | < 2.50 m/s ² |
| Miscellaneous | | |
| Cab certification | | ROPS - FOPS cab (level 1) |
| Controls | | JSM |

Optional tires tab

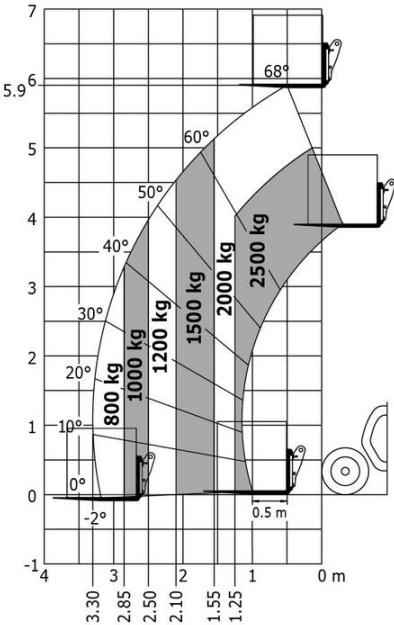
| | Overall height | Overall width |
|--|----------------|---------------|
| MICHELIN - BIBSTEEL ALL TERRAIN - 300/70 R16.5 141A5 | 1.97 m | 1.81 m |
| CAMSO - SKS532 - 12-16.5 145A2 | 1.92 m | 1.81 m |
| CAMSO - SKS732 - 12-16.5 145A2 | 1.92 m | 1.81 m |

MLT 625 e - Dimensional drawing

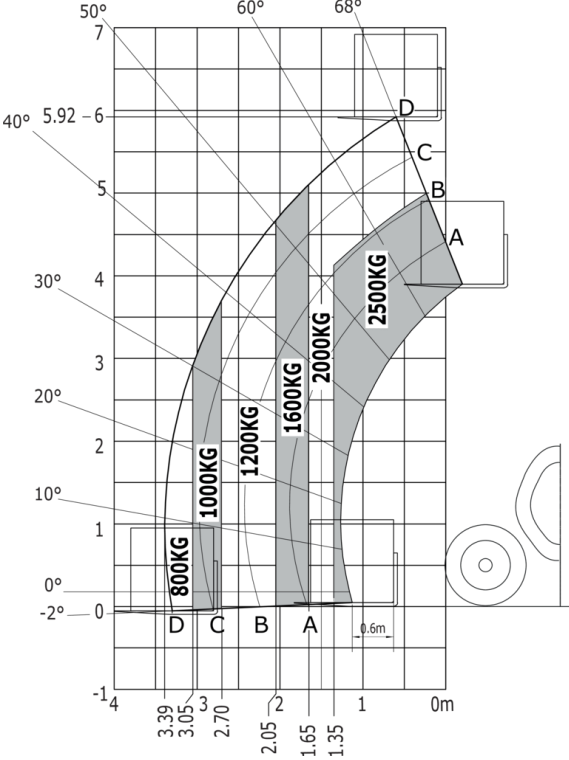


MLT 625 e - Load chart

Machine on tires with forks Metric



Machine on tires with forks LC 600 mm Metric





Head Office

B.P. 249 - 430 rue de l'Aubinière
44150 Ancenis Cedex - France

Tel: +33 (0)2 40 09 10 11 - Fax: +33 (0)2 40 09 10 97

www.manitou.com



This publication provides a description of the configuration versions and options for Manitou products, which may differ for equipment. The equipment presented in this brochure may be part of a series, as an option, or it may not be available, depending on the versions. Manitou reserves the right, at any time and without notice, to amend the specifications described and represented. The specifications provided do not bind the manufacturer. For more details, please contact your Manitou agent. This is not a contractually binding document. The presentation of the products is not contractually binding. List of specifications non-exhaustive. The logos as well as the visual identity of the company are owned by Manitou and cannot be used without authorisation. All rights reserved. The photos and diagrams contained in this brochure are only provided for consultation and information purposes.

MANITOU BF SA - Limited company with board of directors - Share capital: 39,668,399 euros - 857 802 508 RCS Nantes