

Technical sheet :

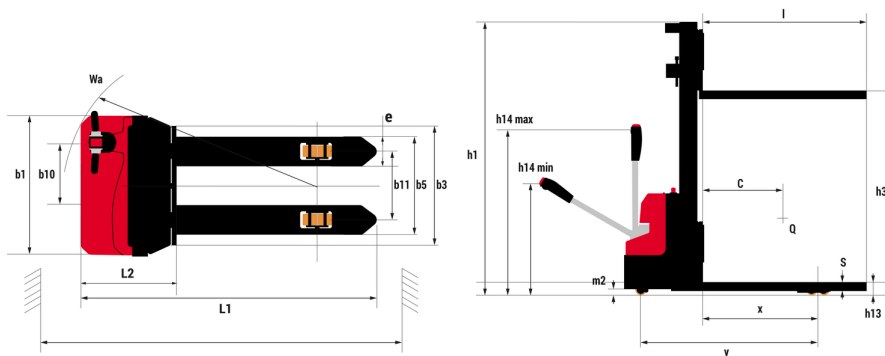
ES 112 EASY



 **MANITOU**
HANDLING YOUR WORLD

| Technical characteristics | | Metric | |
|---------------------------|---|-----------|--------------------------|
| 1.1 | Manufacturer | | MANITOU |
| 1.2 | Model Name | | ES 112 Easy |
| 1.3 | Power source | | Electrical - Lithium |
| 1.4 | Operator type | | Pedestrian |
| 1.5 | Max. capacity | Q | 1200 kg |
| 1.6 | Load center of gravity | c | 600 mm |
| 1.8 | Distance from Load backrest to center of rear axle | x | 798 mm |
| 1.9 | Wheelbase | y | 1198 mm |
| Weight | | | |
| 2.1 | Service weight | | 610 kg |
| 2.2 | Weight on front axle (laden) / rear axle (laden) | | 645 kg / 1165 kg |
| 2.3 | Weight on front axle (Unladen) / rear axle (Unladen) | | 448 kg / 162 kg |
| Wheels | | | |
| 3.1 | Tires type | | Polyurethane cushion |
| 3.3 | Number of load wheels / Size of load wheels | | 4 / 80x64 |
| 3.4 | Number of stabilizer wheels / Size of the stabilizer wheels | | 1 / 80 x 64 |
| 3.5 | Number of front wheels / rear wheels | | 2 / 4 |
| 3.5.2 | Number of drive wheels / Size of drive wheels | | 1/210x70 |
| 3.6 | Front wheel gauge | b10 | 566 mm |
| 3.7 | Rear wheel gauge | b11 | 396 mm |
| Dimensions | | | |
| 4.15 | Fork height in low position | h13 | 85 mm |
| 4.19 | Overall length | l1 | 1700 mm |
| 4.20 | Length to face of forks | l2 | 560 mm |
| 4.21 | Overall width | b1 | 800 mm |
| 4.22 | Forks section / width / length | s / e / l | 60 mm / 170 mm / 1150 mm |
| 4.24 | Fork carriage width | b3 | 680 mm |
| 4.25 | Forks spread | b5 | 560 mm |
| 4.31 | Ground clearance below mast | m1 | 26 mm |
| 4.32 | Ground clearance at centre of wheelbase | m2 | 26 mm |
| 4.33 | Aisle Width for pallets 1000 x 1200 crossways | Ast | 2226 mm |
| 4.34 | Aisle width for 800 x 1200 pallet lengthways | Ast | 2169 mm |
| 4.35 | Turning radius | Wa | 1402 mm |
| Performances | | | |
| 5.1 | Travel speed (laden / unladen) | | 4.50 km/h / 5 km/h |
| 5.2 | Lifting speed (laden / unladen) | | 0.11 m/s / 0.15 m/s |
| 5.3 | Lowering speed (laden / unladen) | | 0.12 m/s / 0.12 m/s |
| 5.8 | Max Gradeability (laden / unladen) | | 6 % / 10 % |
| 5.10 | Service brake | | Electro magnetic |
| Engine | | | |
| 6.1 | Drive motor rating S2 60 min | | 0.65 kW |
| 6.2 | Lift motor rating at S3 15% | | 2.20 kW |
| 6.4 | Battery voltage / capacity | | 24 V / 60 Ah |
| | Battery technology | | Lithium-ion |
| 6.5 | Battery weight (+/- 5%) | | 18 kg |
| Miscellaneous | | | |
| 8.1 | Type of drive control | | DC |
| 8.4 | Sound level at the driver's ear according to DIN 12 053 | | 65 dB |

ES 112 Easy - Dimensional drawing



Characteristics of masts and residual capacities

| Central Cylinder Duplex (CCD) | | CCD 27 | CCD 36 |
|---------------------------------|----|--------|--------|
| h1 - Mast lowered height | mm | 1924 | 2458 |
| h3 - Mast lifting height | mm | 2700 | 3600 |
| h4 - Mast extended height | mm | 3274 | 4258 |
| Residual capacity at max height | kg | 1000 | 600 |
| Height at max capacity | mm | 2500 | 2500 |

| Central Cylinder Simplex (CCS) | | CCS 11 | CCS 15 |
|---------------------------------|----|--------|--------|
| h1 - Mast lowered height | mm | 1716 | 1992 |
| h2 - Mast free lift | mm | 1100 | 1475 |
| h3 - Mast lifting height | mm | 1100 | 1500 |
| h4 - Mast extended height | mm | 1716 | 2015 |
| Residual capacity at max height | kg | 1200 | 1200 |
| Height at max capacity | mm | 1100 | 1500 |



Head Office

B.P. 249 - 430 rue de l'Aubinière
44150 Ancenis Cedex - France

Tel: +33 (0)2 40 09 10 11 - Fax: +33 (0)2 40 09 10 97

www.manitou.com



This publication provides a description of the configuration versions and options for Manitou products, which may differ for equipment. The equipment presented in this brochure may be part of a series, as an option, or it may not be available, depending on the versions. Manitou reserves the right, at any time and without notice, to amend the specifications described and represented. The specifications provided do not bind the manufacturer. For more details, please contact your Manitou agent. This is not a contractually binding document. The presentation of the products is not contractually binding. List of specifications non-exhaustive. The logos as well as the visual identity of the company are owned by Manitou and cannot be used without authorisation. All rights reserved. The photos and diagrams contained in this brochure are only provided for consultation and information purposes.

MANITOU BF SA - Limited company with board of directors - Share capital: 39,668,399 euros - 857 802 508 RCS Nantes