

Technical sheet :

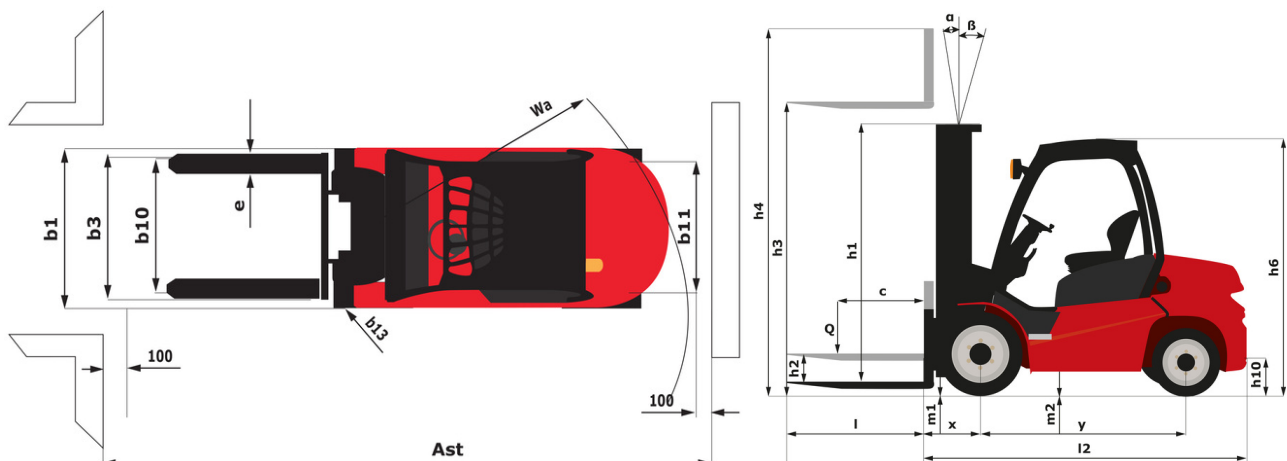
MI 20 D ST5 FOB



 **MANITOU**
HANDLING YOUR WORLD

| Technical characteristics | | | Metric |
|---------------------------|---|-----------|---------------------------------|
| 1.1 | Manufacturer | | MANITOU |
| 1.2 | Model Name | | MI 20 D ST5 FOB |
| 1.3 | Power source | | Diesel |
| 1.4 | Operator type | | Seated |
| 1.5 | Max. capacity | Q | 2000 kg |
| 1.6 | Load center of gravity | c | 500 mm |
| 1.8 | Load distance, centre of drive axle to fork | x | 465 mm |
| 1.9 | Wheelbase | y | 1600 mm |
| Weight | | | |
| 2.1 | Service weight | | 3725 kg |
| 2.2 | Weight on front axle (laden) / rear axle (laden) | | 5005 kg / 720 kg |
| 2.3 | Weight on front axle (Unladen) / rear axle (Unladen) | | 1765 kg / 1960 kg |
| Wheels | | | |
| 3.1 | Tires type | | Solid tires |
| 3.2 | Dimensions of front wheels | | 7.00-12 12 |
| 3.3 | Dimensions of rear wheels | | 6.00-9 10 |
| 3.5 | Number of front wheels / rear wheels | | 2 / 2 |
| 3.5.2 | Number of drive wheels | | 2 |
| 3.6 | Front wheel gauge | b10 | 965 mm |
| 3.7 | Rear wheel gauge | b11 | 973 mm |
| Dimensions | | | |
| 4.8 | Seat height/stand height | h7 | 1190 mm |
| 4.7 | Height of overhead guard (cabin) | h6 | 2115 mm |
| 4.12 | Height of towing bar (coupling height) | h10 | 355 mm |
| 4.19 | Overall length | l1 | 3615 mm |
| 4.20 | Length to face of forks | l2 | 2465 mm |
| 4.21 | Overall width | b1 | 1155 mm |
| 4.21 | Overall width - Single wheels | b1 | 1155 mm |
| 4.21 | Overall width - Twinned wheels | b1 | 1595 mm |
| 4.22 | Forks section / width / length | s / e / l | 40 mm x 122 mm x 1150 mm |
| 4.23 | Fork carriage ISO 2328 (class/form) A/B | | 2A |
| 4.24 | Fork carriage width | b3 | 1038 mm |
| 4.31 | Ground clearance below mast | m1 | 115 mm |
| 4.32 | Ground clearance at centre of wheelbase | m2 | 175 mm |
| 4.33 | Aisle Width for pallets 1000 x 1200 crossways | Ast | 3865 mm |
| 4.34 | Aisle width for 800 x 1200 pallet lengthways | Ast | 4065 mm |
| 4.35 | Turning radius | Wa | 2200 mm |
| 4.36 | Internal turning radius (over tyres) | b13 | 145 mm |
| Performances | | | |
| 5.1 | Travel speed (laden / unladen) | | 18 km/h-18.50 km/h |
| 5.2 | Lifting speed (laden / unladen) | | 0.60 m/s-0.65 m/s |
| 5.3 | Lowering speed (laden / unladen) | | 0.48 m/s-0.55 m/s |
| 5.5 | Drawbar pull (Laden / Unladen) | | 1800 daN / 1230 daN |
| 5.7 | Gradeability (laden / unladen) | | 20 % / 20 % |
| 5.10 | Service brake | | Hydraulic |
| Engine | | | |
| 7.1 | Engine brand / model / nom | | Kubota / V2607-CR-E5B / Stage V |
| 7.2 | Engine power (Hp / kW) | | 51 Hp/37.40 kW |
| 7.3 | Rated speed | | 2400 rpm |
| 7.4 | Number of cylinders / Capacity of cylinders | | 4 - 2615 cm³ |
| Miscellaneous | | | |
| 8.2 | Working hydraulic pressure for attachments | | 160 bar |
| 8.3 | Oil flow rate for attachments | | 35 l/min |
| 8.4 | Measured/guaranteed mean noise level at the ear of the operator | | < 84 dB |

MI 20 D ST5 FOB - Dimensional drawing





Head Office

B.P. 249 - 430 rue de l'Aubinière
44150 Ancenis Cedex - France

Tel: +33 (0)2 40 09 10 11 - Fax: +33 (0)2 40 09 10 97

www.manitou.com



This publication provides a description of the configuration versions and options for Manitou products, which may differ for equipment. The equipment presented in this brochure may be part of a series, as an option, or it may not be available, depending on the versions. Manitou reserves the right, at any time and without notice, to amend the specifications described and represented. The specifications provided do not bind the manufacturer. For more details, please contact your Manitou agent. This is not a contractually binding document. The presentation of the products is not contractually binding. List of specifications non-exhaustive. The logos as well as the visual identity of the company are owned by Manitou and cannot be used without authorisation. All rights reserved. The photos and diagrams contained in this brochure are only provided for consultation and information purposes.

MANITOU BF SA - Limited company with board of directors - Share capital: 39,668,399 euros - 857 802 508 RCS Nantes