

Technical sheet :

# **MI 30 D ST5 FOB**

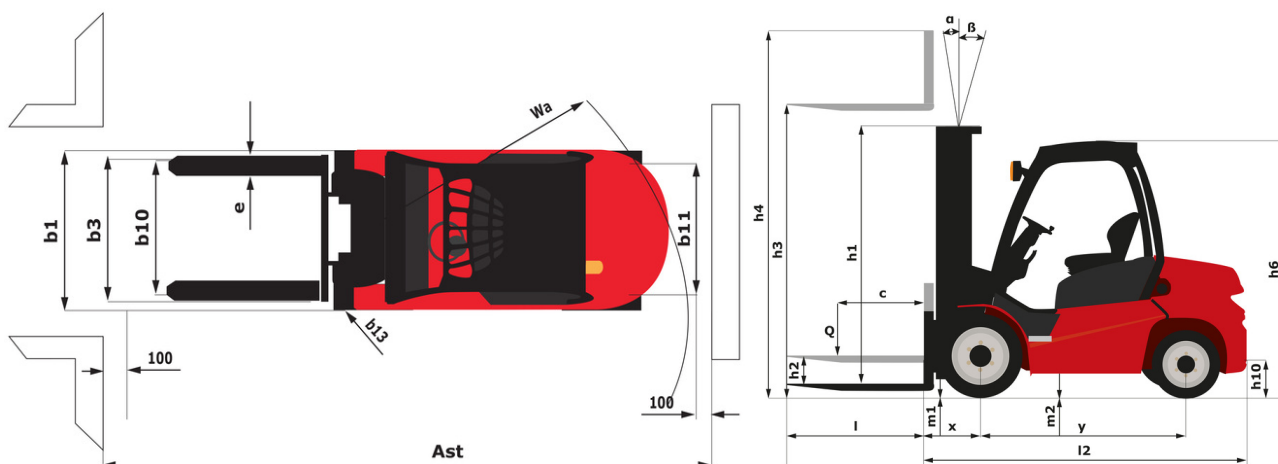
---



 **MANITOU**  
HANDLING YOUR WORLD

Technical characteristics			Metric
1.1	Manufacturer		MANITOU
1.2	Model Name		MI 30 D ST5 FOB
1.3	Power source		Diesel
1.4	Operator type		Seated
1.5	Max. capacity	Q	3000 kg
1.6	Load center of gravity	c	500 mm
1.8	Load distance, centre of drive axle to fork	x	480 mm
1.9	Wheelbase	y	1700 mm
	Standard mast reference of the machine		FVD 33
Weight			
2.1	Service weight		4610 kg
2.2	Weight on front axle (laden) / rear axle (laden)		6650 kg / 960 kg
2.3	Weight on front axle (Unladen) / rear axle (Unladen)		1860 kg / 2750 kg
Wheels			
3.1	Tires type		Solid tires
3.2	Dimensions of front wheels		28-9-15 12
3.3	Dimensions of rear wheels		6.50-10 10
3.5	Number of front wheels / rear wheels		2 / 2
3.5.2	Number of drive wheels		2
3.6	Front wheel gauge	b10	1005 mm
3.7	Rear wheel gauge	b11	975 mm
Dimensions			
4.8	Seat height/stand height	h7	1215 mm
4.7	Height of overhead guard (cabin)	h6	2130 mm
4.12	Height of towing bar (coupling height)	h10	355 mm
4.19	Overall length	l1	3865 mm
4.20	Length to face of forks	l2	2715 mm
4.21	Overall width	b1	1225 mm
4.21	Overall width - Single wheels	b1	1225 mm
4.21	Overall width - Twinned wheels	b1	1725 mm
4.22	Forks section / width / length	s / e / l	45 mm x 122 mm x 1150 mm
4.23	Fork carriage ISO 2328 (class/form) A/B		3A
4.24	Fork carriage width	b3	1100 mm
4.31	Ground clearance below mast	m1	130 mm
4.32	Ground clearance at centre of wheelbase	m2	200 mm
4.33	Aisle Width for pallets 1000 x 1200 crossways	Ast	4140 mm
4.34	Aisle width for 800 x 1200 pallet lengthways	Ast	4340 mm
4.35	Turning radius	Wa	2460 mm
4.36	Internal turning radius (over tyres)	b13	160 mm
Performances			
5.1	Travel speed (laden / unladen)		18 km/h-18.50 km/h
5.2	Lifting speed (laden / unladen)		0.49 m/s-0.52 m/s
5.3	Lowering speed (laden / unladen)		0.43 m/s-0.48 m/s
5.5	Drawbar pull (Laden / Unladen)		1950 daN / 1380 daN
5.7	Gradeability (laden / unladen)		20 % / 20 %
5.10	Service brake		Hydraulic
Engine			
7.1	Engine brand / model / norm		Kubota / V2607-CR-E5B / Stage V
7.2	Engine power (Hp / kW)		51 Hp/37.40 kW
7.3	Rated speed		2400 Hz
7.4	Number of cylinders / Capacity of cylinders		4 - 2615 cm³
Miscellaneous			
8.2	Working hydraulic pressure for attachments		160 bar
8.3	Oil flow rate for attachments		35 l/min
8.4	Measured/guaranteed mean noise level at the ear of the operator		< 84 dB

### MI 30 D ST5 FOB - Dimensional drawing



## Characteristics of masts and residual capacities

Full Visibility Duplex (FVD)		FVD 33	FVD 37	FVD 40
α - Mast/fork carriage tilt, forward	°	6	6	6
β - Mast/fork carriage tilt, backward	°	12	12	12
h1 - Mast lowered height	mm	2200	2450	2650
h2 - Mast free lift	mm	145	145	145
h3 - Mast lifting height	mm	3300	3700	4000
h4 - Mast extended height	mm	4035	4435	4735
Residual capacity at max height	kg	3000	3000	3000
Residual capacity with integrated side shift at max height	kg	3000	3000	3000
Height at max capacity	mm	3300	3700	4000
Height at max capacity with integrated sideshift	mm	3300	3700	4000

Free Lift Duplex (FLD)		FLD 33	FLD 37	FLD 40
α - Mast/fork carriage tilt, forward	°	6	6	6
β - Mast/fork carriage tilt, backward	°	12	12	12
h1 - Mast lowered height	mm	2230	2430	2580
h2 - Mast free lift	mm	1475	1675	1825
h3 - Mast lifting height	mm	3300	3700	4000
h4 - Mast extended height	mm	4055	4455	4755
Residual capacity at max height	kg	3000	3000	3000
Residual capacity with integrated side shift at max height	kg	3000	3000	3000
Height at max capacity	mm	3300	3700	4000
Height at max capacity with integrated sideshift	mm	3300	3700	4000

Free Lift Triplex (FLT)		FLT 43	FLT 45	FLT 47	FLT 48	FLT 50	FLT 55	FLT 60	FLT 65
α - Mast/fork carriage tilt, forward	°	6	6	6	6	6	3	3	3
β - Mast/fork carriage tilt, backward	°	6	6	6	6	6	6	6	6
h1 - Mast lowered height	mm	2115	2165	2215	2265	2315	2515	2765	2915
h2 - Mast free lift	mm	1360	1410	1460	1510	1560	1760	2010	2160
h3 - Mast lifting height	mm	4300	4500	4700	4800	5000	5500	6000	6500
h4 - Mast extended height	mm	5055	5305	5455	5555	5755	6255	6805	7255
Residual capacity at max height	kg	2950	2900	2800	2800	2500	1850	1400	1300
Residual capacity with integrated side shift at max height	kg	2850	2800	2700	2700	2400	1750	1300	1250
Height at max capacity	mm	4000	4000	4000	4000	4000	4000	4000	4000
Height at max capacity with integrated sideshift	mm	4000	4000	4000	4000	3700	3700	3700	3700



**Head Office**

B.P. 249 - 430 rue de l'Aubinière  
44150 Ancenis Cedex - France

Tel: +33 (0)2 40 09 10 11 - Fax: +33 (0)2 40 09 10 97

[www.manitou.com](http://www.manitou.com)



This publication provides a description of the configuration versions and options for Manitou products, which may differ for equipment. The equipment presented in this brochure may be part of a series, as an option, or it may not be available, depending on the versions. Manitou reserves the right, at any time and without notice, to amend the specifications described and represented. The specifications provided do not bind the manufacturer. For more details, please contact your Manitou agent. This is not a contractually binding document. The presentation of the products is not contractually binding. List of specifications non-exhaustive. The logos as well as the visual identity of the company are owned by Manitou and cannot be used without authorisation. All rights reserved. The photos and diagrams contained in this brochure are only provided for consultation and information purposes.

MANITOU BF SA - Limited company with board of directors - Share capital: 39,668,399 euros - 857 802 508 RCS Nantes