

Technical sheet :

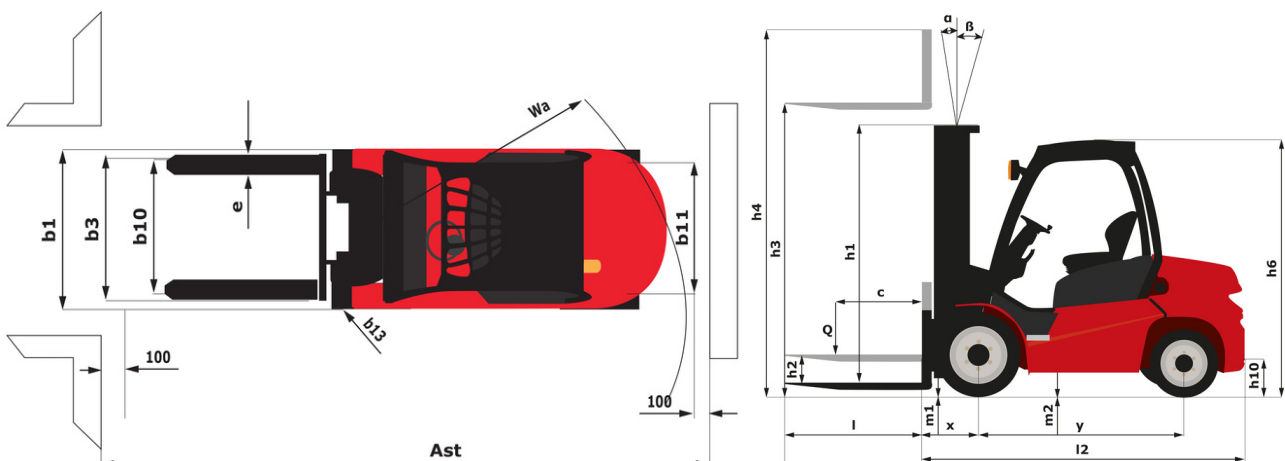
MI-X 40 D FOB



 **MANITOU**
HANDLING YOUR WORLD

Technical characteristics		Metric	
1.1	Manufacturer		Manitou
1.2	Model Name		MI-X 40 D FOB
1.3	Power source		Diesel
1.4	Operator type		Seated
1.5	Max. capacity	Q	4000 kg
1.6	Load center of gravity	c	500 mm
1.8	Load distance, centre of drive axle to fork	x	550 mm
1.9	Wheelbase	y	2000 mm
Weight			
2.1	Service weight		6300 kg
2.2	Weight on front axle (laden) / rear axle (laden)		9000 kg / 1300 kg
2.3	Weight on front axle (Unladen) / rear axle (Unladen)		2800 kg / 3500 kg
Wheels			
3.1	Tires type		Pneumatic
3.2	Dimensions of front wheels		5.25-15-14PR
3.3	Dimensions of rear wheels		7.00-12-12PR
3.5	Number of front wheels / rear wheels		2 / 2
3.5.2	Number of drive wheels		2
3.6	Front wheel gauge	b10	1160 mm
3.7	Rear wheel gauge	b11	1130 mm
Dimensions			
4.8	Seat height/stand height	h7	1370 mm
4.7	Height of overhead guard (cabin)	h6	2390 mm
4.12	Height of towing bar (coupling height)	h10	445 mm
4.19	Overall length	l1	4290 mm
4.20	Length to face of forks	l2	3070 mm
4.21	Overall width	b1	1395 mm
4.21	Overall width - Single wheels	b1	1395 mm
4.21	Overall width - Twinned wheels	b1	1940 mm
4.22	Forks section / width / length	s / e / l	50 mm x 122 mm x 1220 mm
4.23	Fork carriage ISO 2328 (class/form) A/B		3A
4.24	Fork carriage width	b3	1250 mm
4.31	Ground clearance below mast	m1	170 mm
4.32	Ground clearance at centre of wheelbase	m2	230 mm
4.33	Aisle Width for pallets 1000 x 1200 crossways	Ast	4642 mm
4.34	Aisle width for 800 x 1200 pallet lengthways	Ast	4775 mm
4.35	Turning radius	Wa	2780 mm
4.36	Internal turning radius (over tyres)	b13	135 mm
Performances			
5.1	Travel speed (laden / unladen)		22 km/h-24 km/h
5.2	Lifting speed (laden / unladen)		0.46 m/s-0.48 m/s
5.3	Lowering speed (laden / unladen)		0.50 m/s-0.50 m/s
5.5	Drawbar pull (Laden / Unladen)		3800 daN / 2200 daN
5.7	Gradeability (laden / unladen)		35 % / 37 %
5.10	Service brake		Hydraulic
	Transmission type		Torque converter
Engine			
7.1	Engine brand / model / norm		Perkins / 1104 D 44 / Stage IIIA
7.2	Engine power (Hp / kW)		76 Hp/56 kW
7.3	Rated speed		2200 rpm
7.4	Number of cylinders / Capacity of cylinders		4 - 4400 cm ³
Miscellaneous			
8.2	Working hydraulic pressure for attachments		160 bar
8.3	Oil flow rate for attachments		90 l/min
8.4	Measured/guaranteed mean noise level at the ear of the operator		< 87 dB
8.4	Sound level at the driver's ear according to DIN 12 053		87 dB

MI-X 40 D FOB - Dimensional drawing



Characteristics of masts and residual capacities

Full Visibility Duplex (FVD)		FVD 30	FVD 33	FVD 35	FVD 37	FVD 40	FVD 45	FVD 50
α - Mast/fork carriage tilt, forward	°	6	6	6	6	6	6	6
β - Mast/fork carriage tilt, backward	°	12	12	12	12	12	6	6
h1 - Mast lowered height	mm	2245	2395	2495	2595	2795	3070	3345
h2 - Mast free lift	mm	160	160	160	160	160	160	160
h3 - Mast lifting height	mm	3000	3300	3500	3700	4000	4500	5000
h4 - Mast extended height	mm	4170	4470	4670	4870	5170	5670	6170
Residual capacity at max height	kg	4000	4000	4000	4000	4000	3700	3200
Residual capacity with integrated side shift at max height	kg	4000	4000	4000	4000	4000	3600	3100
Height at max capacity	mm	3000	3300	3500	3700	4000	4000	4000
Height at max capacity with integrated sideshift	mm	3000	3300	3500	3700	4000	4000	4000

Free Lift Duplex (FLD)		FLD 30	FLD 33	FLD 35	FLD 37
α - Mast/fork carriage tilt, forward	°	6	6	6	6
β - Mast/fork carriage tilt, backward	°	12	12	12	12
h1 - Mast lowered height	mm	2226	2376	2476	2576
h2 - Mast free lift	mm	1364	1514	1614	1714
h3 - Mast lifting height	mm	3000	3300	3500	3700
h4 - Mast extended height	mm	4170	4470	4670	4870
Residual capacity at max height	kg	4000	4000	4000	4000
Residual capacity with integrated side shift at max height	kg	4000	4000	4000	4000
Height at max capacity	mm	3000	3300	3500	3700
Height at max capacity with integrated sideshift	mm	3000	3300	3500	3700

Free Lift Triplex (FLT)		FLT 40	FLT 43	FLT 45	FLT 47	FLT 50	FLT 55	FLT 60
α - Mast/fork carriage tilt, forward	°	6	6	6	6	6	3	3
β - Mast/fork carriage tilt, backward	°	12	6	6	6	6	6	6
h1 - Mast lowered height	mm	2080	2180	2248	2310	2410	2575	2790
h2 - Mast free lift	mm	1229	1329	1395	1459	1559	1724	1939
h3 - Mast lifting height	mm	4000	4300	4500	4700	5000	5500	6000
h4 - Mast extended height	mm	5170	5470	5685	5870	6170	6670	7180
Residual capacity at max height	kg	4000	3900	3500	3300	3100	2800	2300
Residual capacity with integrated side shift at max height	kg	3900	3800	3400	3200	3000	2700	2200
Height at max capacity	mm	4000	2500	4000	4000	4000	2500	2500



Head Office

B.P. 249 - 430 rue de l'Aubinière
44150 Ancenis Cedex - France
Tel: +33 (0)2 40 09 10 11 - Fax: +33 (0)2 40 09 10 97
www.manitou.com



This publication provides a description of the configuration versions and options for Manitou products, which may differ for equipment. The equipment presented in this brochure may be part of a series, as an option, or it may not be available, depending on the versions. Manitou reserves the right, at any time and without notice, to amend the specifications described and represented. The specifications provided do not bind the manufacturer. For more details, please contact your Manitou agent. This is not a contractually binding document. The presentation of the products is not contractually binding. List of specifications non-exhaustive. The logos as well as the visual identity of the company are owned by Manitou and cannot be used without authorisation. All rights reserved. The photos and diagrams contained in this brochure are only provided for consultation and information purposes.
MANITOU BF SA - Limited company with board of directors - Share capital: 39,668,399 euros - 857 802 508 RCS Nantes