

Technical sheet :

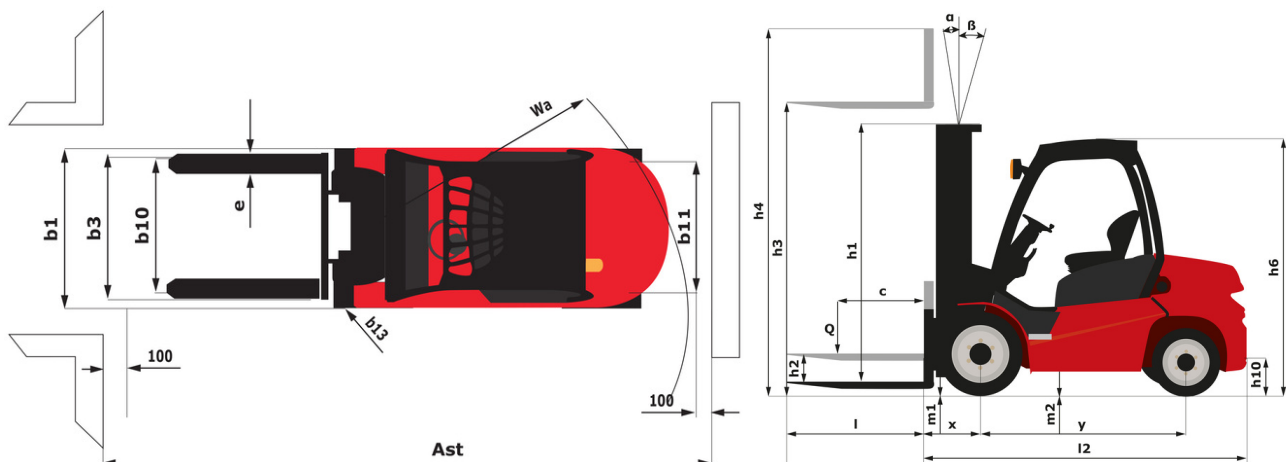
MI-X 55 D



 **MANITOU**
HANDLING YOUR WORLD

Technical characteristics		Metric	
1.1	Manufacturer		MANITOU
1.2	Model Name		MI-X 55 D
1.3	Power source		Diesel
1.4	Operator type		Seated
1.5	Max. capacity	Q	5500 kg
1.6	Load center of gravity	c	500 mm
1.8	Load distance, centre of drive axle to fork	x	585 mm
1.9	Wheelbase	y	2150 mm
Weight			
2.1	Service weight		7250 kg
2.2	Weight on front axle (laden) / rear axle (laden)		11000 kg / 1750 kg
2.3	Weight on front axle (Unladen) / rear axle (Unladen)		3300 kg / 3950 kg
Wheels			
3.1	Tires type		Pneumatic
3.2	Dimensions of front wheels		300-15 18PR
3.3	Dimensions of rear wheels		7.00-12 12PR
3.5	Number of front wheels / rear wheels		2 / 2
3.5.2	Number of drive wheels		2
3.6	Front wheel gauge	b10	1190 mm
3.7	Rear wheel gauge	b11	1130 mm
Dimensions			
4.8	Seat height/stand height	h7	1370 mm
4.7	Height of overhead guard (cabin)	h6	2390 mm
4.12	Height of towing bar (coupling height)	h10	445 mm
4.19	Overall length	l1	4530 mm
4.20	Length to face of forks	l2	3330 mm
4.21	Overall width	b1	1490 mm
4.21	Overall width - Single wheels	b1	1490 mm
4.21	Overall width - Twinned wheels	b1	1940 mm
4.22	Forks section / width / length	s / e / l	60 mm x 150 mm x 1220 mm
4.23	Fork carriage ISO 2328 (class/form) A/B		4A
4.24	Fork carriage width	b3	1250 mm
4.31	Ground clearance below mast	m1	170 mm
4.32	Ground clearance at centre of wheelbase	m2	230 mm
4.33	Aisle Width for pallets 1000 x 1200 crossways	Ast	4755 mm
4.34	Aisle width for 800 x 1200 pallet lengthways	Ast	4555 mm
4.35	Turning radius	Wa	2970 mm
4.36	Internal turning radius (over tyres)	b13	130 mm
Performances			
5.1	Travel speed (laden / unladen)		13 km/h-22 km/h
5.2	Lifting speed (laden / unladen)		0.46 m/s-0.50 m/s
5.3	Lowering speed (laden / unladen)		0.50 m/s-0.50 m/s
5.7	Gradeability (laden / unladen)		20 % / 20 %
5.10	Service brake		Hydraulic
Engine			
7.1	Engine brand / model / norm		Perkins / 1104D-44 / Stage IIIA
7.2	Engine power (Hp / kW)		76 Hp/56 kW
7.3	Rated speed		2200 rpm

MI-X 55 D - Dimensional drawing





Head Office

B.P. 249 - 430 rue de l'Aubinière
44150 Ancenis Cedex - France

Tel: +33 (0)2 40 09 10 11 - Fax: +33 (0)2 40 09 10 97

www.manitou.com



This publication provides a description of the configuration versions and options for Manitou products, which may differ for equipment. The equipment presented in this brochure may be part of a series, as an option, or it may not be available, depending on the versions. Manitou reserves the right, at any time and without notice, to amend the specifications described and represented. The specifications provided do not bind the manufacturer. For more details, please contact your Manitou agent. This is not a contractually binding document. The presentation of the products is not contractually binding. List of specifications non-exhaustive. The logos as well as the visual identity of the company are owned by Manitou and cannot be used without authorisation. All rights reserved. The photos and diagrams contained in this brochure are only provided for consultation and information purposes.

MANITOU BF SA - Limited company with board of directors - Share capital: 39,668,399 euros - 857 802 508 RCS Nantes