

Technical sheet :

# SE 3246

OXYGEN



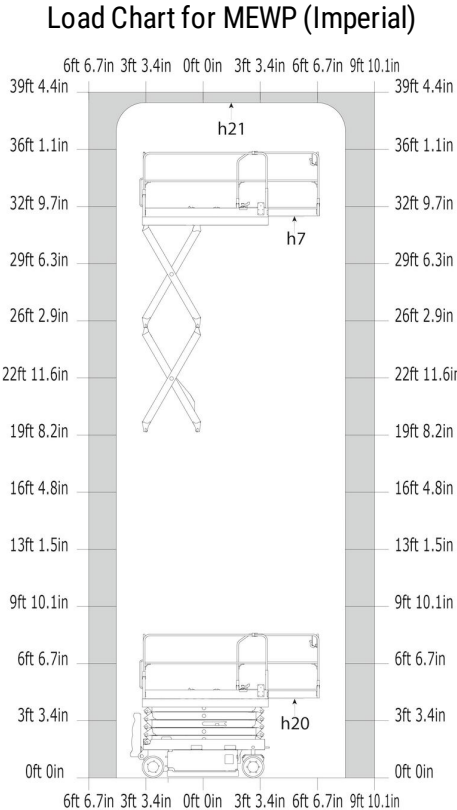
 **MANITOU**  
HANDLING YOUR WORLD

Capacities		Imperial
Working height	h21	38 ft 9 in
Working height maximum (indoor)	h21	38 ft 9 in
Working height maximum (outdoor)	h21'	38 ft 9 in
Platform height maximum (indoor)	h7	32 ft 2 in
Platform height maximum (outdoor)	h7'	32 ft 2 in
Platform capacity	Q	772 lb
Max. capacity on the extension deck		254 lb
Number of people (indoor / outdoor)		3 / 1
Weight and dimensions		
Platform weight*		6349 lb
Platform dimensions (length x width)	lp / ep	7 ft 3 in x 3 ft 9 in
Platform dimensions with extension (length x width)		10 ft 2 in x 3 ft 9 in
Floor height (access)	h20	4 ft 6 in
Overall length	l1	8 ft
Overall width	b1	3 ft 10 in
Overall height	h17	8 ft 4 in
Overall height (stowed)	h18 ***	6 ft 5 in
Deck opening length	dp	2 ft 11 in
Overall length with platform extension	l15	10 ft 11 in
Outside turning radius - platform	Wa2	7 ft 8 in
Internal turning radius		0 in
Ground clearance with pothole guards deployed	m6	1 in
Ground clearance with pothole guards folded	m2	3 in
Wheelbase	y	5 ft 9 in
Performances		
Drive speed - stowed		3 mph
Drive speed - raised		0.50 mph
Gradeability		25 %
Indoor and outdoor max Tilt Rating (Fore and Aft / Side-to-Side)		3.50 ° / 1.50 °
Wheels		
Tires type		Non marking cushion
Standard tires		15 x 5 in / 381 x 125 mm
Drive wheels (front / rear)		2 / 0
Steering wheels (front / rear)		2 / 0
Braking wheels (front / rear)		2 / 0
Service brake		Electric
Engine/Battery		
Battery technology		Lead acid
Drive motor power rating		2 x 0.77 kW
Battery voltage		48 V
Number of batteries / Battery capacity		4 / 120 Ah
Battery energy		5.76 kWh
On-board charger (V / A)		24 V / 30 A
Miscellaneous		
Hydraulic Pressure		3626 PSI
Hydraulic tank capacity		6 US gal
Sound pressure level (platform work station) (LpA)		66.60 dB
Vibration on hands/arms		< 0.98 ft/s <sup>2</sup>
Standards compliance		
This machine is in compliance with:		ANSI A92.20-2018 CSA B354.6 ICES-002-Issue 6 Standard Canadian EMC

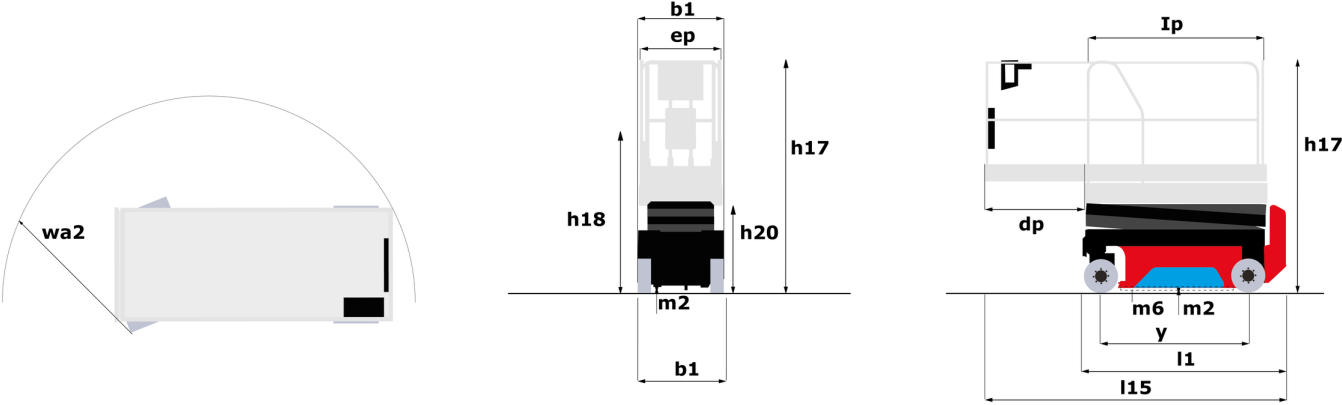
\*Varies according to options and standards of the country to which the machine is delivered

\*\*\* With folded guardrail

SE 3246 - Load chart



SE 3246 - Dimensional drawing



# Equipment

---

## Standard

2 swing out component trays (hydraulic/electric)  
Additional foot-operated horn  
Audible alarm and illuminated indicator lamp (leveling, overload, lowering)  
Audio warning on all motion  
Audio warning on descent  
Battery - 48V - 120Ah - semi-traction  
Battery charge indicator lamp  
CAN bus technology  
Colour screen with integrated diagnostics  
Easy Link with 2 year Service  
Electric plug - 110V - In the basket - With differential circuit breaker - USA (B) type  
Electrical front wheel brake  
Emergency stop button in platform and on frame  
Fold away guard rails with full height swing gate  
Hour meter  
Manual emergency lowering  
Multi-voltage on-board charger - 24V - 30A - IES - Gel - Single-phase  
Pothole protection with automatic operation  
Side and rear forklift pockets  
Sliding basket extension - 90 cm

## Optional

Audio warning on translation  
Biodegradable hydraulic oil - Grade 32  
Compressed air pipe pre-fitting  
Easy Link - With access control keypad  
Easy Link - With remote lock  
Fixed anti-shearing protection  
LED work light - On basket

**Head Office**

B.P. 249 - 430 rue de l'Aubinière  
44150 Ancenis Cedex - France

Tel: +33 (0)2 40 09 10 11 - Fax: +33 (0)2 40 09 10 97

[www.manitou.com](http://www.manitou.com)



This publication provides a description of the configuration versions and options for Manitou products, which may differ for equipment. The equipment presented in this brochure may be part of a series, as an option, or it may not be available, depending on the versions. Manitou reserves the right, at any time and without notice, to amend the specifications described and represented. The specifications provided do not bind the manufacturer. For more details, please contact your Manitou agent. This is not a contractually binding document. The presentation of the products is not contractually binding. List of specifications non-exhaustive. The logos as well as the visual identity of the company are owned by Manitou and cannot be used without authorisation. All rights reserved. The photos and diagrams contained in this brochure are only provided for consultation and information purposes.

MANITOU BF SA - Limited company with board of directors - Share capital: 39,668,399 euros - 857 802 508 RCS Nantes