

Fiche technique :

# MRT 2260 E

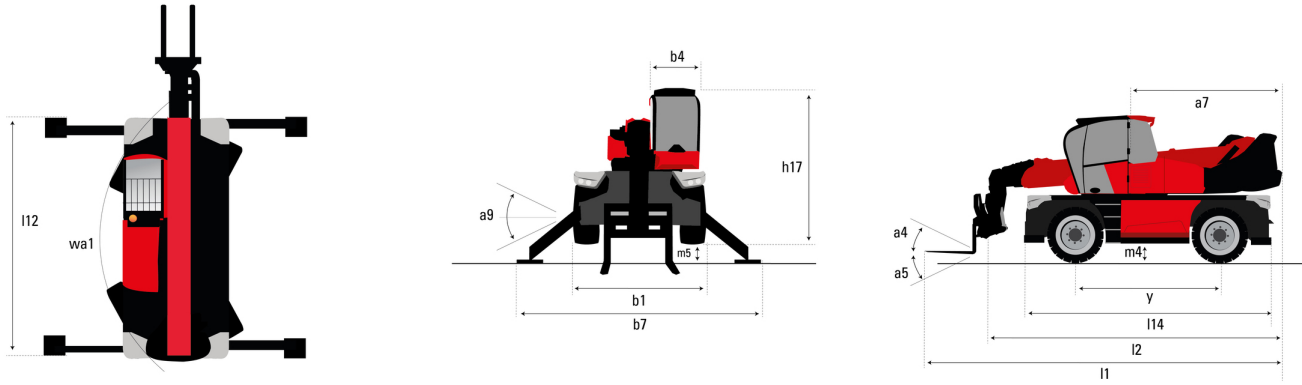
OXYGEN



 **MANITOU**  
HANDLING YOUR WORLD

| Capacities                                |           | Métrique   |
|---|-----------|--|
| Max. capacity                             |           | 6000 kg  |
| Max. lifting height                       |           | 21.80 m  |
| Max. outreach                             |           | 18.20 m  |
| Weight and dimensions                     |           |  |
| Overall length (with forks)               | l1        | 8.17 m   |
| Length to face of forks                   | l2        | 6.97 m   |
| Overall width                             | b1        | 2.50 m   |
| Overall height                            | h17       | 3.10 m   |
| Overall cab width                         | b4        | 0.96 m   |
| Ground clearance                          | m4        | 0.38 m   |
| Wheelbase                                 | y         | 3.05 m   |
| Tilt-up angle                             | a4        | 12 °   |
| Tilt-down angle                           | a5        | 110 °  |
| Turret rotation                           |           | 360 °  |
| Overall weight                            |           | 18000 kg   |
| Forks length / width / section            | l / e / s | 100 mm x 1200 mm x 60 mm                               |
| Wheels                                    |           |  |
| Standard tires                            |           | 445/65 R22,5   |
| Drive wheels (front / rear)               |           | 2 / 2  |
| Steering mode                             |           | 2 wheel steer, 4 wheel steer, Crab mode                |
| Stabilisers                               |           |  |
| Stabilizers Type                          |           | Telescopic Duplex                                      |
| Controls with stabs                       |           | Stabs Commands Individual or Simultaneous              |
| Electric circuit                          |           |  |
| Number of batteries / Battery voltage     |           | 2 x 12 V   |
| 12V Battery capacity                      |           | 120 Ah   |
| Battery starting current                  |           | (EN)850 A  |
| Engine/Battery                            |           |  |
| Battery technology                        |           | Lithium-ion  |
| Battery capacity                          |           | 105 Ah   |
| Battery nominal voltage                   |           | 624 V  |
| Battery max. voltage                      |           | 680 V  |
| Battery energy                            |           | 65 kWh   |
| Electric engine power rating              |           | 107 kW   |
| Hydraulic motor power                     |           | 84 kW  |
| Charger Power / Phase / Current type      |           | 11 kW / Single-phase or three-phase / AC               |
| Transmission                              |           |  |
| Transmission type                         |           | Electrical   |
| Number of gears (forward / reverse)       |           | 2 / 2  |
| Max. travel speed                         |           | 37 km/h  |
| Drawbar pull                              |           | 8600 daN   |
| Drawbar pull continuous                   |           | 4300 daN   |
| Parking brake                             |           | Automatic negative parking brake                       |
| Service brake                             |           | Oil-immersed multi-discs braking on front & rear axles |
| Performances                              |           |  |
| Max Gradeability (laden / unladen)        |           | 36 % / 48 %  |
| Gradeability continuous (laden / unladen) |           | 18 % / 23 %  |
| Hydraulics                                |           |  |
| Hydraulic pump type                       |           | Fixed displacement piston                              |
| Hydraulic flow                            |           | 175 l/min  |
| Hydraulic Pressure                        |           | 350 bar  |
| Hydraulic tank capacity                   |           | 200 l  |
| Noise and vibration                       |           |  |
| Noise at driving position (LpA)           |           | 65 dB  |
| Noise to environment (LwA)                |           | 103 dB   |
| Vibration on hands/arms                   |           | < 2.50 m/s <sup>2</sup>                                |
| Miscellaneous                             |           |  |
| Steering wheels (front / rear)            |           | 2 / 2  |
| Controls                                  |           | 2 Joysticks  |
| Safety cab homologation                   |           | Cabin ROPS - FOPS level 2                              |
| Attachment recognition system (E-Reco)    |           | Standard   |

# MRT 2260 e - Schémas d'encombrement



| Autres données                                    |  |     | Métrique |
|---|--|-----|----------|
| Length of frame                                   |  | l14 | 5.69 m   |
| Wheelbase   |  | y   | 3.05 m   |
| Ground clearance                                  |  | m4  | 0.38 m   |
| Counterweight offset (turret at 90°)              |  | a7  | 2.97 m   |
| Tilt-up angle                                     |  | a4  | 12 °     |
| Tilt-down angle                                   |  | a5  | 110 °    |
| Overall length at stabilisers                     |  | l12 | 5.30 m   |
| External turning radius (over tyres)              |  | Wa1 | 4.46 m   |
| Overall width with stabilisers extended           |  | b7  | 5.79 m   |
| Overall height                                    |  | h17 | 3.10 m   |
| Frame leveling corrector                          |  | a9  | +/- 7 °  |
| Ground clearance under front tires on stabilizers |  | m5  | 0.43 m   |

## MRT 2260 e - Abaques

Machine on tires with forks Metric



Machine on lowered stabilisers with forks (CAF) Metric



Machine on lowered stabilisers with winch 6000 kg (Metric) Machine on lowered stabilisers with 1500 kg jib with winch (Metric)



Machine on lowered stabilisers with extensible jib with winch (Metric)



Machine on lowered stabilisers with hook 6000 kg (Metric)



Machine on lowered stabilisers with 365 kg platform Metric Machine on lowered stabilisers with 1000 kg platform Metric



Machine on lowered stabilisers with 3D positive Metric

Machine on lowered stabilisers with 3D positive / negative Metric



## Équipements

**Optionnel**

Additional battery high voltage 65 kWh

Extra generator 18.4 kW

## Équipement : E-xtra generator 18.4 kW

| Engine                                      |  | Métrique                  |
|---|--|---------------------------|
| Engine brand / norm                         |  | Yanmar / Stage V / Tier 4 |
| Engine model                                |  | 3TNV80F-ZXKMU             |
| Number of cylinders - Capacity of cylinders |  | 3 - 1267 cm <sup>3</sup>  |
| Max. torque / Engine rotation (min)         |  | 74.50 Nm @ 1900 rpm       |
| Power                                       |  | 18.40 kW                  |
| Engine rotation                             |  | 2800 rpm                  |
| Engine cooling system                       |  | Water cooled              |
| I.C. Engine power rating                    |  | 25 Hp                     |
| Tank capacities                             |  |                           |
| Fuel tank                                   |  | 65 l                      |
| Engine oil                                  |  | 3.40 l                    |



**Siège Social**

B.P. 249 - 430 rue de l'Aubinière

44150 Ancenis Cedex - France

Tel: +33 (0)2 40 09 10 11 - Fax: +33 (0)2 40 09 10 97

[www.manitou.com](http://www.manitou.com)



Cette publication présente le descriptif des versions et possibilités de configuration des produits Manitou qui peuvent différer en équipement. Les équipements présentés dans cette brochure peuvent être de série, en option, ou non disponibles suivant les versions. Manitou se réserve le droit, à tout moment et sans préavis, de modifier les spécifications décrites et représentées. Les spécifications portées n'engagent pas le constructeur. Pour plus de détails, contactez votre concessionnaire Manitou. Document non contractuel. Présentation des produits non contractuelle. Liste des spécifications non exhaustive. Les logos ainsi que l'identité visuelle de l'entreprise sont la propriété de Manitou et ne peuvent être utilisés sans autorisation. Tous droits réservés. Les photos et schémas contenus dans la présente brochure ne sont fournis qu'à des fins de consultation et à titre indicatif.

Manitou BF SA - Société anonyme à conseil d'administration - Capital social : 39 668 399 euros - 857 802 508 RCS Nantes