

Ficha técnica :

# 180 ATJ E

OXYGEN



 **MANITOU**  
HANDLING YOUR WORLD

| Capacities   |         | Métrico  |
|--|---------|--|
| Working height   | h21     | 18.19 m  |
| Platform height  | h7      | 16.19 m  |
| Max. outreach  |         | 10.33 m  |
| Overhang   |         | 7.43 m   |
| Pendular arm rotation (left / right)                                 |         | 90 ° / 90 °  |
| Pendular arm rotation (top / bottom)                                 |         | +65 ° / -59.50 °   |
| Platform capacity  | Q       | 250 kg   |
| Turret rotation  |         | 350 °  |
| Platform rotation (right / left)                                     |         | 90 ° / 90 °  |
| Number of people (indoor / outdoor)                                  |         | 2 / 2  |
| Weight and dimensions  |         |  |
| Platform weight*   |         | 7550 kg  |
| Platform dimensions (length x width)                                 | lp / ep | 1.80 m x 0.76 m  |
| Floor height (access)  | h20     | 0.45 m   |
| Overall length   | l1      | 7.61 m   |
| Overall width  | b1      | 2.32 m   |
| Overall height   | h17     | 2.48 m   |
| Overall length (stowed)  | l9      | 5.43 m   |
| Overall height (stowed)  | h18 *** | 2.83 m   |
| Counterweight offset (turret at 90°)                                 | a7      | 0.40 m   |
| Counterweight Oversize / Reach                                       |         | 0.40 m   |
| External turning radius  | Wa3     | 3.75 m   |
| Ground clearance at centre of wheelbase                              | m2      | 0.40 m   |
| Wheelbase  | y       | 2.30 m   |
| Performances   |         |  |
| Drive speed - stowed   |         | 5.30 km/h  |
| Drive speed - raised   |         | 0.70 km/h  |
| Gradeability   |         | 45 %   |
| Permissible leveling   |         | 5 °  |
| Wheels   |         |  |
| Tires type   |         | Foam Filled Non Marking  |
| Standard tires   |         | 914 x 381 mm / 36X15D610   |
| Drive wheels (front / rear)  |         | 2 / 2  |
| Steering wheels (front / rear)                                       |         | 2 / 2  |
| Braking wheels (front / rear)  |         | 0 / 2  |
| Engine/Battery   |         |  |
| Battery voltage  |         | 48 V   |
| Battery nominal voltage / capacity                                   |         | 48 V / 480 Ah  |
| Battery energy   |         | 23 kWh   |
| On-board charger (V / A)   |         | 48 V / 60 A  |
| Miscellaneous  |         |  |
| Number of cycles with STD Battery (HIRD)                             |         | 48   |
| Ground Pressure  |         | 10.50 dan/cm <sup>2</sup>  |
| Hydraulic Pressure   |         | 240 bar  |
| Hydraulic tank capacity  |         | 24 l   |
| Sound pressure level (platform work station) (platform work station) |         | 70 dB  |
| Vibration on hands/arms  |         | < 2.50 m/s <sup>2</sup>  |
| Standards compliance   |         |  |
| This machine is in compliance with:                                  |         | European directives: 2006/42/EC- Machinery (revised EN280:2013) - 2004/108/EC (EMC) - 2006/95/EC (Low voltage) |

\*Varies according to options and standards of the country to which the machine is delivered

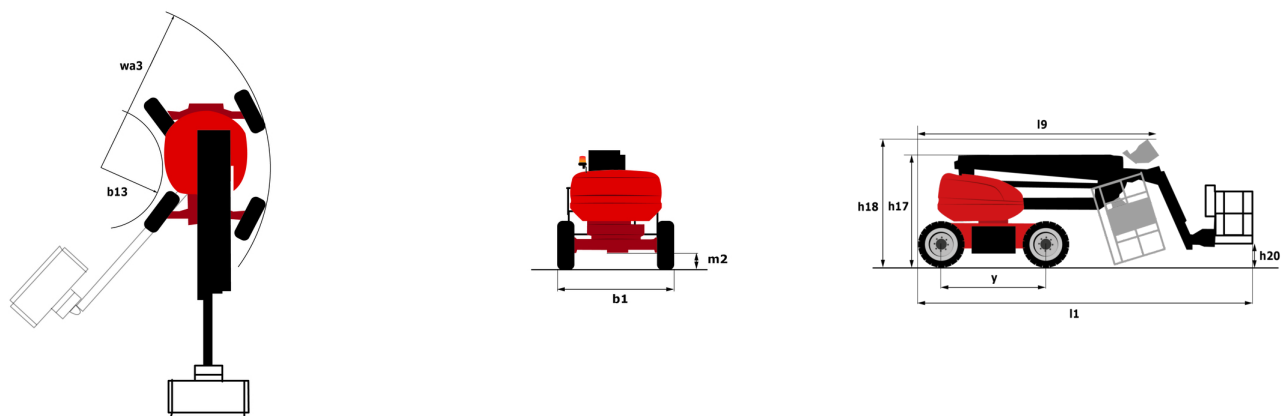
\*\* According to "REDUCE cycle"

### 180 ATJ e - Diagramas de carga

Load Chart for MEWP Metric



### 180 ATJ e - Diagrama dimensional



# Equipamiento

## Estándar

220V predisposition in the platform  
 4 simultaneous movements  
 4 wheel drive  
 4 wheel steer with crab mode  
 Audible alarm and illuminated indicator lamp (leveling, overload, lowering)  
 Backup electrical pump  
 Basket 1,800 mm  
 CAN bus technology  
 Differential locking on rear axle  
 Easy Link with 2 year Service  
 Easy Manager  
 Emergency stop button in platform and on frame  
 Fully galvanized basket with demountable floor  
 Horn in the platform  
 Hour meter  
 LED rotating beacon  
 Large color screen on turret  
 Leveling unlocking  
 Load sensing pump  
 Operator presence pedal  
 Oscillating front axle  
 Rear axle with limited slip differential  
 Reserve mode  
 Screen information in the basket  
 Simplified lifting system without spreader bar  
 Slings and securing rings  
 Steer and rotate  
 Turret orientation information

## Opcional

Audio warning on all motion - White noise  
 Biodegradable hydraulic oil - Grade 32  
 Biodegradable oil  
 Bottom screen protection  
 Continuous turret rotation  
 Digicode anti-theft device  
 Easy Link - With access control keypad  
 Easy link with remote lock  
 Electric centralized filling  
 External pneumatic supply source  
 Foam-filled tires 914 x 381 mm / 36X15D610  
 Fully galvanized basket 1800mm / 5'11" with lateral door  
 Galvanized basket 2,100 mm  
 Galvanized basket 2.100 mm / 6'11" with lateral door  
 Key lock on turret cover  
 Lighting pack  
 Locking the telescope by parameter setting  
 OSS - Operation Safety System  
 Personalized paintwork  
 Safety kit - Harness + helmet  
 Socket 230 V + differential circuit breaker  
 Water heater  
 Water predisposition



**Oficina Central**

B.P. 249 - 430 rue de l'Aubinière

44150 Ancenis Cedex - Francia

Tel.: 00 33 (0)2 40 09 10 11 - Fax: 00 33 (0)2 40 09 10 97

[www.manitou.com](http://www.manitou.com)



Esta publicación describe las versiones y posibilidades de configuración de los productos Manitou que puedan diferir en equipamiento. Los equipamientos presentados en este folleto pueden ser de serie, opcionales o no estar disponibles en algunas versiones. Manitou se reserva el derecho, en cualquier momento y sin previo aviso, de modificar las especificaciones descritas y representadas. Las especificaciones aportadas no comprometen al fabricante. Para más información, póngase en contacto con su concesionario Manitou. Documento no contractual. Presentación de los productos no contractual. Lista de especificaciones no exhaustiva. Los logos y la identidad visual de la empresa son propiedad de Manitou y no pueden ser utilizados sin autorización. Todos los derechos reservados. Las fotos y los esquemas contenidos en este folleto se ofrecen para consulta y a título indicativo solamente.

Manitou BF SA - Sociedad anónima con Consejo de Administración - Capital social: 39 668 399 euros - 857 802 508 RCS Nantes