

Technical sheet :

150 AETJ-C 3D

OXYGEN
by MANITOU



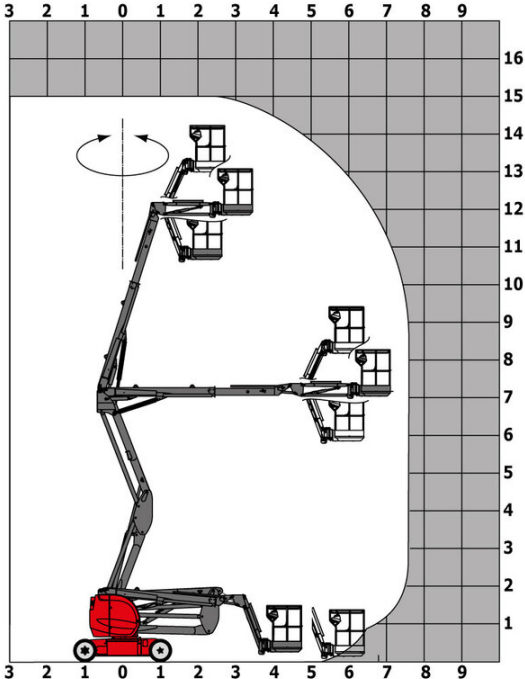
 **MANITOU**
HANDLING YOUR WORLD

| Capacities | | Metric |
|---------------------------------------------------|---------|-------------------------------------------------------------------------------------------------------------------------------------|
| Working height | h21 | 14.60 m |
| Platform height | h7 | 12.60 m |
| Max. outreach | | 7.13 m |
| Overhang | | 7 m |
| Pendular arm rotation (left / right) | | -70 ° / 70 ° |
| Pendular arm rotation (top / bottom) | | +65 ° / -65 ° |
| Platform capacity | Q | 220 kg |
| Turret rotation | | 355 ° |
| Platform rotation (right / left) | | 66 ° / 59 ° |
| Number of people (indoor / outdoor) | | 2 / 2 |
| Weight and dimensions | | |
| Platform weight* | | 7175 kg |
| Platform dimensions (length x width) | lp / ep | 1.20 m x 0.92 m |
| Floor height (access) | h20 | 0.40 m |
| Overall length | l1 | 6.05 m |
| Overall width | b1 | 1.50 m |
| Overall height | h17 | 1.97 m |
| Overall length (stowed) | l9 | 4.40 m |
| Overall height (stowed) | h18 *** | 2.08 m |
| Jib length | l13 | 1.26 m |
| Counterweight offset (turret at 90°) | a7 | 0.12 m |
| Internal turning radius / External turning radius | Wa3 | 1.87 m/3.96 m |
| Ground clearance at centre of wheelbase | m2 | 0.14 m |
| Wheelbase | y | 2 m |
| Performances | | |
| Drive speed - stowed | | 5 km/h |
| Drive speed - raised | | 0.60 km/h |
| Gradeability | | 22 % |
| Permissible leveling | | 3 ° |
| Wheels | | |
| Tires type | | Non marking cushion |
| Standard tires | | 600 x 190 mm |
| Drive wheels (front / rear) | | 0 / 2 |
| Steering wheels (front / rear) | | 2 / 0 |
| Braking wheels (front / rear) | | 0 / 2 |
| Engine/Battery | | |
| Drive motor power rating | | 2 x 3 kW |
| Lift motor power | | 3.70 kW |
| Battery voltage | | 48 V |
| Battery capacity | | 240 Ah |
| Battery energy | | 11 kWh |
| On-board charger (V / A) | | 48 V / 30 A |
| Miscellaneous | | |
| Number of cycles with STD Battery (HIRD) | | 46 |
| Ground Pressure | | 13.50 daN/cm ² |
| Hydraulic Pressure | | 200 bar |
| Hydraulic tank capacity | | 15 l |
| Vibration on hands/arms | | < 0.52 m/s ² |
| Standards compliance | | |
| This machine is in compliance with: | | European directives: 2006/42/EC- Machinery (revised EN280-1:2022) - 2004/108/EC (EMC) - EMC according to EN 12895 / 2015 +A1 / 2019 |

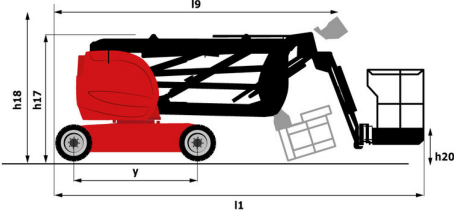
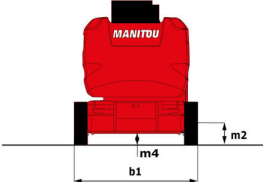
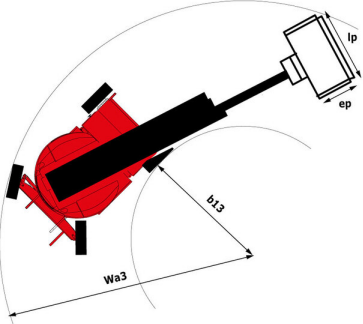
*Varies according to options and standards of the country to which the machine is delivered

150 AETJ-C 3D - Load chart

Load Chart metric



150 AETJ-C 3D - Dimensional drawing



Equipment

Standard

3D
Additional foot-operated horn
Audible alarm and illuminated indicator lamp (leveling, overload, lowering)
CAN bus technology
Easy Link with 2 year Service
Electrical pre-fitting - 230V
Emergency stop button in platform and on frame
Manual emergency lowering
Multi-function smartview display
Multi-voltage onboard charger - 48V - 35A - ZIVAN - Gel - Single-phase
Negative-type braking on rear wheels
Non-marking rubber tyres
Pendular arm
Platform with open-work floor
Proportional controls
Secondary Protection System (SPS)
Slings and securing rings
Toolbox
Traction battery
Travel possible at maximum height

Optional

Audio warning on all motion
Audio warning on all motion
Basket controls protection
Biodegradable hydraulic oil - Grade 32
Central filling system
Charger plug - 110V - 16A - United Kingdom (G) type
Cold weather protection oil
Compressed air pipe pre-fitting
Easy Link - With access control keypad
Easy Link - With remote lock
Higher capacity battery, to start the machine easily in cold countries.
LED work light - On basket
Maintenance-free battery
Non-marking Foam Inflated Tires 683 x 236 mm / 27 x 10-12 in
Personalized paintwork
Rail protection
Safety kit - Helmet and harness
Turret orientation detection
Water pre-fitting



Head Office

B.P. 249 - 430 rue de l'Aubinière
44150 Ancenis Cedex - France

Tel: +33 (0)2 40 09 10 11 - Fax: +33 (0)2 40 09 10 97

www.manitou.com



This publication provides a description of the configuration versions and options for Manitou products, which may differ for equipment. The equipment presented in this brochure may be part of a series, as an option, or it may not be available, depending on the versions. Manitou reserves the right, at any time and without notice, to amend the specifications described and represented. The specifications provided do not bind the manufacturer. For more details, please contact your Manitou agent. This is not a contractually binding document. The presentation of the products is not contractually binding. List of specifications non-exhaustive. The logos as well as the visual identity of the company are owned by Manitou and cannot be used without authorisation. All rights reserved. The photos and diagrams contained in this brochure are only provided for consultation and information purposes.

MANITOU BF SA - Limited company with board of directors - Share capital: 39,668,399 euros - 857 802 508 RCS Nantes