

Technical sheet :

170 AETJ-L

OXYGEN
by MANITOU



 **MANITOU**
HANDLING YOUR WORLD

Capacities		Metric
Working height	h21	16.51 m
Platform height	h7	14.51 m
Maximum outreach		9 m
Overhang		7 m
Pendular arm rotation (top / bottom)		+70 ° / -70 °
Platform capacity	Q	220 kg
Turret rotation		355 °
Platform rotation (right / left)		66 ° / 59 °
Number of people (indoor / outdoor)		2 / 2
Weight and dimensions		
Platform weight*		7225 kg
Platform dimensions (length x width)	lp / ep	1.20 m x 0.92 m
Floor height (access)	h20	0.40 m
Overall length	l1	6.84 m
Overall width	b1	1.75 m
Overall height	h17	1.97 m
Overall length (stowed)	l9	5.12 m
Overall height (stowed)	h18 ***	2.04 m
Jib length	l13	1.26 m
Counterweight offset (turret at 90°)	a7	0.08 m
Internal turning radius / External turning radius	Wa3	47.49 mm/4.30 m
Ground clearance at centre of wheelbase	m2	0.14 m
Wheelbase	y	2 m
Performances		
Drive speed - stowed		5 km/h
Drive speed - raised		0.60 km/h
Gradeability		22 %
Permissible leveling		3 °
Wheels		
Tires type		Non marking cushion
Standard tires		24 x 7.5 in / 600 x 190 mm
Drive wheels (front / rear)		0 / 2
Steering wheels (front / rear)		2 / 0
Braking wheels (front / rear)		0 / 2
Engine/Battery		
Drive motor power rating		2 x 3 kW
Lift motor power		3.70 kW
Battery voltage		48 V
Battery nominal voltage / capacity		48 V / 240 Ah
Battery energy		11 kWh
On-board charger (V / A)		48 V / 30 A
Miscellaneous		
Number of cycles with STD Battery (HIRD)		46
Ground Pressure		16.60 daN/cm ²
Hydraulic Pressure		200 bar
Hydraulic tank capacity		15 l
Vibration on hands/arms		< 0.66 m/s ²
Standards compliance		
This machine is in compliance with:		European directives: 2006/42/EC- Machinery (revised EN280-1:2022) - 2004/108/EC (EMC) - EMC according to EN 12895 / 2015 +A1 / 2019

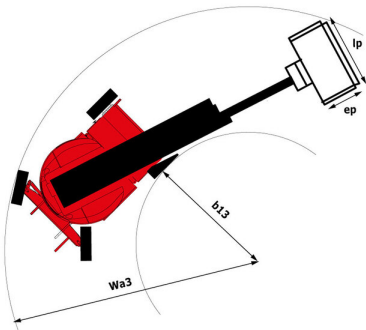
*Varies according to options and standards of the country to which the machine is delivered

170 AETJ-L - Load chart

Load Chart metric



170 AETJ-L - Dimensional drawing



Equipment

Standard

Additional foot-operated horn
Audible alarm and illuminated indicator lamp (leveling, overload, lowering)
CAN bus technology
Easy Link with 2 year Service
Electrical pre-fitting - 230V
Emergency stop button in platform and on frame
Manual emergency lowering
Multi-function smartview display
Multi-voltage onboard charger - 48V - 35A - ZIVAN - Gel - Single-phase
Negative-type braking on rear wheels
Non-marking rubber tyres
Pendular arm
Platform with open-work floor
Proportional controls
Secondary Protection System (SPS)
Slinging and securing rings
Toolbox
Traction battery
Travel possible at maximum height

Optional

Audio warning on all motion
Audio warning on all motion
Basket controls protection
Biodegradable hydraulic oil - Grade 32
Central filling system
Charger plug - 110V - 16A - United Kingdom (G) type
Cold weather protection oil
Compressed air pipe pre-fitting
Easy Link - With access control keypad
Easy Link - With remote lock
Higher capacity battery, to start the machine easily in cold countries.
LED work light - On basket
Maintenance-free battery
Non-marking Foam Inflated Tires 683 x 236 mm / 27 x 10-12 in
Personalized paintwork
Rail protection
Safety kit - Helmet and harness
Turret orientation detection
Water pre-fitting

**Head Office**

B.P. 249 - 430 rue de l'Aubinière
44150 Ancenis Cedex - France

Tel: +33 (0)2 40 09 10 11 - Fax: +33 (0)2 40 09 10 97

www.manitou.com



This publication provides a description of the configuration versions and options for Manitou products, which may differ for equipment. The equipment presented in this brochure may be part of a series, as an option, or it may not be available, depending on the versions. Manitou reserves the right, at any time and without notice, to amend the specifications described and represented. The specifications provided do not bind the manufacturer. For more details, please contact your Manitou agent. This is not a contractually binding document. The presentation of the products is not contractually binding. List of specifications non-exhaustive. The logos as well as the visual identity of the company are owned by Manitou and cannot be used without authorisation. All rights reserved. The photos and diagrams contained in this brochure are only provided for consultation and information purposes.

MANITOU BF SA - Limited company with board of directors - Share capital: 39,668,399 euros - 857 802 508 RCS Nantes