

Technical sheet :

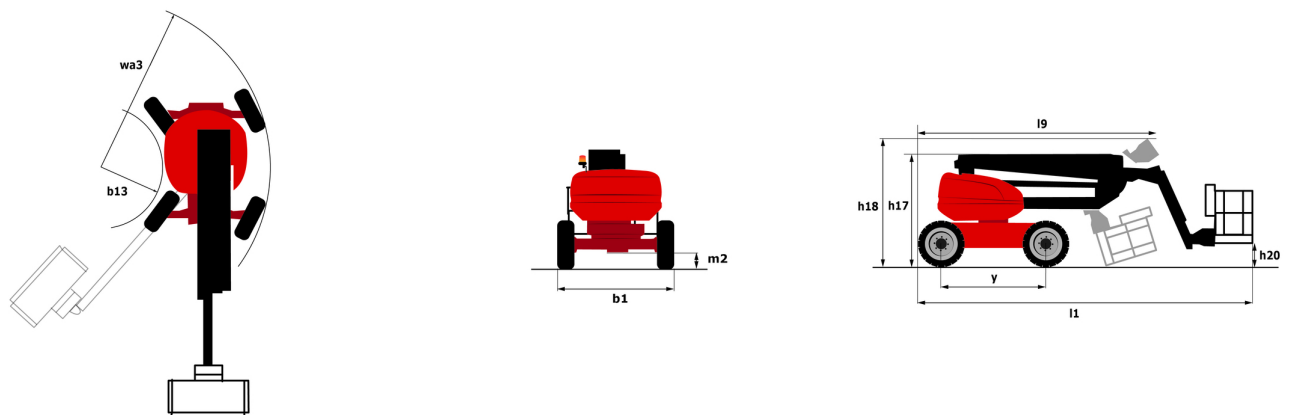
# 180 ATJ



Capacities		Metric
Working height	h21	18.18 m
Platform height	h7	16.18 m
Maximum outreach		10.51 m
Overhang		7.42 m
Pendular arm rotation (top / bottom)		+65 ° / -59.50 °
Platform capacity	Q	230 kg
Turret rotation		350 °
Platform rotation (right / left)		90 ° / 90 °
Number of people (indoor / outdoor)		2 / 2
Weight and dimensions		
Platform weight*		7430 kg
Platform dimensions (length x width)	lp / ep	1.80 m x 0.80 m
Floor height (access)	h20	0.43 m
Overall length	l1	7.79 m
Overall width	b1	2.32 m
Overall height	h17	2.47 m
Overall length (stowed)	l9	5.56 m
Overall height (stowed)	h18 ***	2.56 m
Counterweight offset (turret at 90°)	a7	0.22 m
External turning radius	Wa3	3.63 m
Ground clearance at centre of wheelbase	m2	0.40 m
Wheelbase	y	2.20 m
Performances		
Drive speed - stowed		5 km/h
Drive speed - raised		1 km/h
Gradeability		45 %
Permissible leveling		5 °
Wheels		
Tires type		Foam-filled
Drive wheels (front / rear)		2 / 2
Steering wheels (front / rear)		2 / 2
Braking wheels (front / rear)		0 / 2
Engine/Battery		
Engine brand / model		Kubota - D1105-E4B
Engine norm		Stage IIIA, Stage V
Engine power (Hp / kW)		24.80 Hp / 18.50 kW
Miscellaneous		
Ground Pressure		10 daN/cm2
Hydraulic Pressure		340 bar
Hydraulic tank capacity		54 l
Fuel		52 l
Vibration on hands/arms		< 0.50 m/s <sup>2</sup>
Daily consumption **		4.27 l
Standards compliance		
This machine is in compliance with:		European directives: 2006/42/EC- Machinery (revised EN280-1:2022) - 2004/108/EC (EMC) - EMC according to EN 12895 / 2015 +A1 / 2019

\*Varies according to options and standards of the country to which the machine is delivered

## 180 ATJ - Dimensional drawing



# Equipment

## Standard

220V predisposition in the platform  
4 simultaneous movements  
4 wheel drive  
4 wheel steer with crab mode  
Audible alarm and illuminated indicator lamp (leveling, overload, lowering)  
Backup electrical pump  
Basket 1,800 mm  
CAN bus technology  
Differential locking on rear axle  
Driver presence pedal  
Easy Link with 2 year Service  
Emergency stop button in platform and on frame  
Fuel gauge with low level indicator  
Fully galvanized basket with removable floor - Width: 2100 mm (6 ft. 11 in.)  
Hour meter  
Integrated diagnostic assistance  
Key lock on turret cover  
Leveling unlocking  
Load sensing pump  
Oscillating front axle  
Secondary Protection System (SPS)  
Simultaneous steering and turret rotation functions  
Stop & Go system

## Optional

Antitheft digicode  
Battery charger  
Battery cut-off  
Biodegradable hydraulic oil - Grade 32  
Cold weather protection oil  
Diesel tank locking cap  
Electric plug - 230V - In the basket - With differential circuit breaker - Europe (E/F) type  
Engine pre-heater  
Galvanized basket - Width: 1800 mm (5 ft. 11 in.) + Side swing gate  
Galvanized basket - Width: 2100 mm (6 ft. 11 in.)  
Galvanized basket - Width: 2100 mm (6 ft. 11 in.) + Side swing gate  
Higher capacity battery, to start the machine easily in cold countries.  
Non-marking tires  
On-board generator (3,5 or 5 kW)  
Personalized paintwork  
Safety kit - Helmet and harness  
Spark arrester muffler  
Water pre-fitting



**Head Office**

B.P. 249 - 430 rue de l'Aubinière  
44150 Ancenis Cedex - France

Tel: +33 (0)2 40 09 10 11 - Fax: +33 (0)2 40 09 10 97

[www.manitou.com](http://www.manitou.com)



This publication provides a description of the configuration versions and options for Manitou products, which may differ for equipment. The equipment presented in this brochure may be part of a series, as an option, or it may not be available, depending on the versions. Manitou reserves the right, at any time and without notice, to amend the specifications described and represented. The specifications provided do not bind the manufacturer. For more details, please contact your Manitou agent. This is not a contractually binding document. The presentation of the products is not contractually binding. List of specifications non-exhaustive. The logos as well as the visual identity of the company are owned by Manitou and cannot be used without authorisation. All rights reserved. The photos and diagrams contained in this brochure are only provided for consultation and information purposes.

MANITOU BF SA - Limited company with board of directors - Share capital: 39,668,399 euros - 857 802 508 RCS Nantes