

Technical sheet :

200 ATJ RC ST5



 **MANITOU**
HANDLING YOUR WORLD

| Capacities | | Metric |
|---|---------|--|
| Working height | h21 | 20.37 m |
| Platform height | h7 | 18.37 m |
| Max. outreach | | 11.99 m |
| Overhang | | 7.97 m |
| Pendular arm rotation (top / bottom) | | +69 ° / -66 ° |
| Platform capacity | Q | 230 kg |
| Turret rotation | | 360 ° |
| Platform rotation (right / left) | | 90 ° / 90 ° |
| Number of people (indoor / outdoor) | | 2 / 2 |
| Weight and dimensions | | |
| Platform weight* | | 10050 kg |
| Platform dimensions (length x width) | lp / ep | 2.10 m x 0.80 m |
| Floor height (access) | h20 | 500 mm |
| Overall length | l1 | 8.42 m |
| Overall width | b1 | 2.47 m |
| Overall height | h17 | 2.71 m |
| Overall length (stowed) | l9 | 6.08 m |
| Overall height (stowed) | h18 *** | 3.12 m |
| Counterweight offset (turret at 90°) | a7 | 0.12 m |
| External turning radius | Wa3 | 3.90 m |
| Ground clearance at centre of wheelbase | m2 | 0.44 m |
| Wheelbase | y | 2.40 m |
| Performances | | |
| Drive speed - stowed | | 4.70 km/h |
| Drive speed - raised | | 0.80 km/h |
| Gradeability | | 40 % |
| Permissible leveling | | 5 ° |
| Wheels | | |
| Tires type | | Super Elastic Solid Cushion |
| Standard tires | | 1025 x 365 mm |
| Drive wheels (front / rear) | | 2 / 2 |
| Steering wheels (front / rear) | | 2 / 2 |
| Braking wheels (front / rear) | | 0 / 2 |
| Engine/Battery | | |
| Engine brand / model | | Yanmar - 3TNV88C |
| Engine nom | | Stage IIIA |
| I.C. Engine power rating / Power | | 34 Hp / 25.50 kW |
| Miscellaneous | | |
| Ground Pressure | | 20.65 dan/cm2 |
| Hydraulic Pressure | | 335 bar |
| Hydraulic tank capacity | | 80 l |
| Fuel tank | | 78 l |
| Standards compliance | | |
| This machine is in compliance with: | | European directives: 2006/42/EC- Machinery (revised EN280-1:2022) - 2004/108/EC (EMC) - 2006/95/EC (Low voltage) |

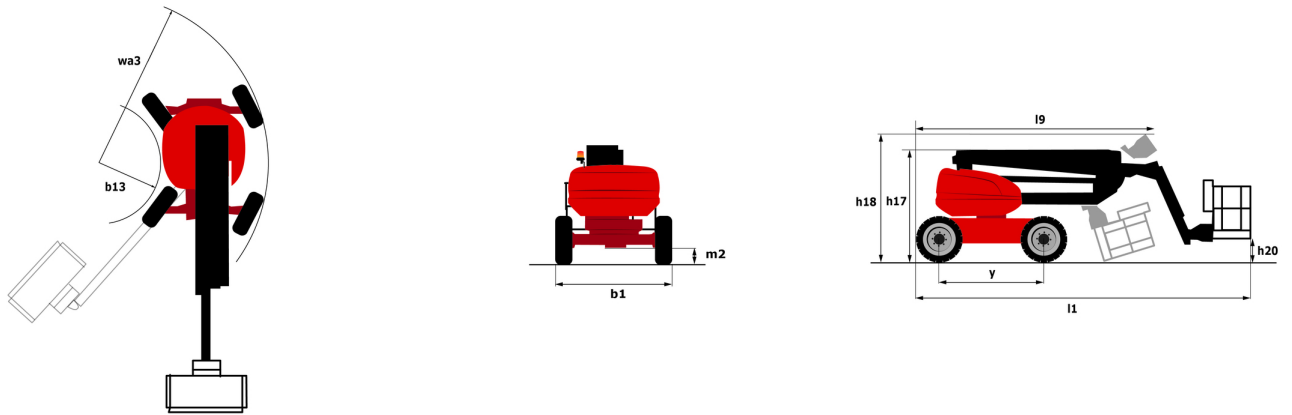
*Varies according to options and standards of the country to which the machine is delivered

200 ATJ RC ST5 - Load chart

Load Chart metric



200 ATJ RC ST5 - Dimensional drawing



Equipment

Standard

230V Predisposition
4 simultaneous movements
4 wheel drive
4 wheel steer with crab mode
Audible alarm and illuminated indicator lamp (leveling, overload, lowering)
Backup electrical pump
CAN bus technology
Continuous turret rotation
Dead man pedal
Differential locking on rear axle
Easy Link with 2 year Service
Emergency stop button in platform and on frame
Engine with DPF (Diesel Particulate Filter)
Front axle with limited slip
Fuel gauge with low level indicator
Galvanized basket 2,100 mm
Hour meter
Integrated diagnostic assistance
LED rotating beacon
Large color screen on turret
Management via engine speed bearing
Oscillating front axle
Proportional controls
Secondary Protection System (SPS)
Stop & Go system

Optional

110 or 230V plug with differential circuit breaker
Battery charger
Battery cut-off
Biodegradable hydraulic oil - Grade 32
Coded anti-start
Cold weather protection oil
Fuel tank locking cap
Galvanized basket 2,100 mm
High capacity starting battery
Key lock on turret cover
Oil tank locking cap
On-board generator (3,5 or 5 kW)
Safety kit - Harness + helmet
Screen protection on the lower box control
Socket 230 V + differential circuit breaker
Water heater



Head Office

B.P. 249 - 430 rue de l'Aubinière

44150 Ancenis Cedex - France

Tel: +33 (0)2 40 09 10 11 - Fax: +33 (0)2 40 09 10 97

www.manitou.com



This publication provides a description of the configuration versions and options for Manitou products, which may differ for equipment. The equipment presented in this brochure may be part of a series, as an option, or it may not be available, depending on the versions. Manitou reserves the right, at any time and without notice, to amend the specifications described and represented. The specifications provided do not bind the manufacturer. For more details, please contact your Manitou agent. This is not a contractually binding document. The presentation of the products is not contractually binding. List of specifications non-exhaustive. The logos as well as the visual identity of the company are owned by Manitou and cannot be used without authorisation. All rights reserved. The photos and diagrams contained in this brochure are only provided for consultation and information purposes.

MANITOU BF SA - Limited company with board of directors - Share capital: 39,668,399 euros - 857 802 508 RCS Nantes