

Technical sheet :

# 200 ATJ ST5



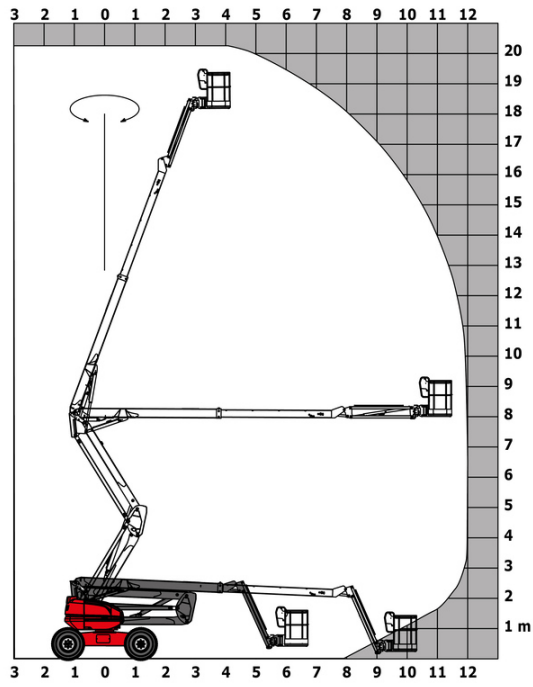
 **MANITOU**  
HANDLING YOUR WORLD

Capacities		Metric
Working height	h21	20.37 m
Platform height	h7	18.37 m
Maximum outreach		11.99 m
Overhang		7.97 m
Pendular arm rotation (top / bottom)		+69 ° / -66 °
Platform capacity	Q	230 kg
Turret rotation		355 °
Platform rotation (right / left)		90 ° / 90 °
Number of people (indoor / outdoor)		2 / 2
Weight and dimensions		
Platform weight*		10050 kg
Platform dimensions (length x width)	lp / ep	2.10 m x 0.76 m
Floor height (access)	h20	0.50 m
Overall length	l1	8.42 m
Overall width	b1	2.40 m
Overall height	h17	2.71 m
Overall length (stowed)	l9	6.08 m
Overall height (stowed)	h18 ***	3.12 m
Counterweight offset (turret at 90°)	a7	0.12 m
External turning radius	Wa3	3.90 m
Ground clearance at centre of wheelbase	m2	0.44 m
Wheelbase	y	2.40 m
Performances		
Drive speed - stowed		4.70 km/h
Drive speed - raised		0.80 km/h
Gradeability		40 %
Permissible leveling		5 °
Wheels		
Tires type		Cured-on solid tires
Standard tires		1025 x 365 mm
Drive wheels (front / rear)		2 / 2
Steering wheels (front / rear)		2 / 2
Braking wheels (front / rear)		0 / 2
Engine/Battery		
Engine brand / model		Yanmar - 3TNV88C-KMU
Engine nom		Stage V
Engine power (Hp / kW)		34 Hp / 25.50 kW
Miscellaneous		
Ground Pressure		20.65 daN/cm2
Hydraulic Pressure		340 bar
Hydraulic tank capacity		80 l
Fuel		78.50 l
Standards compliance		
This machine is in compliance with:		European directives: 2006/42/EC- Machinery (revised EN280-1:2022) - 2004/108/EC (EMC) - EMC according to EN 12895 / 2015 +A1 / 2019

\*Varies according to options and standards of the country to which the machine is delivered

## 200 ATJ ST5 - Load chart

Load Chart metric



## 200 ATJ ST5 - Dimensional drawing



# Equipment

## Standard

4 simultaneous movements  
4 wheel drive  
4 wheel steer with crab mode  
Audible alarm and illuminated indicator lamp (leveling, overload, lowering)  
Backup electrical pump  
CAN bus technology  
Differential locking on rear axle  
Driver presence pedal  
Easy Link with 2 year Service  
Electrical pre-fitting - 230V  
Emergency stop button in platform and on frame  
Engine with DPF (Diesel Particulate Filter)  
Front axle with limited slip  
Fuel gauge with low level indicator  
Galvanized basket - Width: 2100 mm (6 ft. 11 in.)  
Hour meter  
Integrated diagnostic assistance  
Key lock on turret cover  
LED rotating beacon  
Large color screen on turret  
Management via engine speed bearing  
Oscillating front axle  
Proportional controls  
Secondary Protection System (SPS)  
Stop & Go system

## Optional

Antitheft digicode  
Battery charger  
Battery cut-off  
Biodegradable hydraulic oil - Grade 32  
Charger plug - 110V - 16A - United Kingdom (G) type  
Cold weather protection oil  
Diesel tank locking cap  
Electric plug - 230V - In the basket - With differential circuit breaker - Europe (E/F) type  
Engine pre-heater  
Galvanized basket - Width: 2100 mm (6 ft. 11 in.)  
Higher capacity battery, to start the machine easily in cold countries.  
Key lock on turret cover  
Oil tank locking cap  
On-board generator (3,5 or 5 kW)  
Safety kit - Helmet and harness  
Screen protection on the lower box control



**Head Office**

B.P. 249 - 430 rue de l'Aubinière  
44150 Ancenis Cedex - France

Tel: +33 (0)2 40 09 10 11 - Fax: +33 (0)2 40 09 10 97

[www.manitou.com](http://www.manitou.com)



This publication provides a description of the configuration versions and options for Manitou products, which may differ for equipment. The equipment presented in this brochure may be part of a series, as an option, or it may not be available, depending on the versions. Manitou reserves the right, at any time and without notice, to amend the specifications described and represented. The specifications provided do not bind the manufacturer. For more details, please contact your Manitou agent. This is not a contractually binding document. The presentation of the products is not contractually binding. List of specifications non-exhaustive. The logos as well as the visual identity of the company are owned by Manitou and cannot be used without authorisation. All rights reserved. The photos and diagrams contained in this brochure are only provided for consultation and information purposes.

MANITOU BF SA - Limited company with board of directors - Share capital: 39,668,399 euros - 857 802 508 RCS Nantes