

Technical sheet :

# **MBL 745 HT RANGER (BSV)**

---

Manitou is committed to bringing value to its backhoe loaders by incorporating advanced and robust features for multi-application capabilities. Powered by a BS-V turbocharged engine, the Ranger variant is launched for robustness and improved working on harder surfaces. A curved boom ensures there is no dip in the efficiency of the machine while used on harder strata and can smoothly operate in tough conditions. Curved boom due to its narrow width enables easy operation in narrow and confined areas and improves rear visibility.



 **MANITOU**  
HANDLING YOUR WORLD

Capacities		Metric
Wheelbase 2 wheels drive		2185 mm
Wheelbase 4 wheels drive		2140 mm
Weight and dimensions		
Unladen weight with 2 WD		7750 kg
Unladen weight with 2 WD 7 in 1		8040 kg
Unladen weight with 4 WD		7845 kg
Unladen weight with 4 WD 7 in 1		8135 kg
Overall length	l1	7340 mm
Overall width	b1	2330 mm
Cabin height	h6	2900 mm
Overall height	h17	3520 mm
External turning radius over tyres (braked) / External turning radius over tyres (braked) 4WD	Wa1	3.30 m / 3.85 m
External turning radius over tyres (unbraked) / External turning radius over tyres (unbraked) 4WD	Wa1	4.30 m / 4.20 m
External turning radius over bucket (braked) / External turning radius over bucket (braked) 4WD	Wa5	5 m / 5.55 m
External turning radius over bucket (unbraked)	Wa5	5.75 m
Standard tires front / rear		9.0 x 16 - 16 PR / 16.9 x 28-12 PR
Optional tires (front / rear)		9 x 16 - 16 PR / 12.50 x 18 - 12 PR / 14 x 25 - 20 PR / 16.9 x 28 - 12 PR
Reach at travelling	c2	2030 mm
Rear axle center to slew center	c3	1308 mm
Ground clearance	m4	315 mm
Performances		
Travel speed forward 1st / 2nd		5.40 km/h / 8.60 km/h
Travel speed forward 3rd / 4th		19.90 km/h / 40 km/h
Engine		
Engine brand		M&M
Engine model / nom		MCVNC35TI074CE5A Turbocharged CEV BS-V - BS-V
Displacement		3.50 l
Engine power (kW) / Gross Power		55 kW @ 2200 rpm
Max. torque / Engine rotation		400 Nm @ 1200 rpm
Battery voltage / capacity		12 V / 165 Ah
Transmission		
Transmission brand		Carraro
Number of gears (forward / reverse)		4 / 4
Torque converter stall ratio		2.64:1
Service brake		Wet disc brakes
Hydraulics		
Hydraulic flow		119 l/min
Main relief pressure		225 bar
Hydraulic pump type		Gear pump
Tank capacities		
Hydraulic oil		75 l
Cooling liquid		16 l
Fuel tank capacity		130 l
Transmission oil		17.50 l
Engine oil		13.50 l
Oil rear axle		17.10 l
Oil rear axle 4WD		17.50 l
Bucket		
Backhoe standard capacity		0.27 m³
Width backhoe bucket		889 mm
Loader standard capacity		1 m³
Width loader bucket		2235 mm
Miscellaneous		
Power steering		Yes
Steering wheels (front / rear)		2 / 2

## Performance backhoe

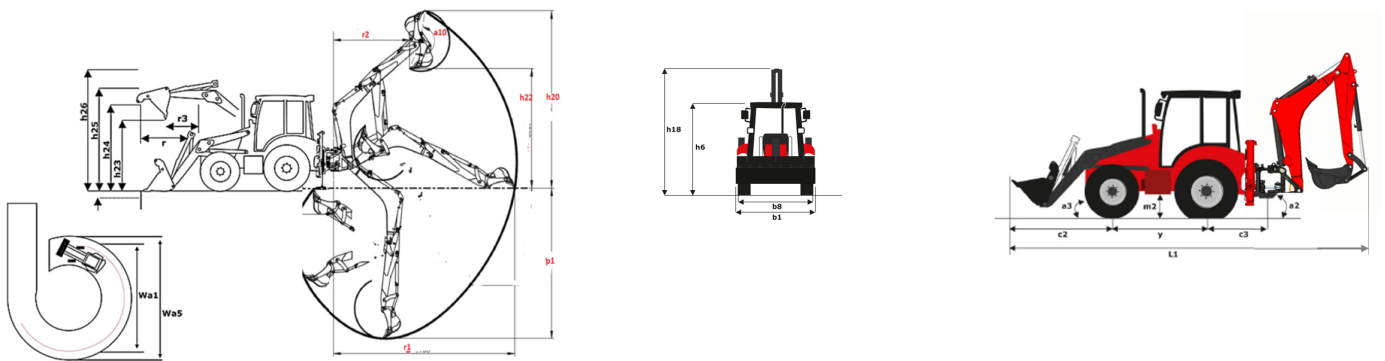
	Standard dipper
p1 - Max dig depth (mm)	4415
r1 - Max reach ground level to slew center (mm)	5710
r2 - Max loading reach (mm)	2570
Max operating height (mm)	5650
Max loading height (mm)	3555
a10 - Max bucket rotation (°)	197
Total side shift (mm)	1181
Dipper tearout (kgF)	3163
Bucket tearout (kgF)	5685
Hydraulic lift capacity (kg)	1460

# Performance loader

Max dump angle (°)
h26 - Max operating height (loader version) (mm)
h23 - Max dump height at 45° (mm)
h24 - Max loadover height (mm)
h25 - Max hinge pin height (mm)
r3 - Max reach at full height 45° (mm)
p3 - Below ground dig depth (mm)
a13 - Rollback at ground (°)
Shovel breakout (kgf)
Arms breakout (kgF)
Lifting capacity at full height (kg)

Standard shovel	
	51
	4230
	2780
	3310
	3570
	710
	156
	45
	5229
	4691
	3467

## MBL 745 HT RANGER (BSV) - Dimensional drawing





**Head Office**

B.P. 249 - 430 rue de l'Aubinière  
44150 Ancenis Cedex - France

Tel: +33 (0)2 40 09 10 11 - Fax: +33 (0)2 40 09 10 97

[www.manitou.com](http://www.manitou.com)



This publication provides a description of the configuration versions and options for Manitou products, which may differ for equipment. The equipment presented in this brochure may be part of a series, as an option, or it may not be available, depending on the versions. Manitou reserves the right, at any time and without notice, to amend the specifications described and represented. The specifications provided do not bind the manufacturer. For more details, please contact your Manitou agent. This is not a contractually binding document. The presentation of the products is not contractually binding. List of specifications non-exhaustive. The logos as well as the visual identity of the company are owned by Manitou and cannot be used without authorisation. All rights reserved. The photos and diagrams contained in this brochure are only provided for consultation and information purposes.

MANITOU BF SA - Limited company with board of directors - Share capital: 39,668,399 euros - 857 802 508 RCS Nantes