

Technical sheet :

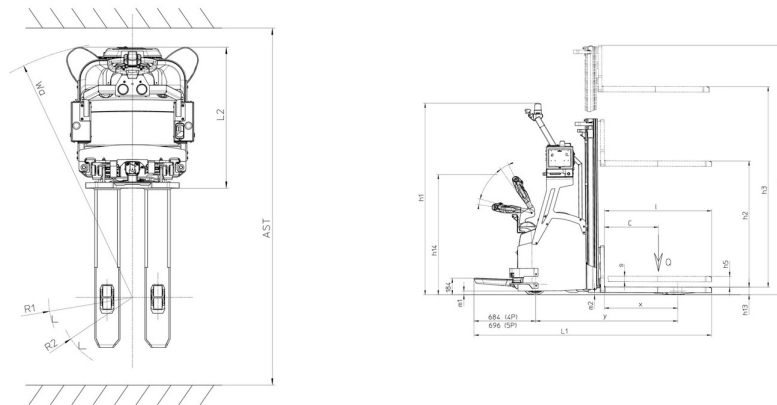
AMR ES 612



 **MANITOU**
HANDLING YOUR WORLD

Technical characteristics			Metric
1.1	Manufacturer		MANITOU
1.2	Model Name		AMR ES612
1.3	Power source		Electrical
1.4	Operator type		Carried
1.5	Max. capacity	Q	1200 kg
1.6	Load center of gravity	c	600 mm
1.8	Load distance, centre of drive axle to fork (low/raised) - Low position / Raised position	x / Q	696 mm / 736 mm
1.9	Wheelbase	y	1457 mm
Wheels			
3.1	Tires type		Polyurethane
3.5	Number of front wheels / rear wheels		2 / 4
3.5.2	Number of drive wheels		1
3.6	Front wheel gauge	b10	531 mm
3.7	Rear wheel gauge	b11	380 mm
Dimensions			
4.19	Overall length	l1	2160 mm
4.20	Length to face of forks	l2	1010 mm
4.21	Overall width	b1	800 mm
4.22	Forks section / width / length	s / e / l	60 mm / 185 mm / 1150 mm
4.24	Fork carriage width	b3	700 mm
4.32	Ground clearance at centre of wheelbase	m2	30 mm
4.33	Aisle Width for pallets 1000 x 1200 crossways	Ast	2999 mm
4.35	Turning radius	Wa	2143 mm
Performances			
5.1	Travel speed (laden / unladen)		6 km/h / 6 km/h
5.2	Lifting speed (laden / unladen)		0.18 m/s / 0.30 m/s
5.3	Lowering speed (laden / unladen)		0.27 m/s / 0.22 m/s
5.8	Max Gradeability (laden / unladen)		7 % / 10 %
5.10	Service brake		Electro magnetic
Engine			
6.1	Drive motor rating S2 60 min		1.50 kW
6.2	Lift motor rating at S3 15%		3 kW
6.3	Battery according to DIN 43531/35/36 A, B, C		DIN 43535-B
6.4	Battery voltage / capacity		24 V / 270 Ah
6.4.1	Battery max. capacity		375 A
6.5	Battery weight (+/- 5%)		255 kg
6.5.1	Battery max. weight		305 kg
Miscellaneous			
8.1	Type of drive control		Variator
8.4	Sound level at the driver's ear according to DIN 12 053		70 dB

AMR ES 612 - Dimensional drawing



Characteristics of masts and residual capacities

Full Visibility Duplex (FVD)		FVD 29	FVD 34	FVD 38	FVD 43
h1 - Mast lowered height	mm	1953	2203	2403	2653
h3 - Mast lifting height	mm	2936	3436	3836	4336
h4 - Mast extended height	mm	3390	3890	4290	4790
Residual capacity at max height	kg	1200	1050	800	650



Head Office

B.P. 249 - 430 rue de l'Aubinière

44150 Ancenis Cedex - France

Tel: +33 (0)2 40 09 10 11 - Fax: +33 (0)2 40 09 10 97

www.manitou.com



This publication provides a description of the configuration versions and options for Manitou products, which may differ for equipment. The equipment presented in this brochure may be part of a series, as an option, or it may not be available, depending on the versions. Manitou reserves the right, at any time and without notice, to amend the specifications described and represented. The specifications provided do not bind the manufacturer. For more details, please contact your Manitou agent. This is not a contractually binding document. The presentation of the products is not contractually binding. List of specifications non-exhaustive. The logos as well as the visual identity of the company are owned by Manitou and cannot be used without authorisation. All rights reserved. The photos and diagrams contained in this brochure are only provided for consultation and information purposes.

MANITOU BF SA - Limited company with board of directors - Share capital: 39,668,399 euros - 857 802 508 RCS Nantes