

Technical sheet :

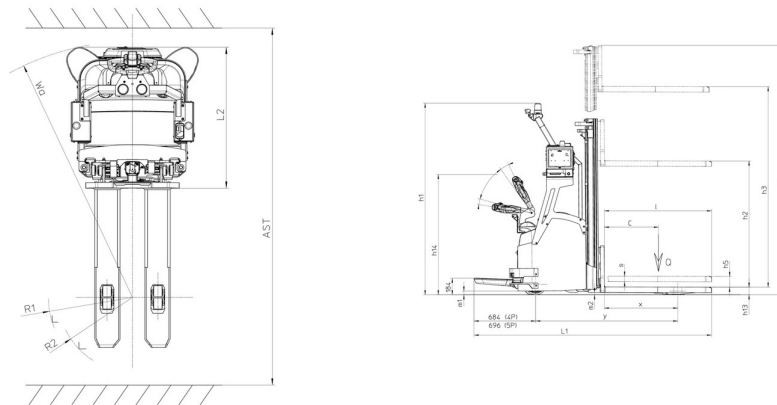
AMR ES 612



 **MANITOU**
HANDLING YOUR WORLD

| Technical characteristics | | Metric | |
|---------------------------|---|-----------|--------------------------|
| 1.1 | Manufacturer | | MANITOU |
| 1.2 | Model Name | | AMR ES612 |
| 1.3 | Power source | | Electrical - Lead |
| 1.4 | Operator type | | Carried |
| 1.5 | Max. capacity | Q | 1200 kg |
| 1.6 | Load center of gravity | c | 600 mm |
| 1.8 | Load distance, centre of drive axle to fork (low/raised) - Low position / Raised position | x | 696 mm / 736 mm |
| 1.9 | Wheelbase | y | 1457 mm |
| Wheels | | | |
| 3.1 | Tires type | | Polyurethane cushion |
| 3.5 | Number of front wheels / rear wheels | | 2 / 4 |
| 3.5.2 | Number of drive wheels | | 1 |
| 3.6 | Front wheel gauge | b10 | 531 mm |
| 3.7 | Rear wheel gauge | b11 | 380 mm |
| Dimensions | | | |
| 4.19 | Overall length | l1 | 2160 mm |
| 4.20 | Length to face of forks | l2 | 1010 mm |
| 4.21 | Overall width | b1 | 800 mm |
| 4.22 | Forks section / width / length | s / e / l | 60 mm / 185 mm / 1150 mm |
| 4.24 | Fork carriage width | b3 | 700 mm |
| 4.32 | Ground clearance at centre of wheelbase | m2 | 30 mm |
| 4.33 | Aisle Width for pallets 1000 x 1200 crossways | Ast | 2999 mm |
| 4.35 | Turning radius | Wa | 2143 mm |
| Performances | | | |
| 5.1 | Travel speed (laden / unladen) | | 6 km/h / 6 km/h |
| 5.2 | Lifting speed (laden / unladen) | | 0.18 m/s / 0.30 m/s |
| 5.3 | Lowering speed (laden / unladen) | | 0.27 m/s / 0.22 m/s |
| 5.8 | Max Gradeability (laden / unladen) | | 7 % / 10 % |
| 5.10 | Service brake | | Electro magnetic |
| Engine | | | |
| 6.1 | Drive motor rating S2 60 min | | 1.50 kW |
| 6.2 | Lift motor rating at S3 15% | | 3 kW |
| 6.3 | Battery according to DIN 43531/35/36 A, B, C | | DIN 43535-B |
| 6.4 | Battery voltage / capacity | | 24 V / 270 Ah |
| 6.4.1 | Battery max. capacity | | 375 Ah |
| 6.5 | Battery weight (+/- 5%) | | 255 kg |
| 6.5.1 | Battery max. weight | | 305 kg |
| Miscellaneous | | | |
| 8.1 | Type of drive control | | Variator |
| 8.4 | Sound level at the driver's ear according to DIN 12 053 | | 70 dB |

AMR ES 612 - Dimensional drawing



Characteristics of masts and residual capacities

| Full Visibility Duplex (FVD) | | FVD 29 | FVD 34 | FVD 38 | FVD 43 |
|---------------------------------|----|--------|--------|--------|--------|
| h1 - Mast lowered height | mm | 1953 | 2203 | 2403 | 2653 |
| h3 - Mast lifting height | mm | 2936 | 3436 | 3836 | 4336 |
| h4 - Mast extended height | mm | 3390 | 3890 | 4290 | 4790 |
| Residual capacity at max height | kg | 1200 | 1050 | 800 | 650 |



Head Office

B.P. 249 - 430 rue de l'Aubinière
44150 Ancenis Cedex - France

Tel: +33 (0)2 40 09 10 11 - Fax: +33 (0)2 40 09 10 97

www.manitou.com



This publication provides a description of the configuration versions and options for Manitou products, which may differ for equipment. The equipment presented in this brochure may be part of a series, as an option, or it may not be available, depending on the versions. Manitou reserves the right, at any time and without notice, to amend the specifications described and represented. The specifications provided do not bind the manufacturer. For more details, please contact your Manitou agent. This is not a contractually binding document. The presentation of the products is not contractually binding. List of specifications non-exhaustive. The logos as well as the visual identity of the company are owned by Manitou and cannot be used without authorisation. All rights reserved. The photos and diagrams contained in this brochure are only provided for consultation and information purposes.

MANITOU BF SA - Limited company with board of directors - Share capital: 39,668,399 euros - 857 802 508 RCS Nantes