

Technical sheet :

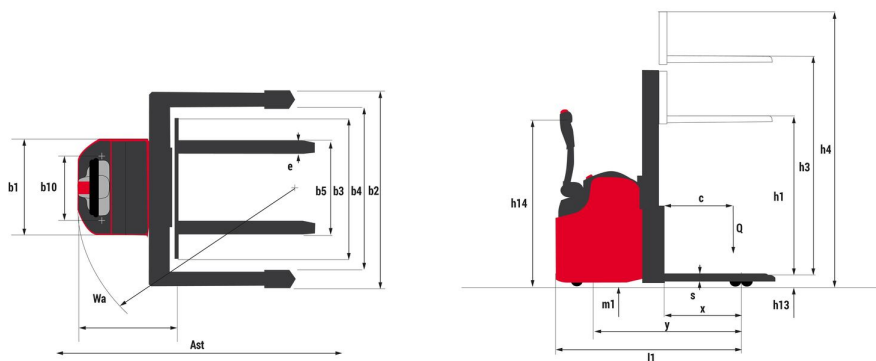
ES 720 4W



 **MANITOU**
HANDLING YOUR WORLD

Technical characteristics		Metric	
1.1	Manufacturer		MANITOU
1.2	Model Name		ES 720 4W
1.3	Power source		Electrical - Lead
1.4	Operator type		Pedestrian
1.5	Max. capacity	Q	2000 kg
1.6	Load center of gravity	c	600 mm
1.8	Load distance, centre of drive axle to fork (low/raised) - Low position	x	690 mm
1.9	Wheelbase	y	1194 mm
Wheels			
3.1	Tires type		Polyurethane cushion
3.4	Size of castor wheels		125 x (2x50)
3.5	Number of front wheels / rear wheels		5 / 4
3.5.2	Number of drive wheels		1
3.6	Front wheel gauge	b10	878 mm
3.7	Rear wheel gauge	b11	1610 mm
Dimensions			
4.10	Height of wheel arms	h8	200 mm
4.15	Fork height in low position	h13	50 mm
4.19	Overall length	l1	1775 mm
4.20	Length to face of forks	l2	825 mm
4.21	Overall width	b1	1810 mm
4.22	Forks section / width / length	s / e / l	40 mm / 120 mm / 1150 mm
4.26	Distance between wheel arms/loading surfaces	b4	1450 mm
4.24	Fork carriage width	b3	1410 mm
4.32	Ground clearance at centre of wheelbase	m2	50 mm
4.33	Aisle Width for pallets 1000 x 1200 crossways	Ast	2664 mm
4.34	Aisle width for 800 x 1200 pallet lengthways	Ast	2664 mm
4.35	Turning radius	Wa	1476 mm
4.9	Height tiller min. / max.	h14	1030 mm / 1490 mm
Performances			
5.1	Travel speed (laden / unladen)		6 km/h / 6 km/h
5.2	Lifting speed (laden / unladen)		0.14 m/s / 0.24 m/s
5.3	Lowering speed (laden / unladen)		0.30 m/s / 0.20 m/s
5.10	Service brake		Electro magnetic
Engine			
6.1	Drive motor rating S2 60 min		1.20 kW
6.2	Lift motor rating at S3 15%		3 kW
6.3	Battery according to DIN 43531/35/36 A, B, C		DIN 43535-B
6.4	Battery voltage / capacity		24 V / 160 Ah
6.4.1	Battery max. capacity		250 Ah
6.5	Battery weight (+/- 5%)		165 kg
6.5.1	Battery max. weight		215 kg
Miscellaneous			
8.1	Type of drive control		Variator
8.4	Sound level at the driver's ear according to DIN 12 053		70 dB

ES 720 4W - Dimensional drawing



Characteristics of masts and residual capacities

Central Cylinder Simplex (CCS)		CCS 15	CCS 17
h1 - Mast lowered height	mm	1945	2195
h2 - Mast free lift	mm	1420	1670
h3 - Mast lifting height	mm	1500	1700
h4 - Mast extended height	mm	1965	2215
Residual capacity at max height	kg	2000	2000
Height at max capacity	mm	1470	1470

Full Visibility Duplex (FVD)		FVD 29	FVD 34	FVD 38
h1 - Mast lowered height	mm	1945	2195	2395
h3 - Mast lifting height	mm	2900	3400	3800
h4 - Mast extended height	mm	3400	3900	4300
Residual capacity at max height	kg	2000	1800	1600
Height at max capacity	mm	2940	2900	2900

Free Lift Duplex (FLD)		FLD 29	FLD 34
h1 - Mast lowered height	mm	1945	2195
h2 - Mast free lift	mm	1420	1670
h3 - Mast lifting height	mm	2900	3400
h4 - Mast extended height	mm	3400	3900
Residual capacity at max height	kg	2000	1700
Height at max capacity	mm	2930	2900

Free Lift Triplex (FLT)		FLT 42	FLT 47	FLT 54
h1 - Mast lowered height	mm	1900	2065	2305
h2 - Mast free lift	mm	1380	1540	1790
h3 - Mast lifting height	mm	4200	4700	5400
h4 - Mast extended height	mm	4720	5200	5930
Residual capacity at max height	kg	1300	1000	700
Height at max capacity	mm	2900	2900	2900

**Head Office**

B.P. 249 - 430 rue de l'Aubinière
44150 Ancenis Cedex - France
Tel: +33 (0)2 40 09 10 11 - Fax: +33 (0)2 40 09 10 97
www.manitou.com



This publication provides a description of the configuration versions and options for Manitou products, which may differ for equipment. The equipment presented in this brochure may be part of a series, as an option, or it may not be available, depending on the versions. Manitou reserves the right, at any time and without notice, to amend the specifications described and represented. The specifications provided do not bind the manufacturer. For more details, please contact your Manitou agent. This is not a contractually binding document. The presentation of the products is not contractually binding. List of specifications non-exhaustive. The logos as well as the visual identity of the company are owned by Manitou and cannot be used without authorisation. All rights reserved. The photos and diagrams contained in this brochure are only provided for consultation and information purposes.

MANITOU BF SA - Limited company with board of directors - Share capital: 39,668,399 euros - 857 802 508 RCS Nantes