

Technical sheet :

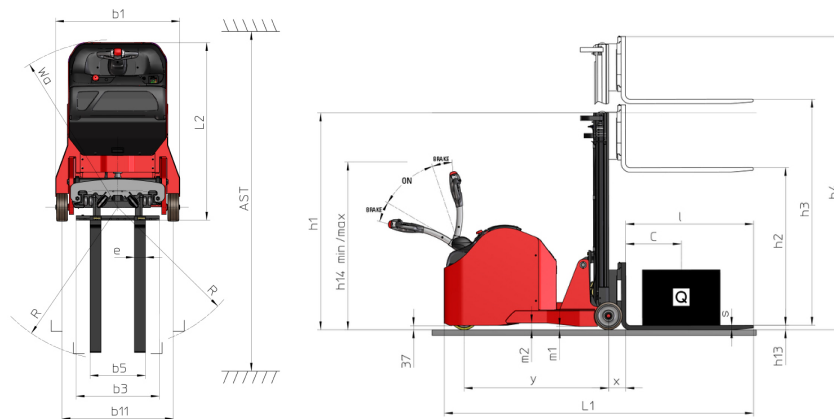
ES-C 716



 **MANITOU**
HANDLING YOUR WORLD

Technical characteristics			Metric	
1.1	Manufacturer			Manitou
1.2	Model Name			ES-C 716
1.3	Power source			Electrical - Lead
1.4	Operator type			Pedestrian
1.5	Max. capacity	Q		1600 kg
1.6	Load center of gravity	c		500 mm
1.8	Distance from Load backrest to center of rear axle	x		157 mm
1.9	Wheelbase	y		1300 mm
Weight				
2.1	Service weight			2400 kg
2.2	Weight on front axle (laden) / rear axle (laden)			520 kg / 3460 kg
2.3	Weight on front axle (Unladen) / rear axle (Unladen)			1350 kg / 1050 kg
Wheels				
3.1	Tires type			Polyurethane cushion
3.3	Number of load wheels / Size of load wheels			2 / 250x100
3.5	Number of front wheels / rear wheels			1 / 2
3.5.2	Number of drive wheels / Size of drive wheels			1/254x100
3.7	Rear wheel gauge	b11		1003 mm
Dimensions				
4.15	Fork height in low position	h13		45 mm
4.19	Overall length	l1		2790 mm
4.20	Length to face of forks	l2		1640 mm
4.21	Overall width	b1		1120 mm
4.22	Forks section / width / length	s / e / l		40 mm / 100 mm / 1150 mm
4.24	Fork carriage width	b3		750 mm
4.31	Ground clearance below mast	m1		31 mm
4.32	Ground clearance at centre of wheelbase	m2		62 mm
4.33	Aisle Width for pallets 1000 x 1200 crossways	Ast		3128 mm
4.34	Aisle width for 800 x 1200 pallet lengthways	Ast		3236 mm
4.35	Turning radius	Wa		1660 mm
4.9	Height tiller min. / max.	h14 / h14		1005 mm / 1405 mm
Performances				
5.1	Travel speed (laden / unladen)			6 km/h / 6 km/h
5.2	Lifting speed (laden / unladen)			0.11 m/s / 0.20 m/s
5.3	Lowering speed (laden / unladen)			0.22 m/s / 0.21 m/s
5.8	Max Gradeability (laden / unladen)			5 % / 8 %
5.10	Service brake			Electro magnetic
Engine				
6.1	Drive motor rating S2 60 min			2 kW
6.2	Lift motor rating at S3 15%			4 kW
6.3	Battery according to DIN 43531/35/36 A, B, C			DIN 43535-B
6.4	Battery voltage / capacity			24 V / 315 Ah
6.4.1	Battery max. capacity			315 A
6.5	Battery weight (+/- 5%)			275 kg
6.5.1	Battery max. weight			300 kg
Miscellaneous				
8.1	Type of drive control			AC
8.4	Sound level at the driver's ear according to DIN 12 053			65 dB

ES-C 716 - Dimensional drawing



Characteristics of masts and residual capacities

Central Cylinder Duplex (CCD)		CCD 29	CCD 34	CCD 38
α - Mast/fork carriage tilt, forward	°	4	4	4
β - Mast/fork carriage tilt, backward	°	6	6	6
h1 - Mast lowered height	mm	1955	2205	2405
h2 - Mast free lift	mm	1420	1420	1420
h3 - Mast lifting height	mm	2900	3400	3800
h4 - Mast extended height	mm	3400	3960	4360
Residual capacity at max height	kg	1600	1600	1250

Central Cylinder Simplex (CCS)		CCS 15	CCS 17
α - Mast/fork carriage tilt, forward	°	4	4
β - Mast/fork carriage tilt, backward	°	6	6
h1 - Mast lowered height	mm	1955	2205
h2 - Mast free lift	mm	1420	1420
h3 - Mast lifting height	mm	1500	1700
h4 - Mast extended height	mm	2030000	2280
Residual capacity at max height	kg	1600	1600

Free Lift Duplex (FLD)		FLD 29	FLD 34
α - Mast/fork carriage tilt, forward	°	4	4
β - Mast/fork carriage tilt, backward	°	6	6
h1 - Mast lowered height	mm	1955	2205
h2 - Mast free lift	mm	1420	1420
h3 - Mast lifting height	mm	2900	3400
h4 - Mast extended height	mm	3460	3960
Residual capacity at max height	kg	1600	1600

Free Lift Triplex (FLT)		FLT 42	FLT 47	FLT 54
α - Mast/fork carriage tilt, forward	°	4	4	4
β - Mast/fork carriage tilt, backward	°	6	6	6
h1 - Mast lowered height	mm	1915	2075	2315
h2 - Mast free lift	mm	1420	1420	1420
h3 - Mast lifting height	mm	4200	4700	5400
h4 - Mast extended height	mm	4770	5250	5980000
Residual capacity at max height	kg	1050	850	650



Head Office

B.P. 249 - 430 rue de l'Aubinière

44150 Ancenis Cedex - France

Tel: +33 (0)2 40 09 10 11 - Fax: +33 (0)2 40 09 10 97

www.manitou.com



This publication provides a description of the configuration versions and options for Manitou products, which may differ for equipment. The equipment presented in this brochure may be part of a series, as an option, or it may not be available, depending on the versions. Manitou reserves the right, at any time and without notice, to amend the specifications described and represented. The specifications provided do not bind the manufacturer. For more details, please contact your Manitou agent. This is not a contractually binding document. The presentation of the products is not contractually binding. List of specifications non-exhaustive. The logos as well as the visual identity of the company are owned by Manitou and cannot be used without authorisation. All rights reserved. The photos and diagrams contained in this brochure are only provided for consultation and information purposes.

MANITOU BF SA - Limited company with board of directors - Share capital: 39,668,399 euros - 857 802 508 RCS Nantes