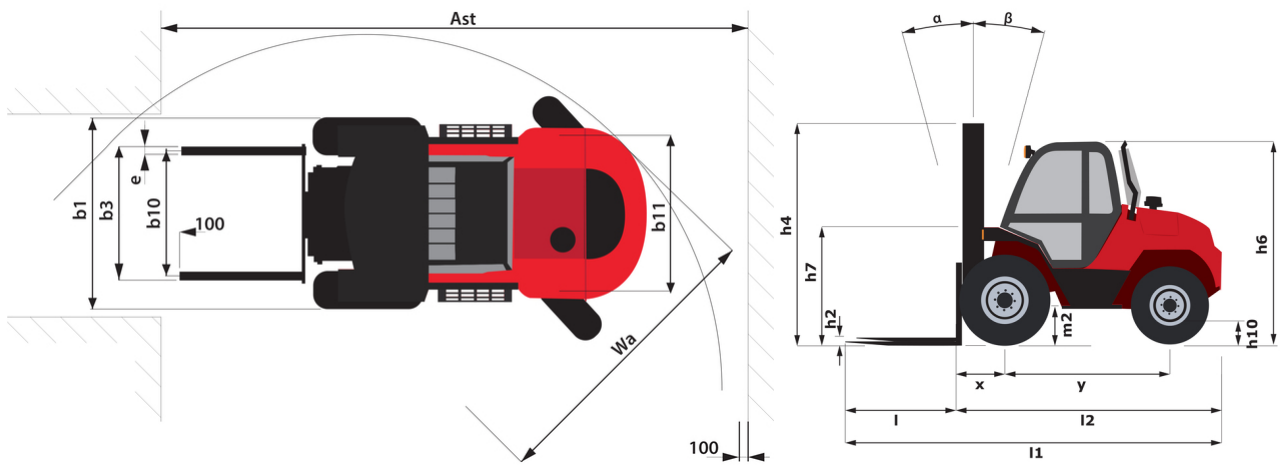
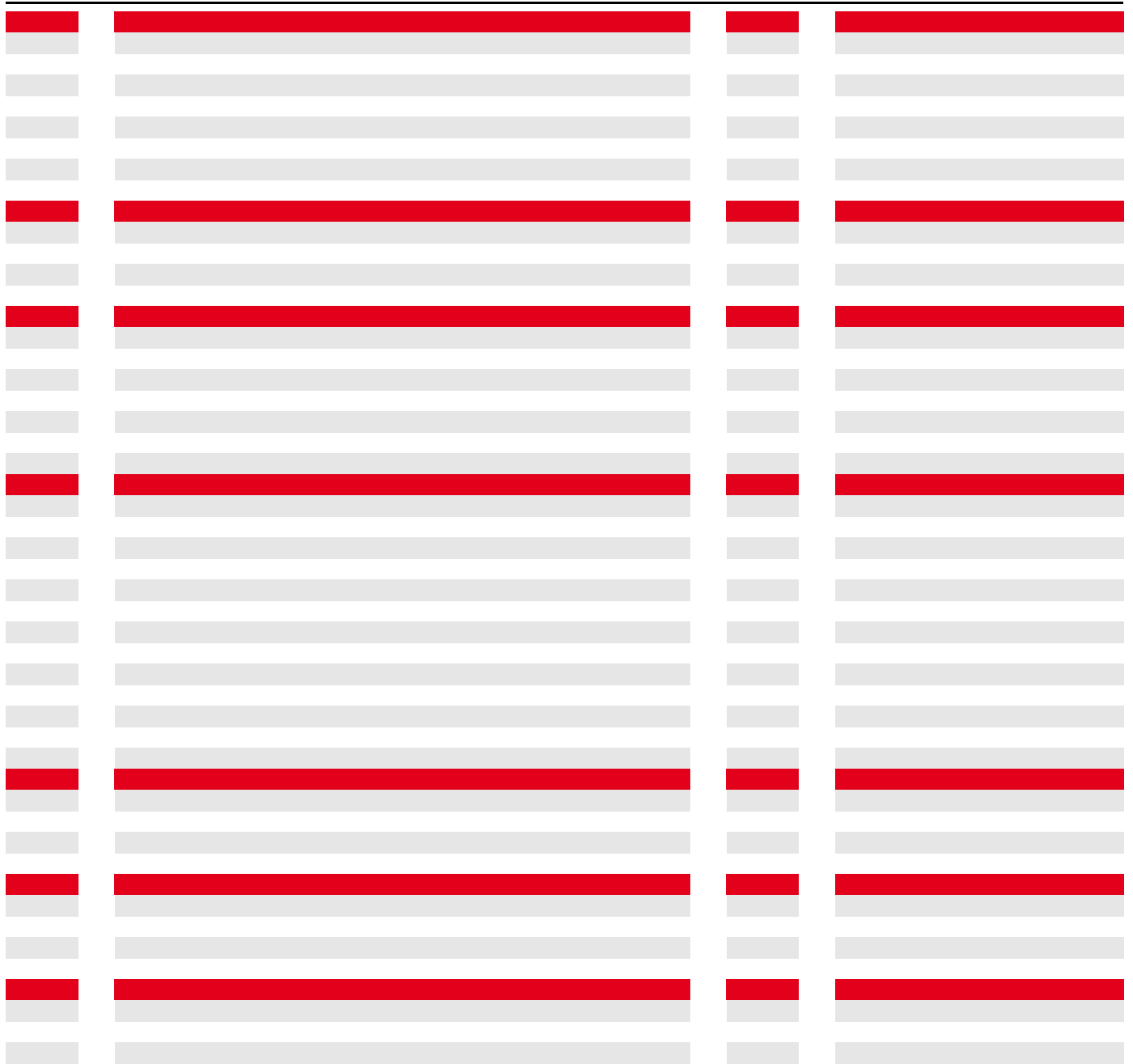


M 26-4 D ST5







 **MANITOU**
HANDLING YOUR WORLD

