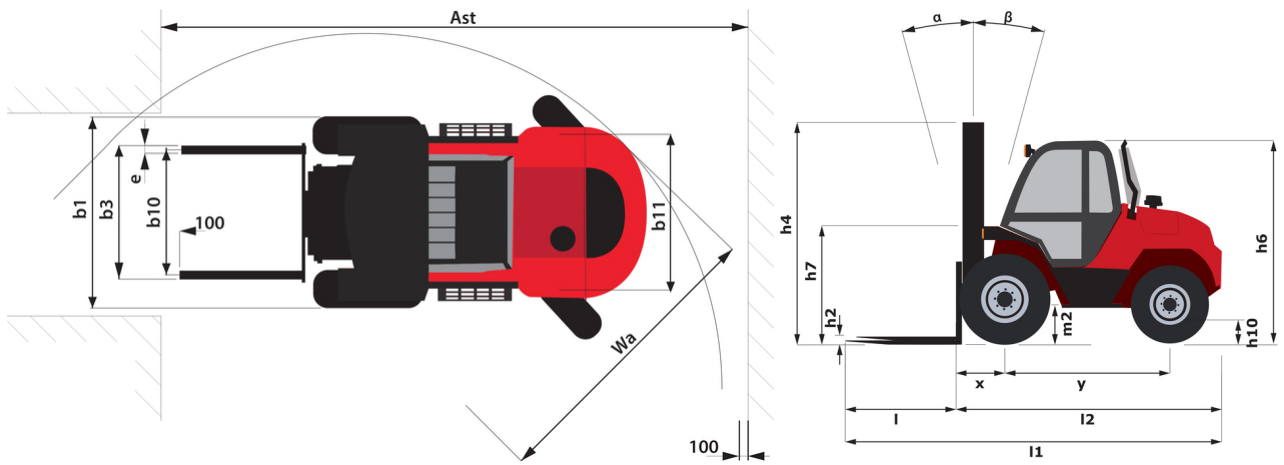
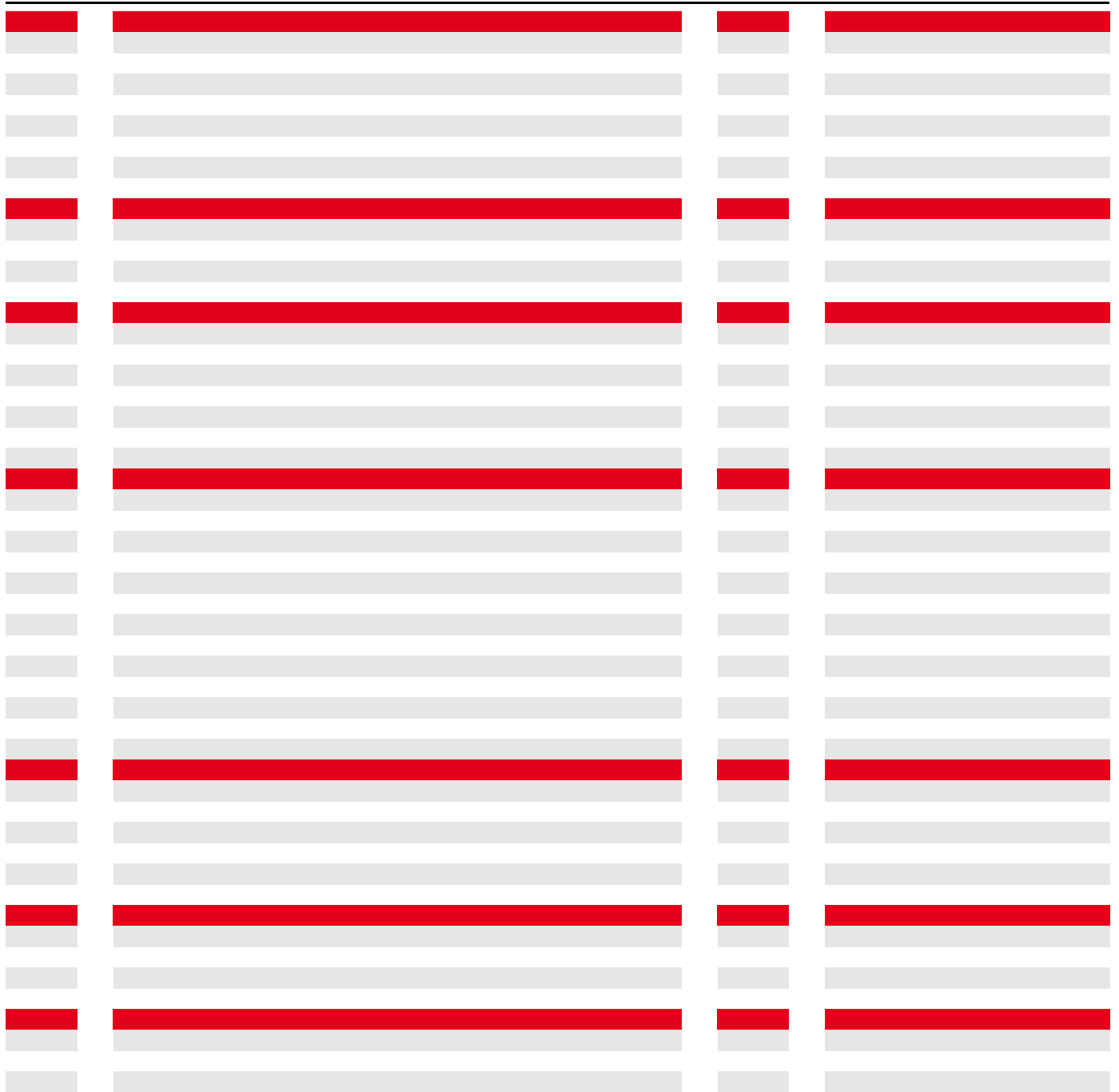


M 70-2 H D ST5



 **MANITOU**
HANDLING YOUR WORLD





 **MANITOU**
HANDLING YOUR WORLD

