

Fiche technique :

MBL-X 920 92P ST2

Manitou is committed to bringing value to its backhoe loaders by incorporating advanced and robust features for multi-application capabilities. MBL X 920 is powered by Tier -II/III engine. The structure of MBL X 920 is durable and designed for intensive operations. It comes with the latest cabin design and unbreakable bonnet which promises to deliver higher up-time and require low maintenance, even after prolonged usage. Customers get quick returns on their investments on top of an optimum Total Cost of Ownership. It comes with an option of features such as AC, multipurpose bucket.



 **MANITOU**
HANDLING YOUR WORLD

| Capacités | | Métrique |
|---|------|--|
| Wheelbase 2 wheels drive | | 2185 mm |
| Wheelbase 4 wheels drive | | 2130 mm |
| Weight and dimensions | | |
| Unladen weight | | 7620 kg |
| Unladen weight with 4 WD | | 7620 kg |
| Unladen weight with 4 WD 7 in 1 | | 7908 kg |
| Unladen weight 4WD - Side shift | | 7620 kg |
| Overall length | l1 | 7330 mm |
| Overall width | b1 | 2330 mm |
| Overall width with stabilizers extended - Center mount only | | 3910 mm |
| Cabin height | h6 | 2830 mm |
| Height of cab with air conditioning (option) | h6** | 2860 mm |
| Overall height | h17 | 3790 mm |
| External turning radius over tyres (braked) | Wa1 | 3850 mm |
| External turning radius over tyres (unbraked) | Wa1 | 4200 mm |
| External turning radius over bucket (braked) | Wa5 | 5550 mm |
| External turning radius over bucket (unbraked) | Wa5 | 5700 mm |
| Standard tires front / rear | | 12.5 x 18 - 12 PR / 16.9 x 28-12PR |
| Optional tyre (front / rear) | | 9 x 16 - 16 PR / 14 x 25 - 20 PR |
| Ground clearance | m4 | 280 mm |
| Performances | | |
| Travel speed forward 1st / 2nd | | 5.40 km/h / 8.60 km/h |
| Travel speed forward 3rd / 4th | | 19.90 km/h / 40 km/h |
| Engine | | |
| Engine brand | | Perkins |
| Engine model | | 1104C 44T Turbo Charged Water Cooled Tier-II |
| Displacement | | 4.40 l |
| Gross Power / Power | | 68.50 kW @ 2200 rpm |
| Max. torque | | 395 Nm |
| Battery voltage / capacity | | 12 V / 75 Ah |
| Transmission | | |
| Transmission brand | | Carraro |
| Number of gears (forward / reverse) | | 4 / 4 |
| Torque converter stall ratio | | 3.01:1 |
| Service brake | | Wet disc brakes |
| Hydraulics | | |
| Hydraulic flow | | 142 l/min |
| Main relief pressure | | 225 bar |
| Tank capacities | | |
| Hydraulic oil | | 90 l |
| Liquid cooling tank volume | | 16 l |
| Fuel tank | | 145 l |
| Transmission oil | | 17.50 l |
| Engine oil | | 9.10 l |
| Oil rear axle | | 17.50 l |
| Bucket | | |
| Backhoe standard capacity | | 0.24 m³ |
| Width backhoe bucket | | 892 mm |
| Loader standard capacity | | 1 m³ |
| Width loader bucket | | 2235 mm |
| Miscellaneous | | |
| Power steering | | Oui |
| Front steer axle of oscillation 2WD | | 20 ° |
| Steering wheels (front / rear) | | 2 / 2 |

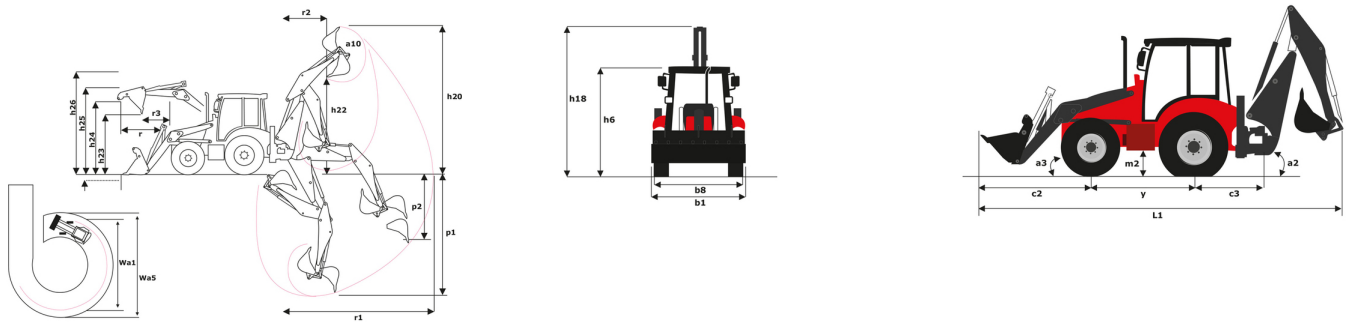
Performance backhoe

| | Standard dipper |
|---|-----------------|
| p1 - Max dig depth (mm) | 4741 |
| r1 - Max reach ground level to slew center (mm) | 5730 |
| r2 - Max loading reach (mm) | 1996 |
| Max operating height (mm) | 5626 |
| Max loading height (mm) | 3871 |
| p2 - Max straight wall dig depth (mm) | 2602 |
| a10 - Max bucket rotation (°) | 194 |
| Total side shift (mm) | 1198 |
| Dipper tearout (kgF) | 4336 |
| Bucket tearout (kgF) | 5810 |
| Hydraulic lift capacity (kg) | 1460 |

Performance loader

| | Standard shovel |
|--|-----------------|
| Max dump angle (°) | 51 |
| h26 - Max operating height (loader version) (mm) | 4230 |
| h23 - Max dump height at 45° (mm) | 2780 |
| h24 - Max loadover height (mm) | 3310 |
| h25 - Max hinge pin height (mm) | 3570 |
| r3 - Max reach at full height 45° (mm) | 710 |
| p3 - Below ground dig depth (mm) | 156 |
| a13 - Rollback at ground (°) | 45 |
| Shovel breakout (kgf) | 5229 |
| Arms breakout (kgF) | 5312 |
| Lifting capacity at full height (kg) | 3819 |

MBL-X 920 92P ST2 - Schémas d'encombrement





Siège Social

B.P. 249 - 430 rue de l'Aubinière

44150 Ancenis Cedex - France

Tel: +33 (0)2 40 09 10 11 - Fax: +33 (0)2 40 09 10 97

www.manitou.com



Cette publication présente le descriptif des versions et possibilités de configuration des produits Manitou qui peuvent différer en équipement. Les équipements présentés dans cette brochure peuvent être de série, en option, ou non disponibles suivant les versions. Manitou se réserve le droit, à tout moment et sans préavis, de modifier les spécifications décrites et représentées. Les spécifications portées n'engagent pas le constructeur. Pour plus de détails, contactez votre concessionnaire Manitou. Document non contractuel. Présentation des produits non contractuelle. Liste des spécifications non exhaustive. Les logos ainsi que l'identité visuelle de l'entreprise sont la propriété de Manitou et ne peuvent être utilisés sans autorisation. Tous droits réservés. Les photos et schémas contenus dans la présente brochure ne sont fournis qu'à des fins de consultation et à titre indicatif.

Manitou BF SA - Société anonyme à conseil d'administration - Capital social : 39 668 399 euros - 857 802 508 RCS Nantes