

Technical sheet :

# MC-X 25-4

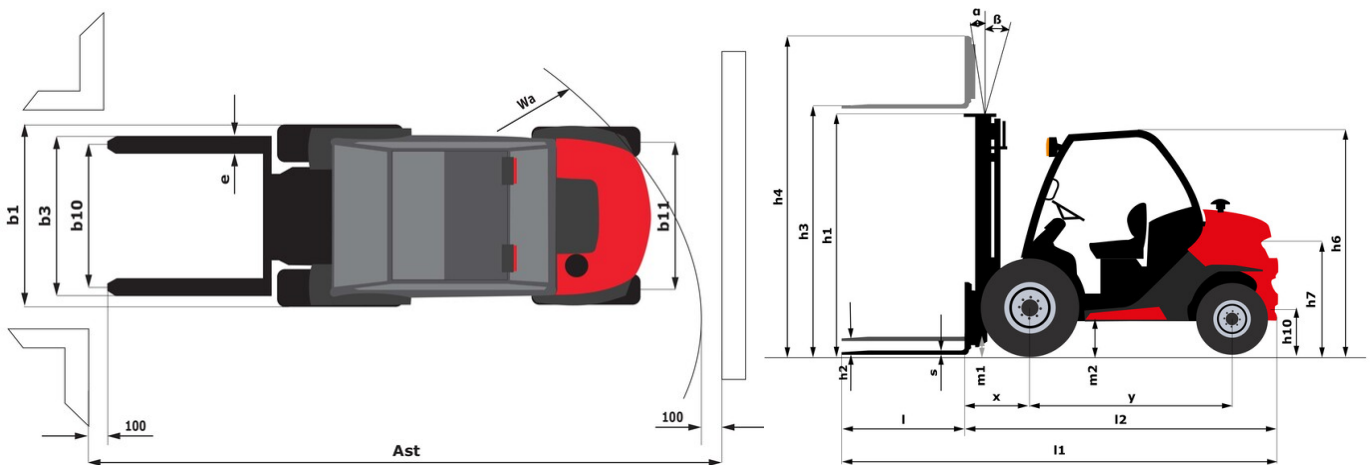
---



 **MANITOU**  
HANDLING YOUR WORLD

Technical characteristics			Metric	
1.1	Manufacturer			Manitou
1.2	Model Name			MC-X 25-4
1.3	Power source			Diesel
1.4	Operator type			Seated
1.5	Max. capacity	Q		2500 kg
1.6	Load center of gravity	c		500 mm
1.8	Load distance, centre of drive axle to fork	x		621 mm
1.9	Wheelbase	y		1900 mm
Weight				
2.1	Service weight			4035 kg
2.2	Weight on front axle (laden) / rear axle (laden)			5550 kg / 985 kg
2.3	Weight on front axle (Unladen) / rear axle (Unladen)			1575 kg / 2460 kg
Wheels				
3.1	Tires type			Pneumatic
3.2	Dimensions of front wheels			12,5/80-18/12 SL R4
3.3	Dimensions of rear wheels			27x10-12 SKS
3.5	Number of front wheels / rear wheels			2 / 2
3.5.2	Number of drive wheels			4
3.6	Front wheel gauge	b10		1159 mm
3.7	Rear wheel gauge	b11		1176 mm
Dimensions				
4.7	Height of overhead guard (cabin) / Overall height of low overhead guard (Buggie version)	h6 / h6*		2155 mm / 1990 mm
4.8	Seat height/stand height	h7		1094 mm
4.19	Overall length	l1		4195 mm
4.20	Length to face of forks	l2		3045 mm
4.21	Overall width	b1		1450 mm
4.22	Forks section x width x length	s / e / l		40 mm x 122 mm / 1150 mm
4.23	Fork carriage ISO 2328 (class/form) A/B			2A
4.24	Fork carriage width	b3		1260 mm
4.31	Ground clearance below mast	m1		300 mm
4.32	Ground clearance at centre of wheelbase	m2		310 mm
4.35	Turning radius	Wa		3405 m
Performances				
5.1	Travel speed (laden / unladen)			12 km/h / 24.90 km/h
5.2	Lifting speed (laden / unladen)			0.47 m/s / 0.46 m/s
5.3	Lowering speed (laden / unladen)			0.50 m/s / 0.30 m/s
5.10	Service brake			Hydraulic brakes by loss of pressure
Engine				
7.2	I.C. Engine power rating			36 kW
7.1	Engine brand / model			Kubota / V2403
7.3	Rated speed			2700 rpm
7.4	Number of cylinders / Capacity of cylinders			4 - 2434 cm³
Miscellaneous				
8.1	Type of drive control			Cable
8.2	Working hydraulic pressure for attachments			180 bar
8.3	Oil flow rate for attachments			53 l/min

MC-X 25-4 - Dimensional drawing



## Characteristics of masts and residual capacities

Full Visibility Duplex (FVD)		FVD 33	FVD 37	FVD 45
$\alpha$ - Mast/fork carriage tilt, forward	°	10	10	10
$\beta$ - Mast/fork carriage tilt, backward	°	12	12	12
h1 - Mast lowered height	mm	2338	2598	3038
h2 - Mast free lift	mm	112	112	112
h3 - Mast lifting height	mm	3300	3700	4500
h4 - Mast extended height	mm	4090	4490	5290
Height at max capacity	mm	2500	2500	2500

Free Lift Triplex (FLT)		FLT 34	FLT 37	FLT 40	FLT 43	FLT 47	FLT 55
$\alpha$ - Mast/fork carriage tilt, forward	°	10	10	10	10	10	6
$\beta$ - Mast/fork carriage tilt, backward	°	12	12	12	12	12	6
h1 - Mast lowered height	mm	1988	2088	2188	2338	2438	2788
h2 - Mast free lift	mm	1210	1310	1410	1510	1660	1920
h3 - Mast lifting height	mm	3400	3700	4000	4300	4700	5500
h4 - Mast extended height	mm	4236	4536	4836	5168	5536	6408
Height at max capacity	mm	2500	2500	2500	2500	2500	2500

Full Visibility Triplex (FVT)		FVT 33
$\alpha$ - Mast/fork carriage tilt, forward	°	10
$\beta$ - Mast/fork carriage tilt, backward	°	12
h1 - Mast lowered height	mm	1878
h2 - Mast free lift	mm	124
h3 - Mast lifting height	mm	3300
h4 - Mast extended height	mm	4079
Height at max capacity	mm	2500



**Head Office**

B.P. 249 - 430 rue de l'Aubinière

44150 Ancenis Cedex - France

Tel: +33 (0)2 40 09 10 11 - Fax: +33 (0)2 40 09 10 97

[www.manitou.com](http://www.manitou.com)



This publication provides a description of the configuration versions and options for Manitou products, which may differ for equipment. The equipment presented in this brochure may be part of a series, as an option, or it may not be available, depending on the versions. Manitou reserves the right, at any time and without notice, to amend the specifications described and represented. The specifications provided do not bind the manufacturer. For more details, please contact your Manitou agent. This is not a contractually binding document. The presentation of the products is not contractually binding. List of specifications non-exhaustive. The logos as well as the visual identity of the company are owned by Manitou and cannot be used without authorisation. All rights reserved. The photos and diagrams contained in this brochure are only provided for consultation and information purposes.

MANITOU BF SA - Limited company with board of directors - Share capital: 39,668,399 euros - 857 802 508 RCS Nantes