

Technical sheet :

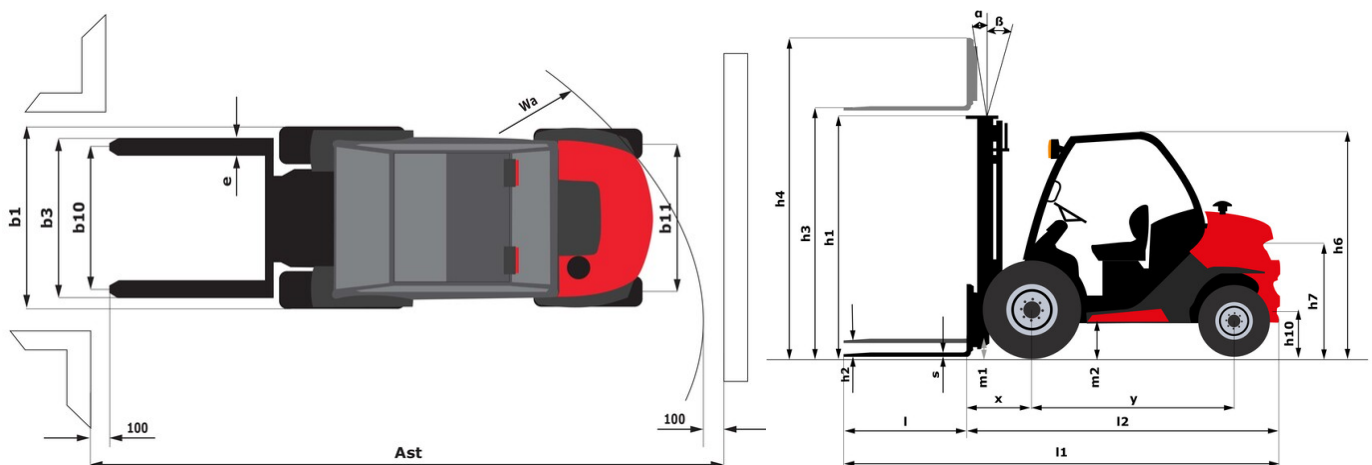
MC 30-4 ST5



 **MANITOU**
HANDLING YOUR WORLD

Technical characteristics		Metric	
1.1	Manufacturer		Manitou
1.2	Model Name		MC 30-4 ST5
1.3	Power source		Diesel
1.4	Operator type		Seated
1.5	Max. capacity	Q	3000 kg
1.6	Load center of gravity	c	500 mm
1.8	Load distance, centre of drive axle to fork	x	626 mm
1.9	Wheelbase	y	1900 mm
Weight			
	Standard mast reference of the machine		FVD 33
2.1	Service weight		4440 kg
2.2	Weight on front axle (laden) / rear axle (laden)		6650 kg / 790 kg
Wheels			
3.1	Tires type		Pneumatic
3.2	Dimensions of front wheels		12,5/80-18/12 SL R4
3.3	Dimensions of rear wheels		27x10-12 SKS
3.5	Number of front wheels / rear wheels		2 / 2
3.5.2	Number of drive wheels		4
3.6	Front wheel gauge	b10	1159 mm
3.7	Rear wheel gauge	b11	1176 mm
Dimensions			
4.7	Height of overhead guard (cabin) / Overall height of low overhead guard (Buggie version)	h6 / h6*	2155 mm / 1990 mm
4.8	Seat height/stand height	h7	1094 mm
4.19	Overall length	l1	4235 mm
4.20	Length to face of forks	l2	3085 mm
4.21	Overall width	b1	1450 mm
4.22	Forks section x width x length	s / e / l	45 mm x 100 mm / 1200 mm
4.23	Fork carriage ISO 2328 (class/form) A/B		3A
4.31	Ground clearance below mast	m1	300 mm
4.32	Ground clearance at centre of wheelbase	m2	310 mm
4.33	Aisle width for 1000 x 1200 pallet widthways	Ast	5461 mm
4.35	Turning radius	Wa	3435 mm
Performances			
5.1	Travel speed (laden / unladen)		12 km/h / 24.50 km/h
5.2	Lifting speed (laden / unladen)		0.47 m/s / 0.46 m/s
5.3	Lowering speed (laden / unladen)		0.50 m/s / 0.30 m/s
5.5	Drawbar pull (Laden)		3100 daN
5.7	Gradeability (laden)		46 %
5.10	Service brake		Hydraulic brakes by loss of pressure
	Transmission type		Hydrostatic
Engine			
7.1	Engine brand / model / nom		Kubota / D1803 CRT E5B / Stage V
7.2	I.C. Engine power rating		37 kW
7.3	Rated speed		2700 rpm
7.4	Number of cylinders / Capacity of cylinders		3 - 1826 cm³
Miscellaneous			
8.1	Type of drive control		Electronic
8.3	Oil flow rate for attachments		42 l/min
8.4	Sound level at the driver's ear according to DIN 12 053		79 dB

MC 30-4 ST5 - Dimensional drawing



Characteristics of masts and residual capacities

Full Visibility Duplex (FVD)	FVD 33	FVD 37	FVD 45
α - Mast/fork carriage tilt, forward	12	12	12
β - Mast/fork carriage tilt, backward	10	10	10
h1 - Mast lowered height	2338	2598	3038
h2 - Mast free lift	117	117	117
h3 - Mast lifting height	3300	3700	4500
h4 - Mast extended height	4090	4490	5290
Residual capacity at max height	1400	1400	500
Residual capacity with hooked-on side shift at max height	1400	1400	500
Height at max capacity	2700	2700	2800
Height at max capacity with hooked-on sideshift	2700	2700	2800

Free Lift Triplex (FLT)	FLT 34	FLT 37	FLT 40	FLT 43	FLT 47	FLT 55
α - Mast/fork carriage tilt, forward	12	12	12	12	12	6
β - Mast/fork carriage tilt, backward	10	10	10	10	10	6
h1 - Mast lowered height	1988	2088	2188	2338	2438	2788
h2 - Mast free lift	1235	1335	1435	1585	1685	2035
h3 - Mast lifting height	3400	3700	4000	4300	4700	5500
h4 - Mast extended height	4236	4536	4836	5136	5536	6336
Residual capacity at max height	1900	1500	1300	1400	430	500
Residual capacity with hooked-on side shift at max height	1800	1400	1250		400	400
Height at max capacity	2700	2600	2700	3100	2700	2500
Height at max capacity with hooked-on sideshift	2700	2600	2700		2700	2500

Full Visibility Triplex (FVT)	FVT 33
α - Mast/fork carriage tilt, forward	12
β - Mast/fork carriage tilt, backward	10
h1 - Mast lowered height	1878
h2 - Mast free lift	129
h3 - Mast lifting height	3300
h4 - Mast extended height	4079
Height at max capacity	2500

Equipment

Standard
Closed cab
Differential Lock
Easy link
Ecostop
Front tires - Rough terrain profil
Inching Pedal
Open cab
Oscillating rear axle
PVC mechanical suspension seat
Rear tires - Rough terrain profil
Rear working light
Switch 2WD / 4WD

Optional
Audio warning on reverse
Enclosed Cab with Heat and A/C
Front and Rear - Work Lights
Hydraulic kit 3rd and 4th elements
Joystick Switch and Move (JSM)
LED Rotative Beacon
Load backrest
Open cab
Pneumatic seat
Sideshift carriage



Head Office

B.P. 249 - 430 rue de l'Aubinière

44150 Ancenis Cedex - France

Tel: +33 (0)2 40 09 10 11 - Fax: +33 (0)2 40 09 10 97

www.manitou.com



This publication provides a description of the configuration versions and options for Manitou products, which may differ for equipment. The equipment presented in this brochure may be part of a series, as an option, or it may not be available, depending on the versions. Manitou reserves the right, at any time and without notice, to amend the specifications described and represented. The specifications provided do not bind the manufacturer. For more details, please contact your Manitou agent. This is not a contractually binding document. The presentation of the products is not contractually binding. List of specifications non-exhaustive. The logos as well as the visual identity of the company are owned by Manitou and cannot be used without authorisation. All rights reserved. The photos and diagrams contained in this brochure are only provided for consultation and information purposes.

MANITOU BF SA - Limited company with board of directors - Share capital: 39,668,399 euros - 857 802 508 RCS Nantes